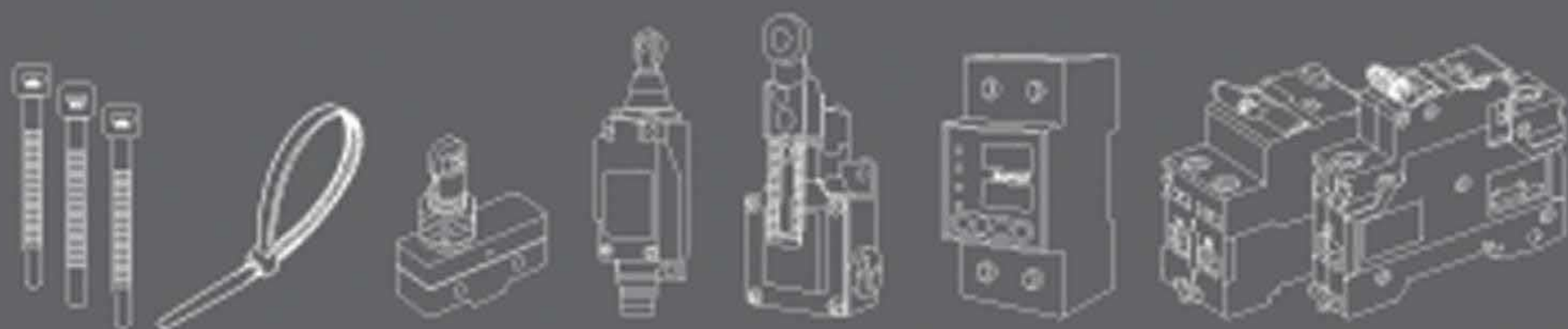


iSWITCH ele.

Everyday's Solution



General Catalog
2023-2024

Made to **Last** . . .



Everyday's **Solution**

Motivation to Meet our Challenge

Isfahan Switch Manufacturing Company, ISWITCH, with an aspiring team of employees, mainly engineers, assembling individuals, quality assurance team & warehousing plus sales team is a national market leader in manufacturing & supplying various types of push-button switches, micro switches & indicators as well as control box switches & instruments. The company also sets the standard in the measurement of electrical & mechanical requirements in 2006, ISWITCH is today a strong & reliable partner of all requirements of switches & indicators industry.

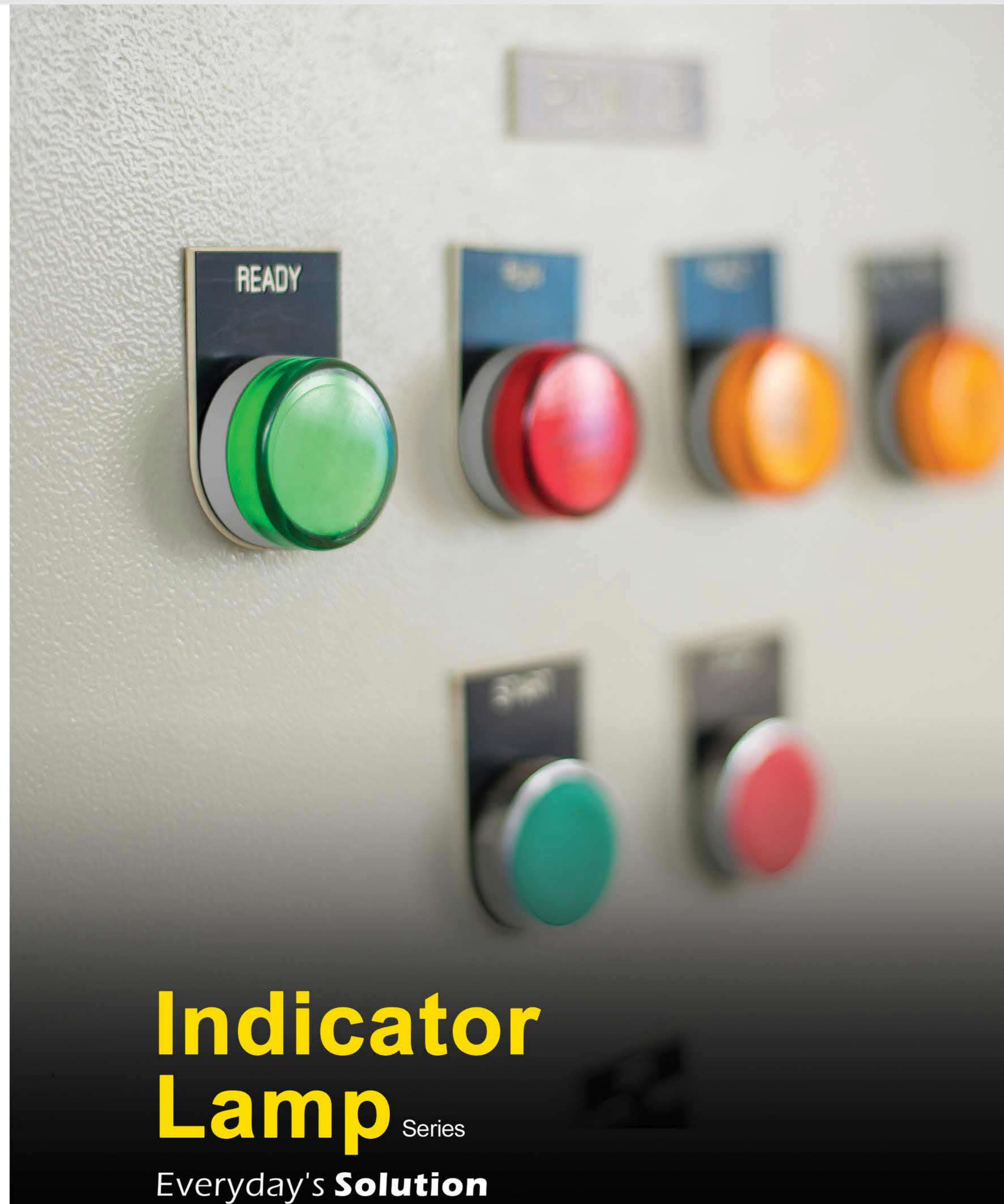
ISWITCH offers a complete range of electrical & electromechanical devices; pushbuttons, signal indicators, limit & micro switches, meters, control box switches. Our voltage/ ampere/ temperature/ frequency meter indicators are available in the measuring range of 0-500 VAC, 0-500 Amperes. These instruments come supplied with standardized current or voltage output signals (Also intrinsically safe per IEC IEN), interfaces & protocols for various field businesses. Thanks to a board of portfolio of high-precision instruments & comprehensive services, ISWITCH ensures flexibility & the highest delivery performance.

Every year, over 4 million quality products, both standard & customer-specific solutions are delivered in batches of 1 to over 10,000 units. With numerous wholly-owned subsidiaries & partners, ISWITCH completely & reliably supports its customers. Our experienced engineers & sales experts are your competent & dependable contacts locally.

Having assessed international & national quality certificates, today, our team is making all its efforts to meet all its efforts to meet all requirements of IEC/EN60947-5-1, so that a reliable product together with a strong & real customer-oriented relationship happens and all parties involved in this mutual business relation find the sense of satisfaction, inspiration & motivation.

Content


Indicator Series	3 - 8
LED Lamps	
Digital Meters	
Push Button Series	9 - 21
On/Off Buttons	
Luminated Buttons	
Selector Switches	
Emergency Buttons	
Miniature Push Buttons	
Joystick Switches	
Accessories	
Control Box Series	22 - 30
Control Boxes	
Lifting Control Switches	
Limit Switches	31 - 44
IS-Series	
ISC-Series	
ISW-Series	
Micro Switches	45 - 56
ISM Series	
ISM-15X Series	
Miniature Circuit Breakers	57 - 59
Technical Data	
Characteristics Curve	
Temperature Compensation	
Connection	
Mounting & Dimension	
Residual Current Circuit Breakers	60 - 62
Technical Data	
Detection Waveform Type and Classification	
Connection	
Mounting & Dimension	
Intelligent Voltage-Current Protector 1P/3P	63 - 66
Terminal Series	67 - 87
Cord End Terminals	
Solderless Terminals	
Splice Connectors	
Heat Shrinkable Terminals	



Indicator Lamp Series

In SL22 (LED) series of indicators is utilizing an LED shining chip as a light source. Thanks to the long life low consumption, small volume, and lightweight, it is a product replaced the older kind of incandescent lamp and indicator neon lamp by new ones, enjoying brilliant features: high brightness, perfect reliability, unique design and innovatively manufactured. To fit in with top quality and aesthetic demand of users, we developed SL22, double color lamp, position indicator, shining buzzer and mini short indicator, Metering indicators, which proudly meet all the requirements of international standard lamp shape, made of polycarbonate with high intension, enjoying better anti-surge performance, and bolt-type connector designed has already made it safer, convenient and easy to use. The signal lamp series are suitable to the electrical appliance circuit of AC voltage up to 380V, 50Hz or 60Hz, DC voltage below 380V, used as kinds of indication signal, warning signal, accident signal, and other signals.

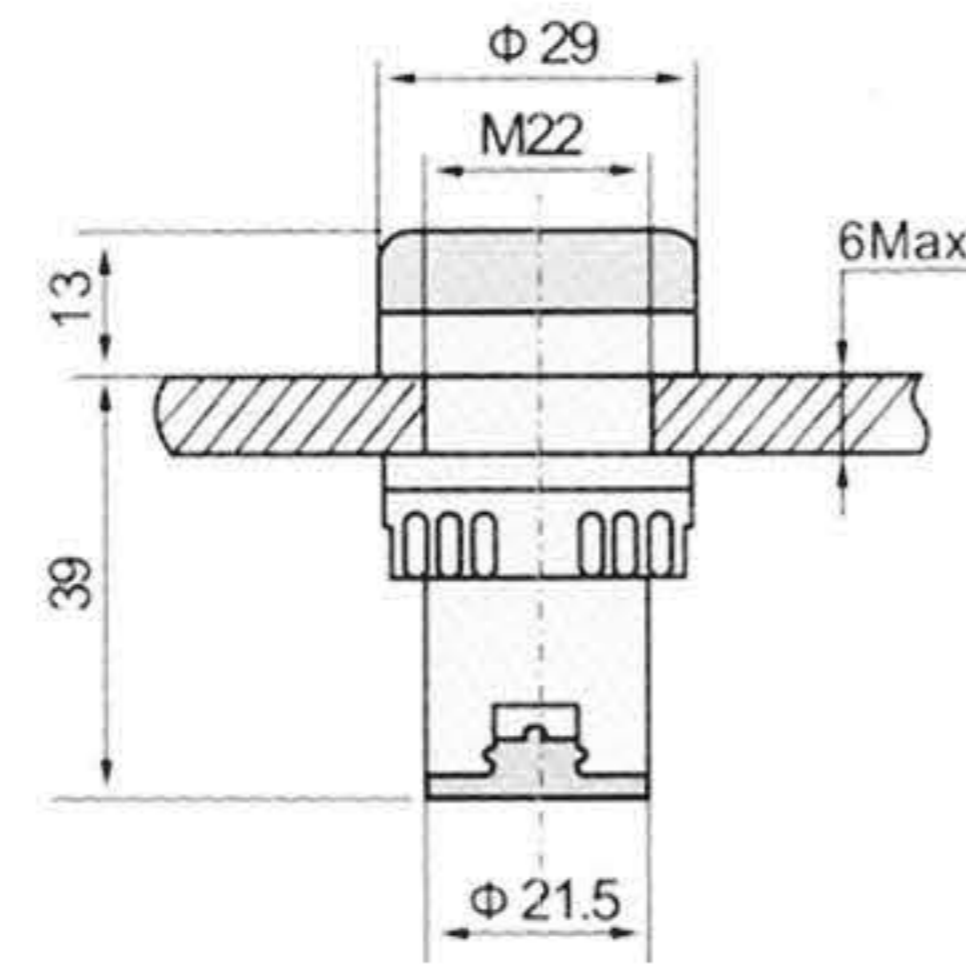
SL22-22DS
Signal Indicator

Colors : 

SMD



Voltage :
21-DC.AC6V
22-DC.AC12V
23-DC.AC24V
24-DC.AC36V
25-DC.AC48V
26-DC.AC110V
27-DC.AC127V
31-AC220V
32-AC380V



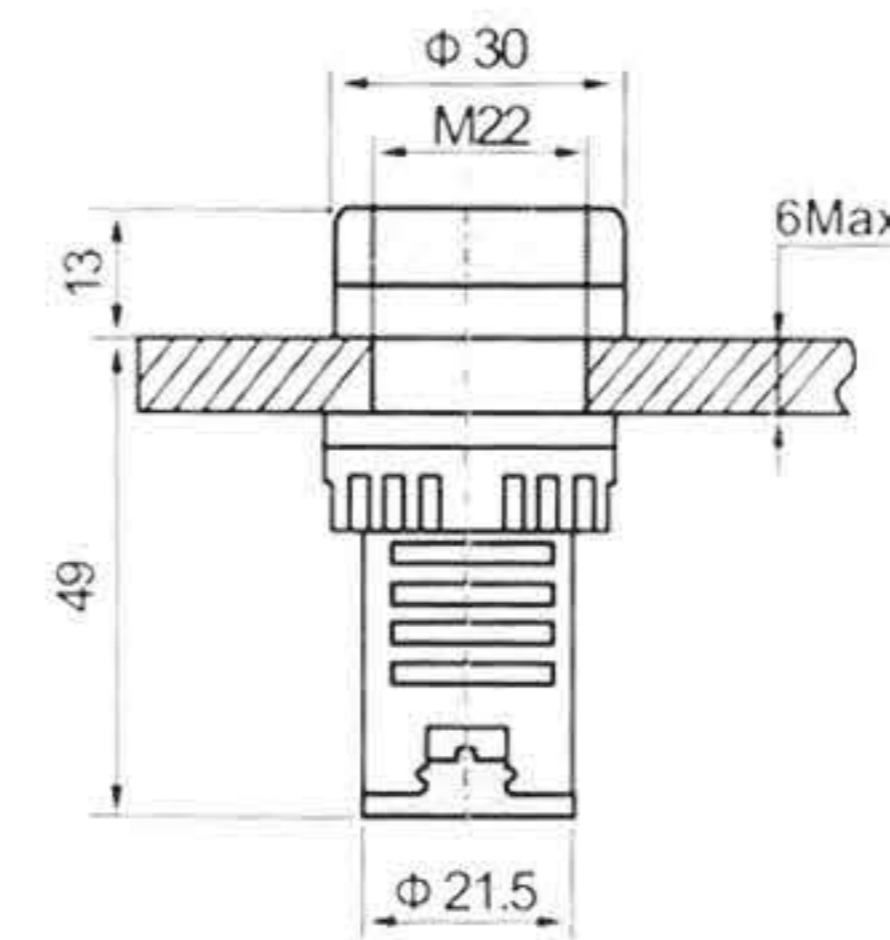
SL22-22D
Signal Indicator

Colors : 

LED



Voltage :
28-DC220V



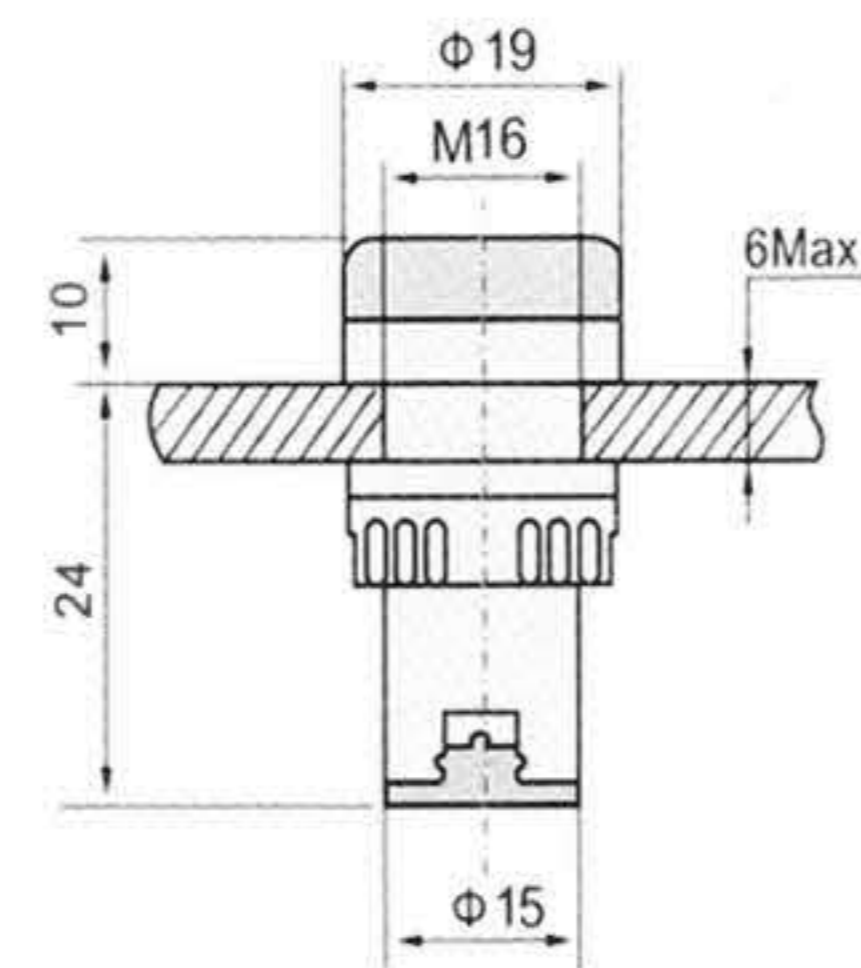
SL22-16DS
Signal Indicator

Colors : 


LED



Voltage :
21-DC.AC6V
22-DC.AC12V
23-DC.AC24V
24-DC.AC36V
25-DC.AC48V
26-DC.AC110V
27-DC.AC127V
31-AC220V
32-AC380V



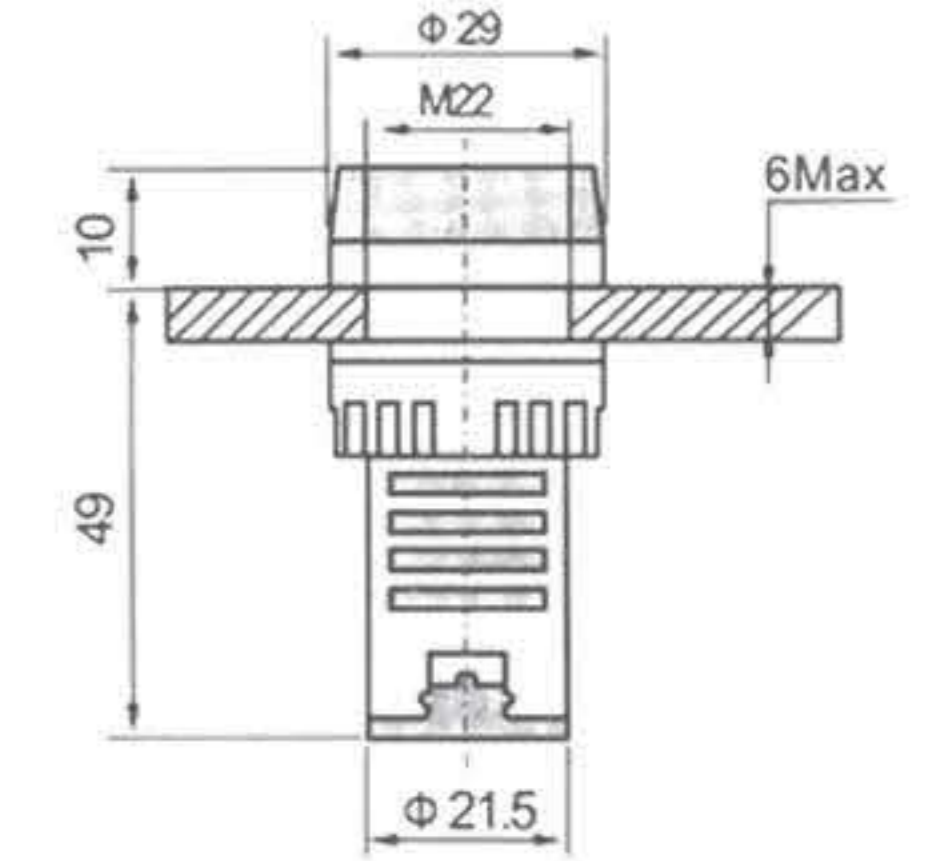
SL22-22MSB
Flash Buzzer

Color : 

LED



Voltage :
21-DC.AC6V
22-DC.AC12V
23-DC.AC24V
24-DC.AC36V
25-DC.AC48V
26-DC.AC110V
27-DC.AC127V
31-AC220V
32-AC380V



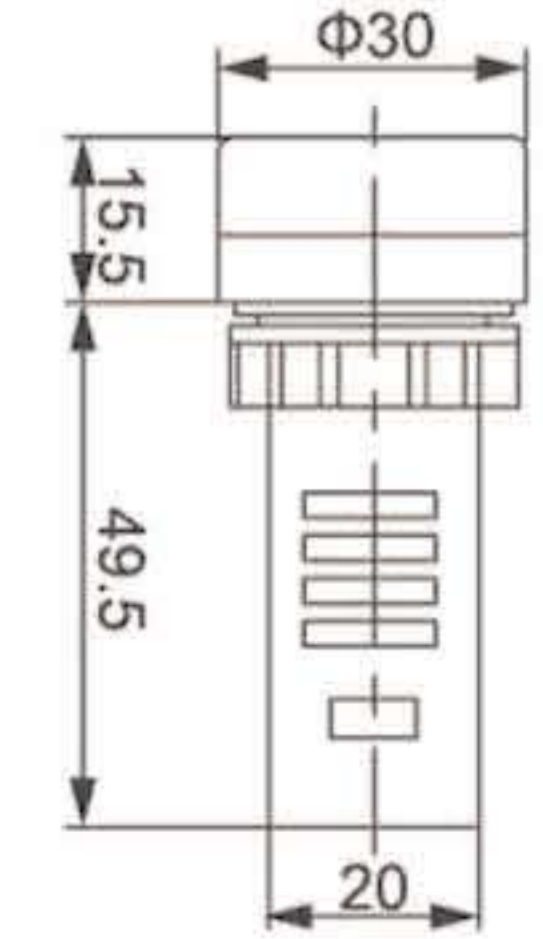
Double Color
Indicator

Color : 

LED



Voltage :
21-DC.AC6V
22-DC.AC12V
23-DC.AC24V
24-DC.AC36V
25-DC.AC48V
26-DC.AC110V
27-DC.AC127V
28-DC.220V
29-FD.380V
31-AC.220V
32-AC.380V



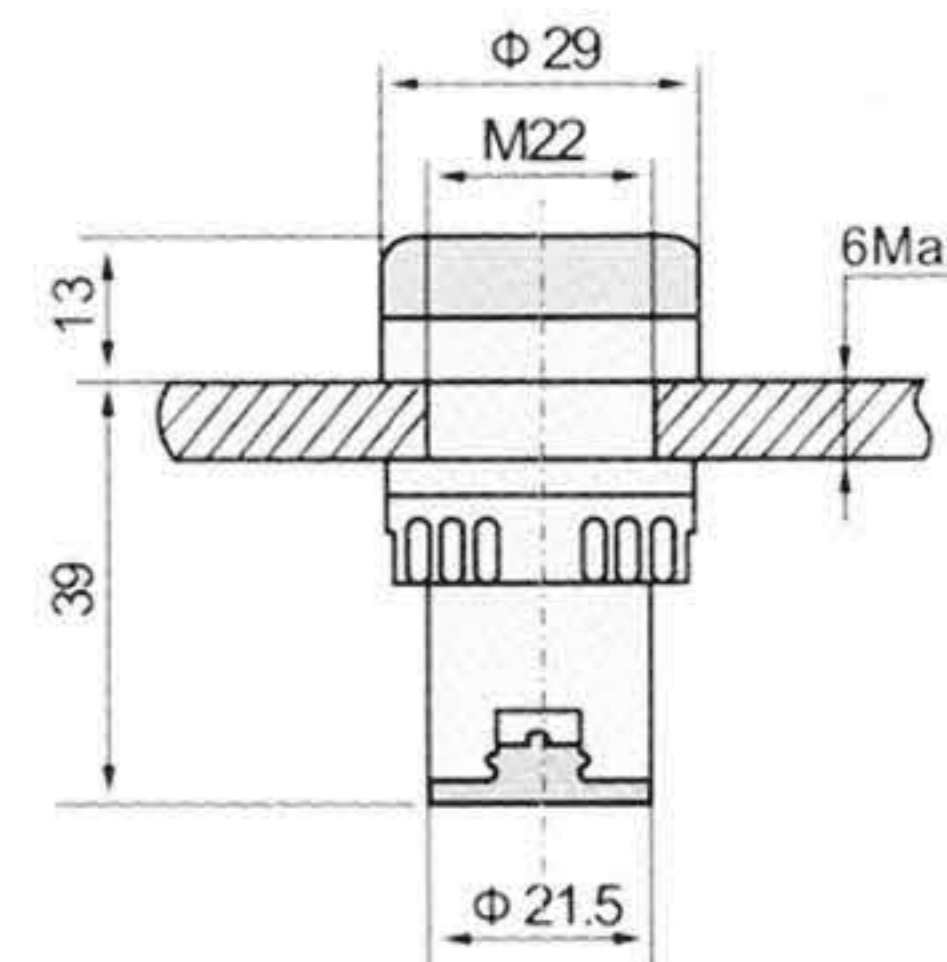
Voltage
Indicator

Colors : 

LED



Specifications :
Input: (50-240VAC)



Amper
Indicator

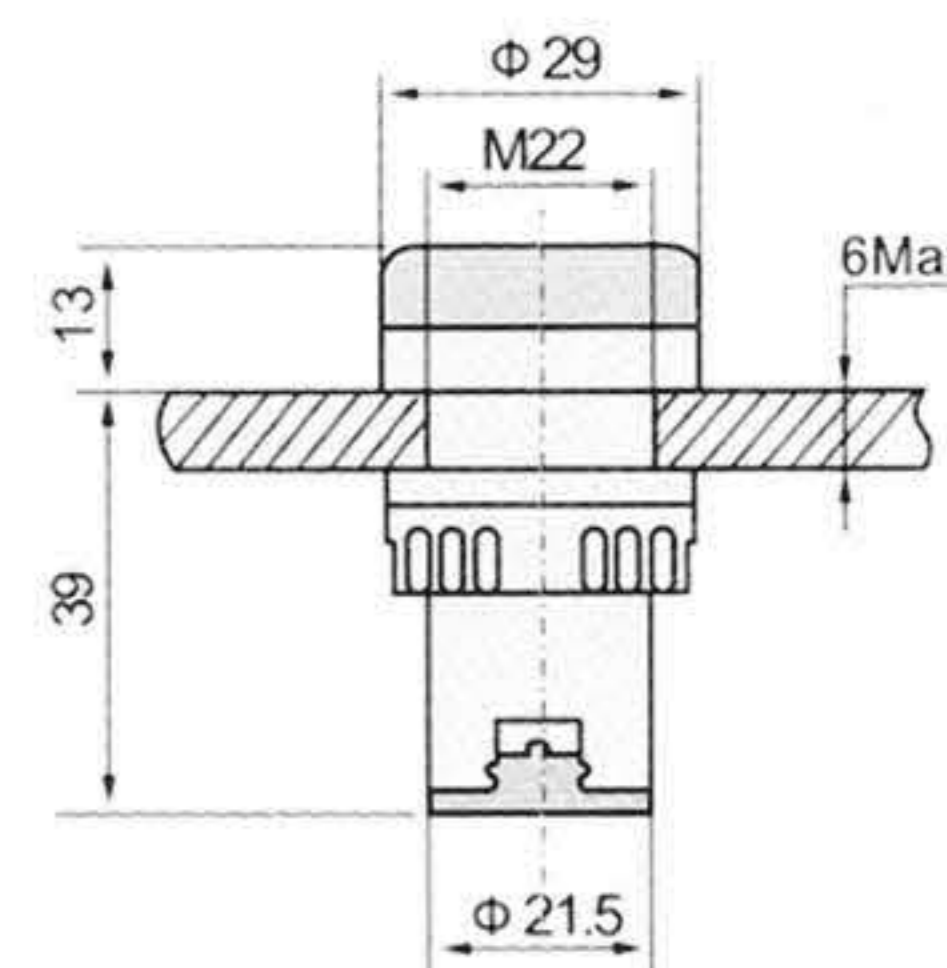
Colors : 

LED

CT at higher amper is available on request.



Specifications :
Input : (230-240VAC)
CT : (0-100A)



Amper / Voltage Indicator

Colors :



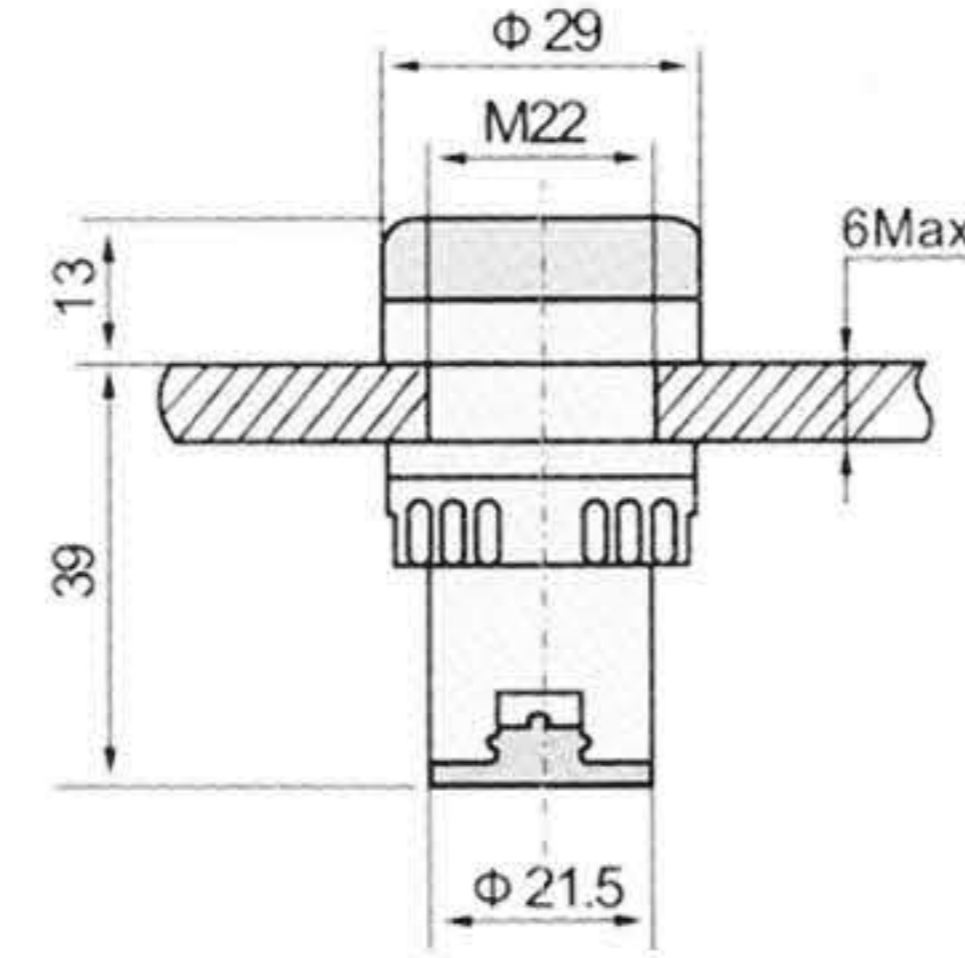
LED

CT at higher amper is available on request



Specifications :

Input: (50-240VAC)
CT : (0-100A)



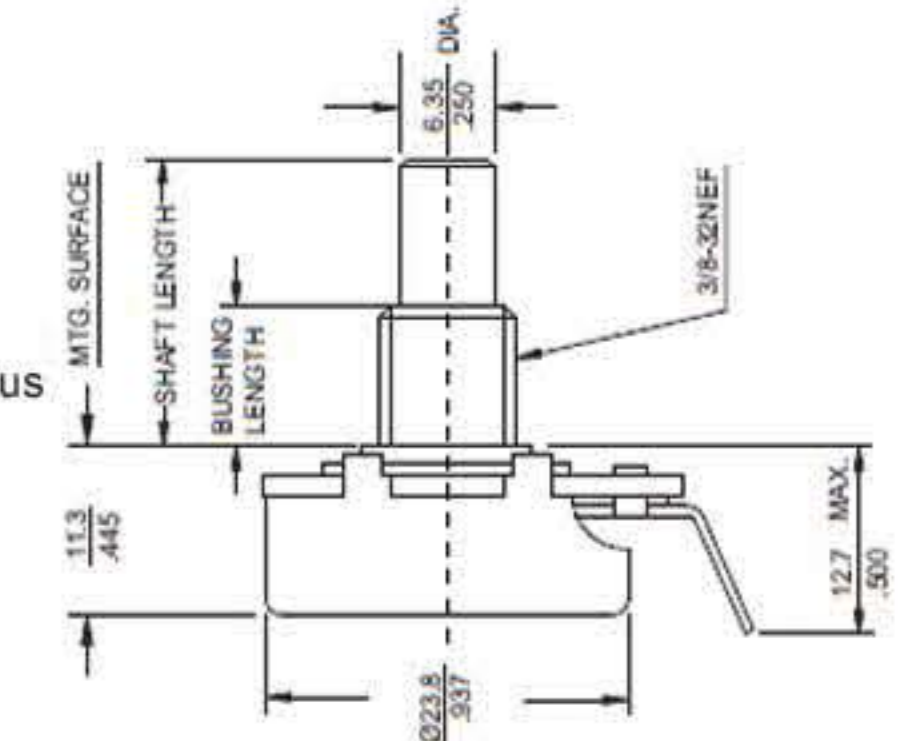
Potentiometer Rotary Operating Mechanism

Higher resistor is available on request



Specifications :

0-10 K Ohm
Ø: 22 mm
OT: (-20 ~ + 55) Celsius



Amp/Volt/Freq Indicator

Colors :

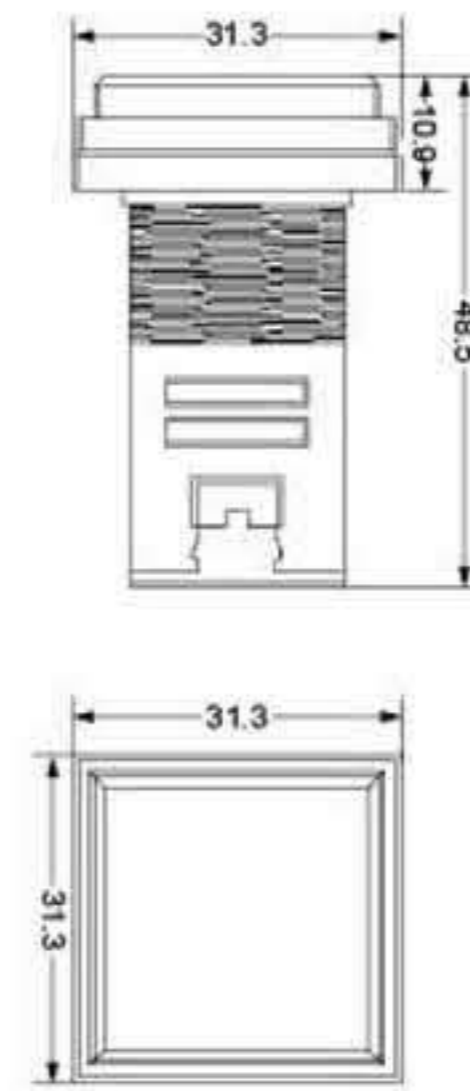


LED



Specifications :

Input: AC50-500V
CT: 0-100A
Freq: 0-99Hz



Counter Indicator

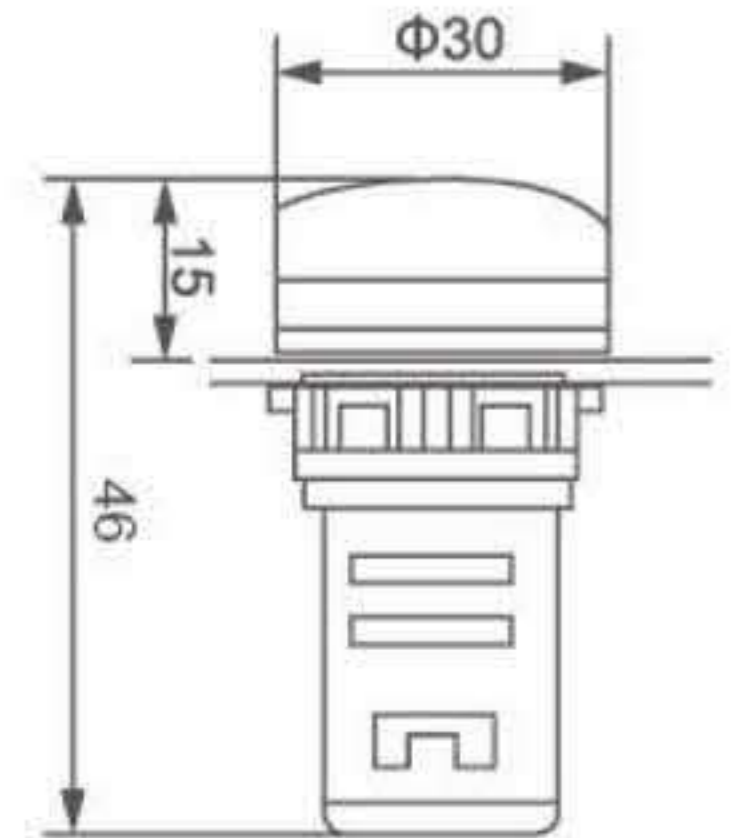
Color :



LED



Specifications :
Range: 0-999999 digit



Temperature Indicator

Colors :



LED

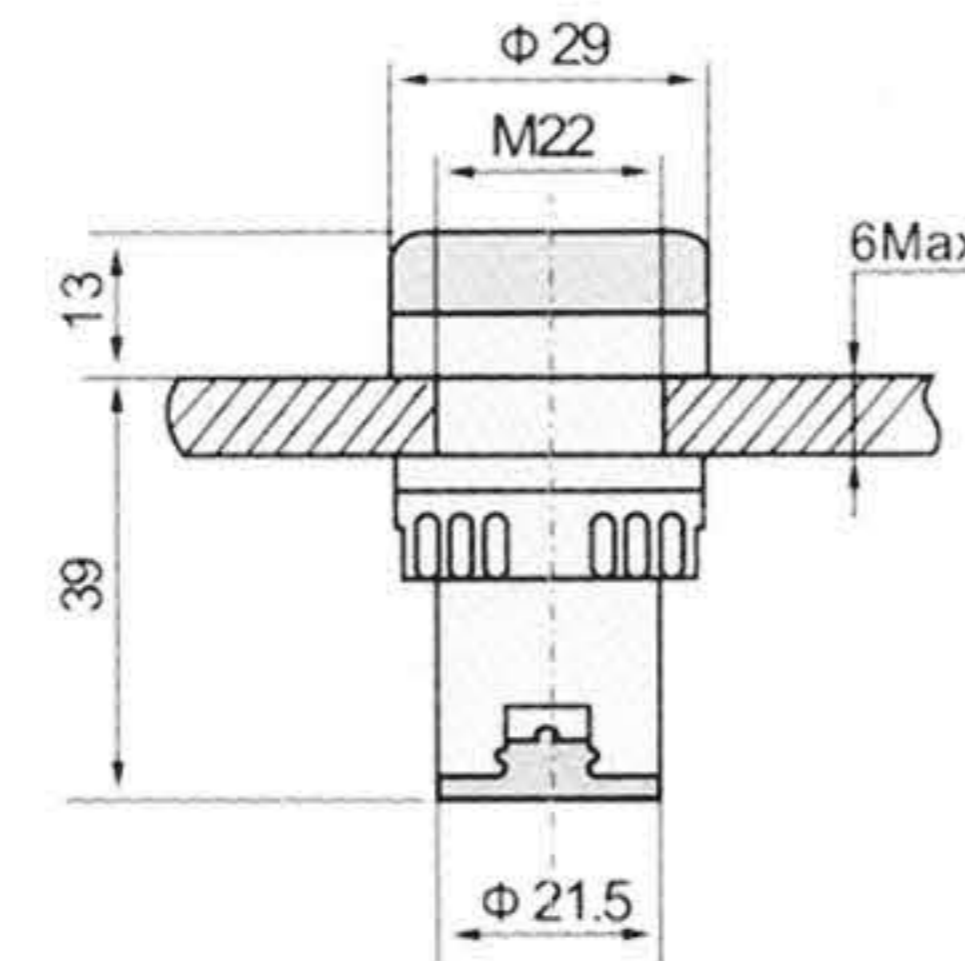
Higher temperature is available on request



Specifications :

Input : (230-240VAC)
Temp : (0-110°C)

Sensor wire length up to 500cm on request



Hour/Minute Indicator

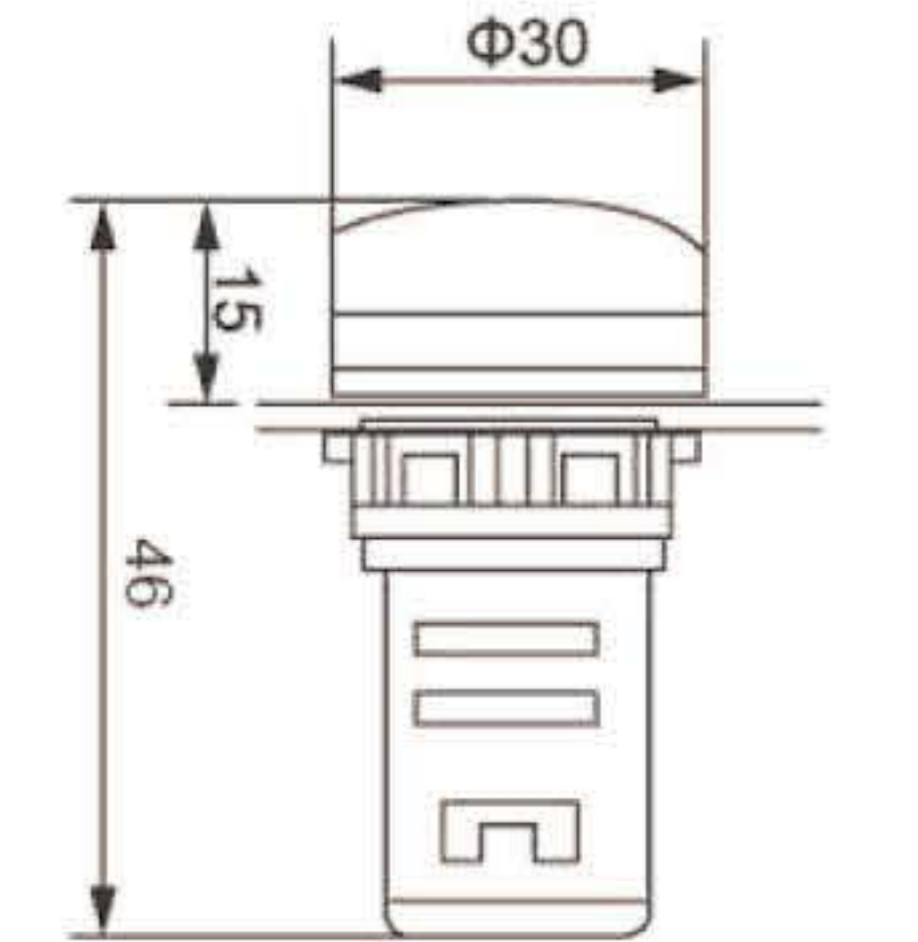
Color :



LED



Specifications :
T: 0-999H



Frequency Indicator

Colors :



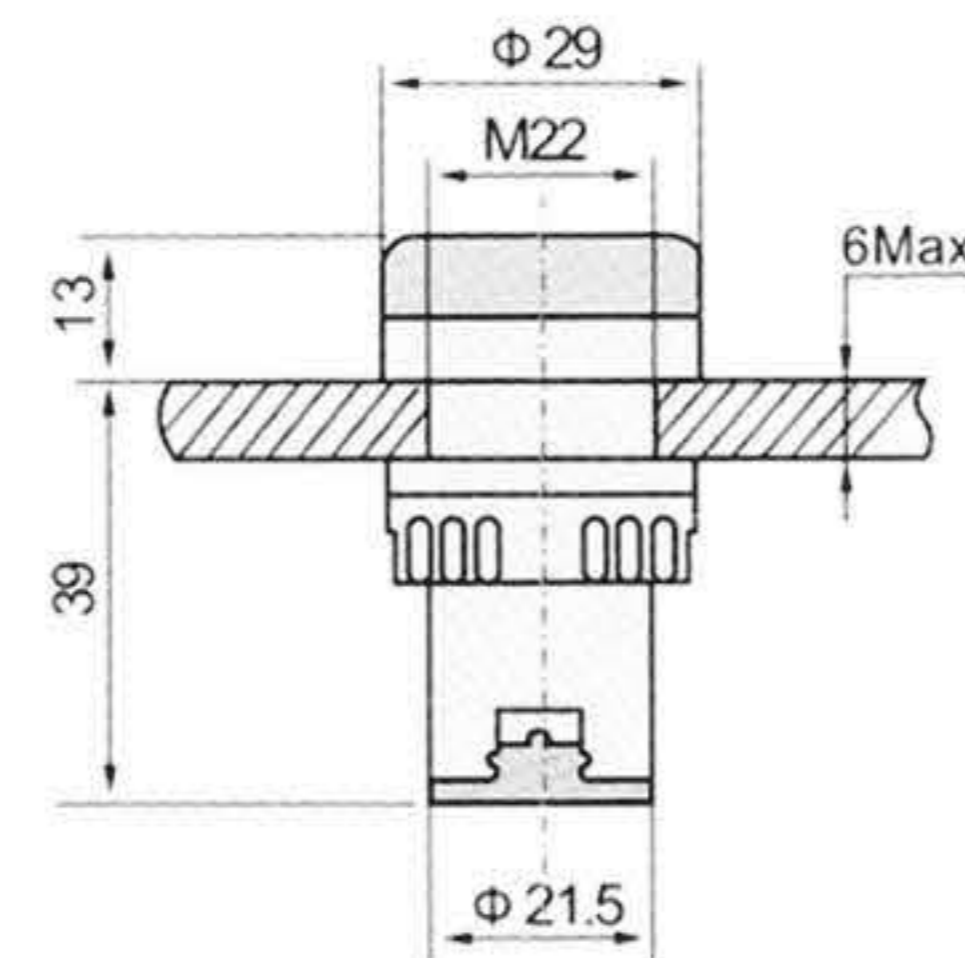
LED

Higher frequency is available on request



Specifications :

Input : (230-240VAC)
Freq : (20-100HZ)



Power Indicator

Colors :

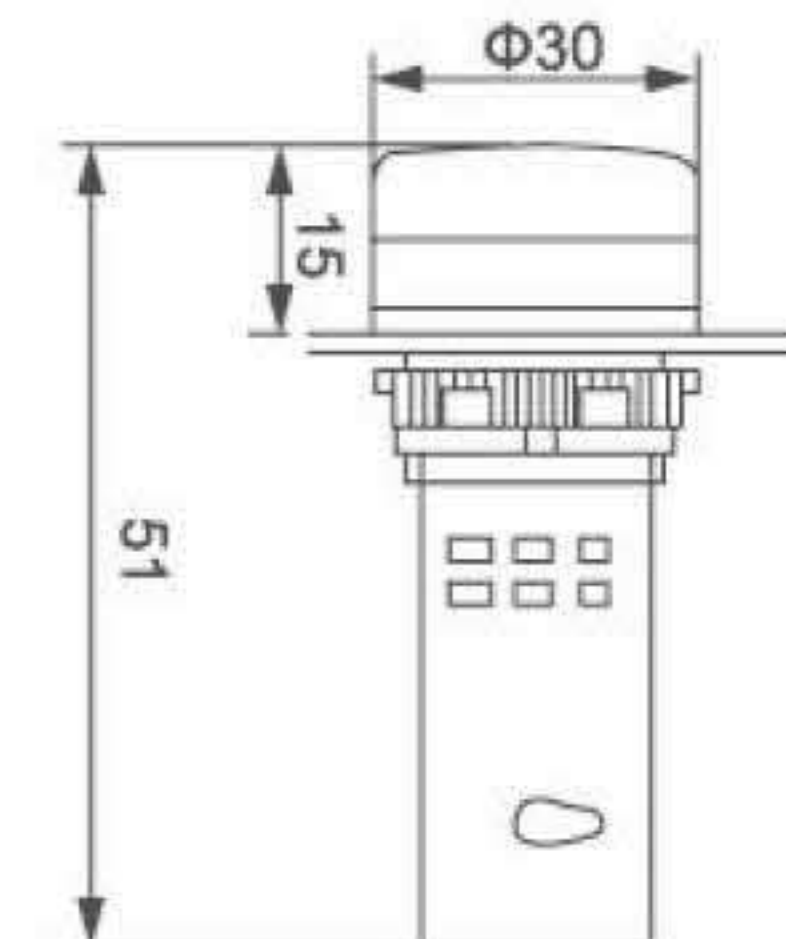


LED



Specifications :

MAX: AC220V/26KW
MAX: AC380V/45KW



SQV-SL22
Voltage Indicator

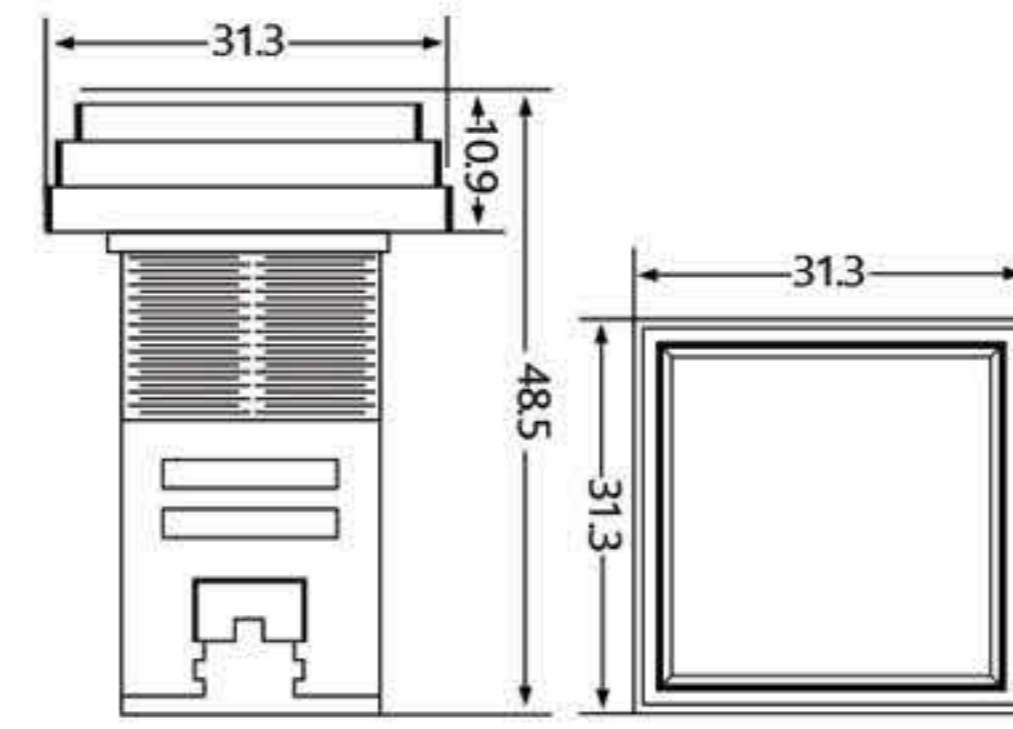
Colors :



LED



Specifications :
AC50-500V



SV-SL22
Voltage Indicator

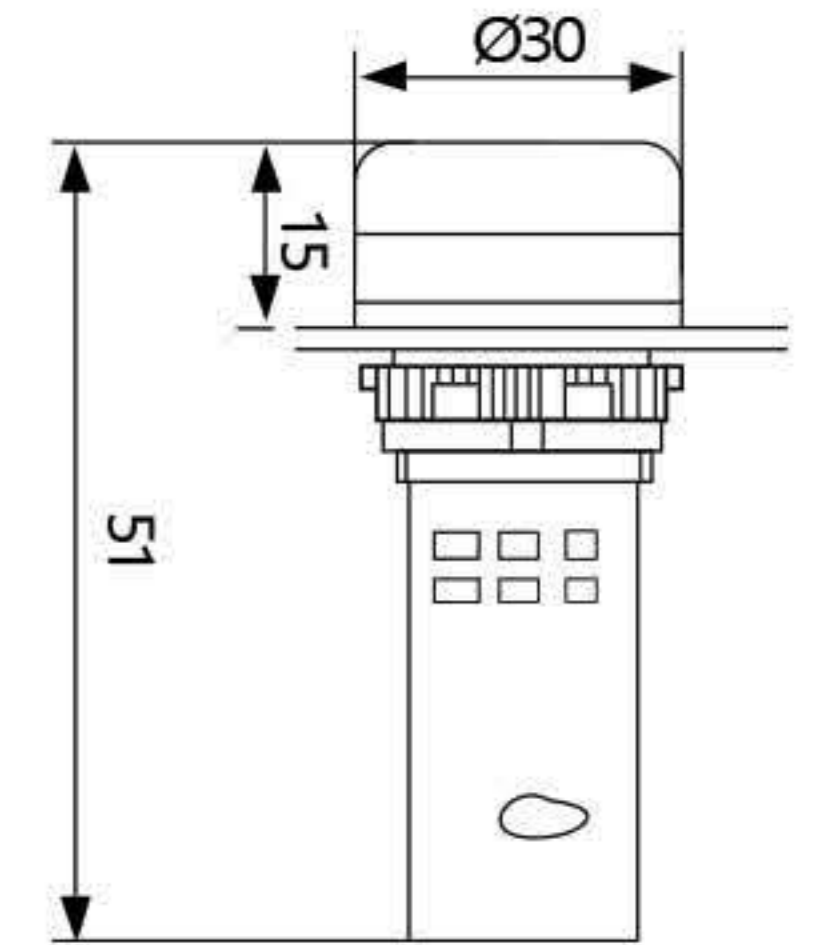
Color :



LED



Specifications :
AC50-500V



SQT-SL22
Temperature Indicator

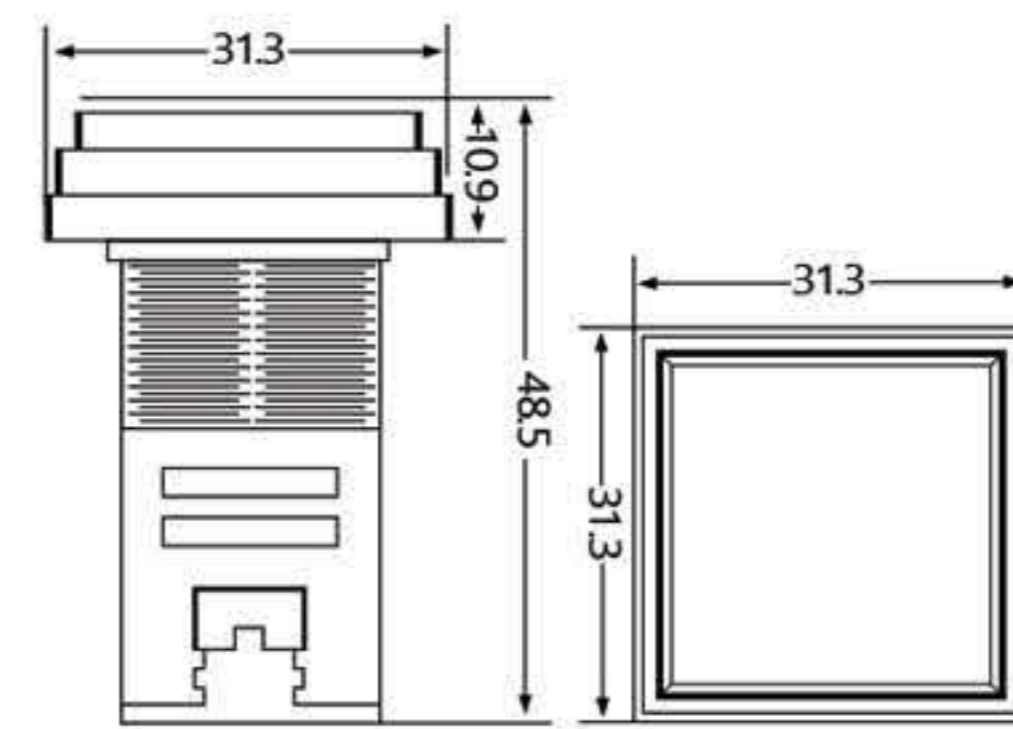
Colors :



LED



Specifications :
-20°C~+199°C
AC50-500V



ST-SL22
Temperature Indicator

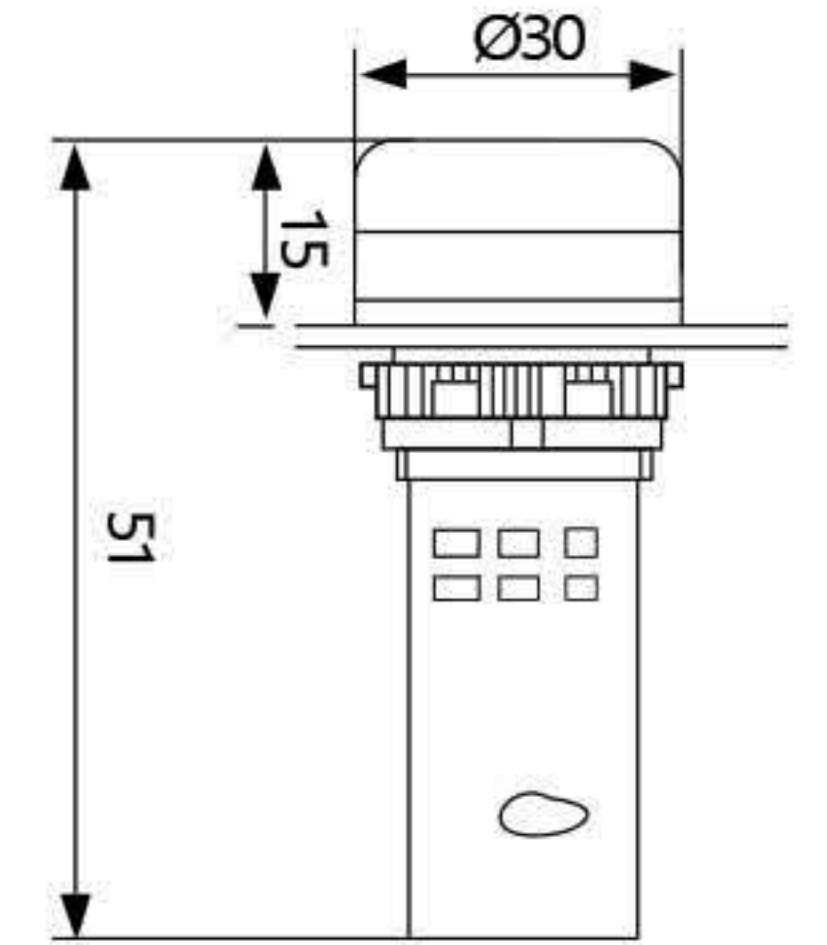
Color :



LED



Specifications :
-20°C~+199°C
AC220-380V



SQF-SL22
Frequency Indicator

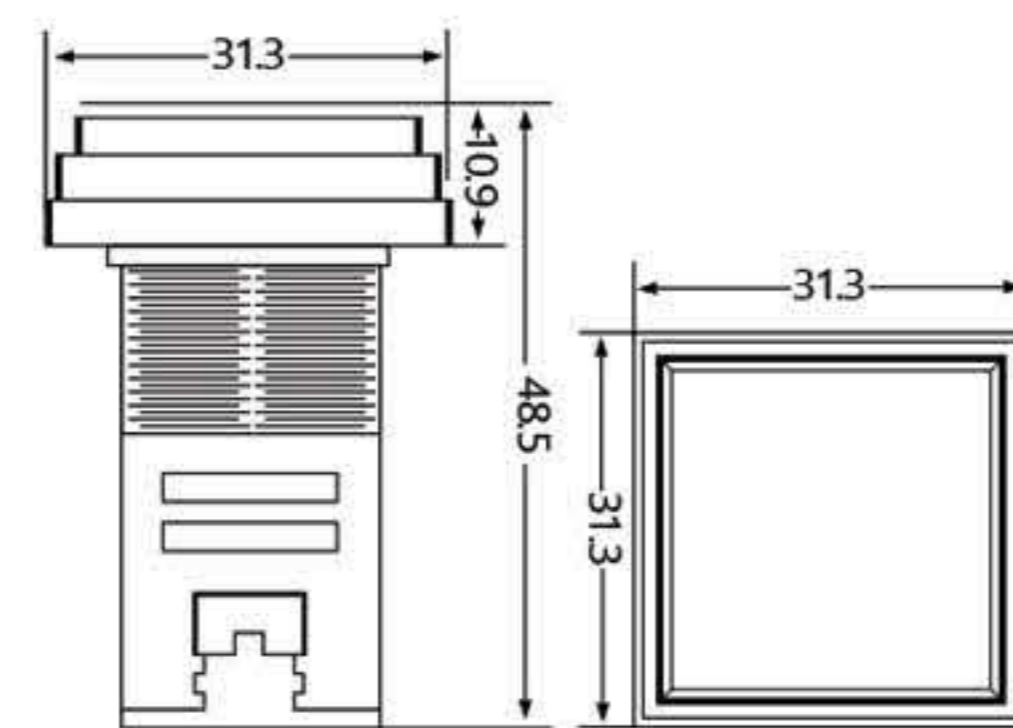
Colors :



LED



Specifications :
0-99Hz
AC50-500V



SF-SL22
Frequency Indicator

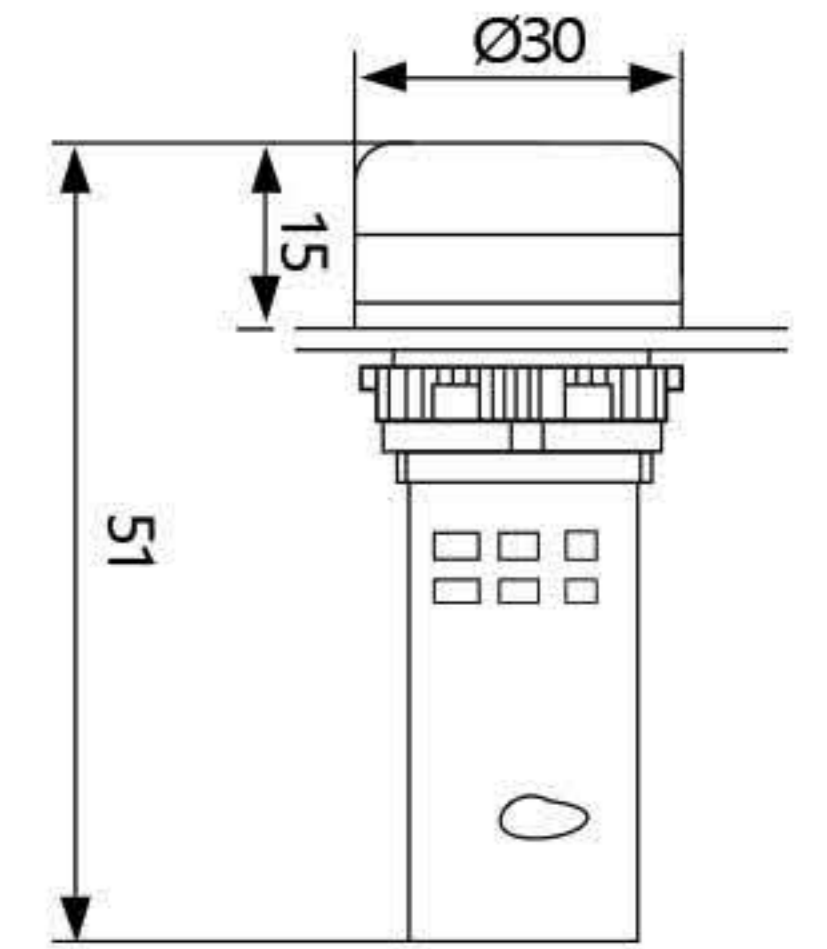
Colors :



LED



Specifications :
0-99Hz
AC50-500V



SQA-SL22
Amper Indicator

Colors :

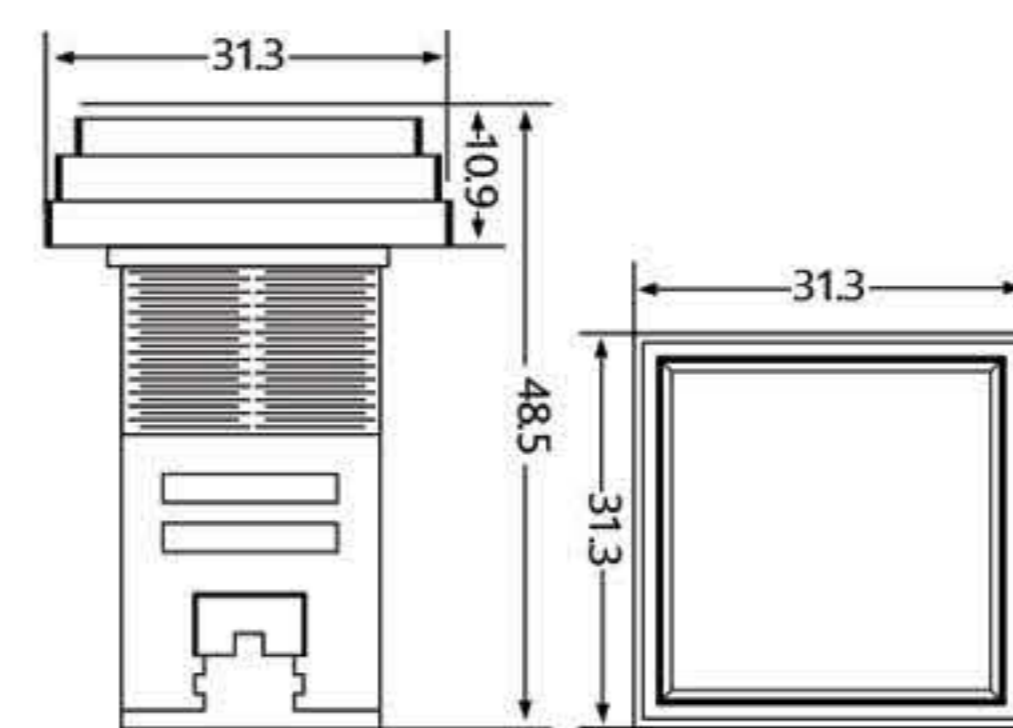


LED

CT at higher amper
is available on request



Specifications :
0-100A
AC50-500V



SQVA-SL22
Amper/Voltage Indicator

Colors :

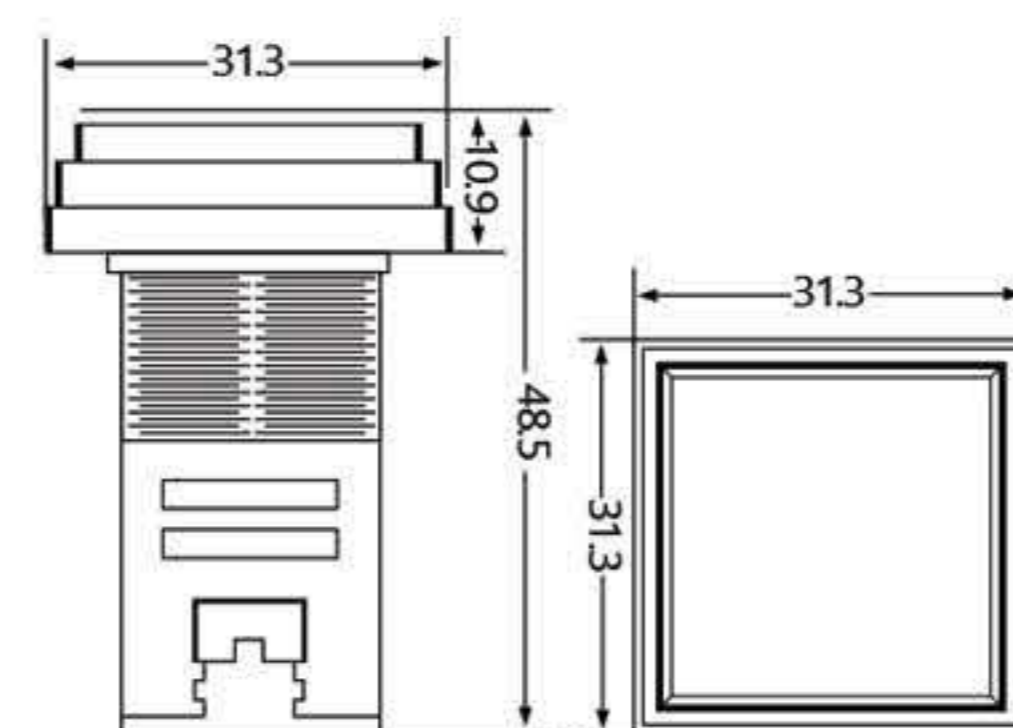


LED

CT at higher amper
is available on request



Specifications :
0-100A
AC50-500V



SA-SL22
Amper Indicator

Colors :

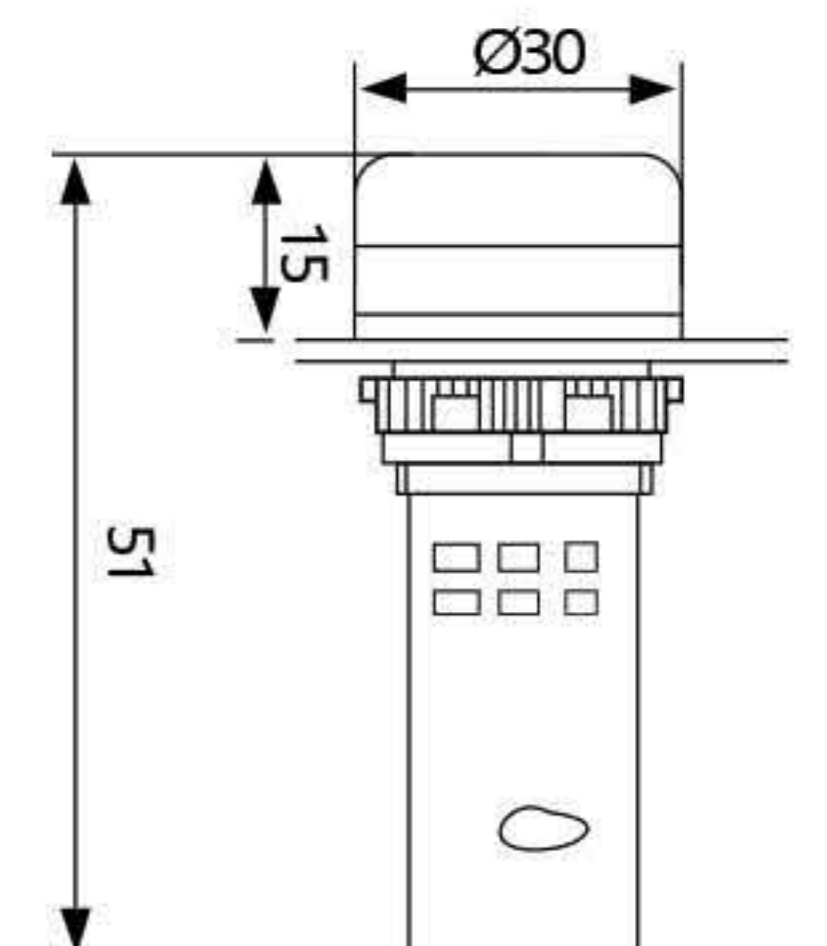


LED

CT at higher amper
is available on request



Specifications :
0-100A
AC50-500V




Push Button Series

The push-button series are used in controlling circuit of AC50Hz or 60Hz, the voltage to 660V, DC voltage below 400V, it is used for controlling signal and interlocking. The main body adopts zinc alloy and high-grade anti-flaming plastic, the contact adopts special silver alloy, so it enjoys high anti-electrical erosion property. Our products comply with IEC60947-5-1, all products have gained CE.



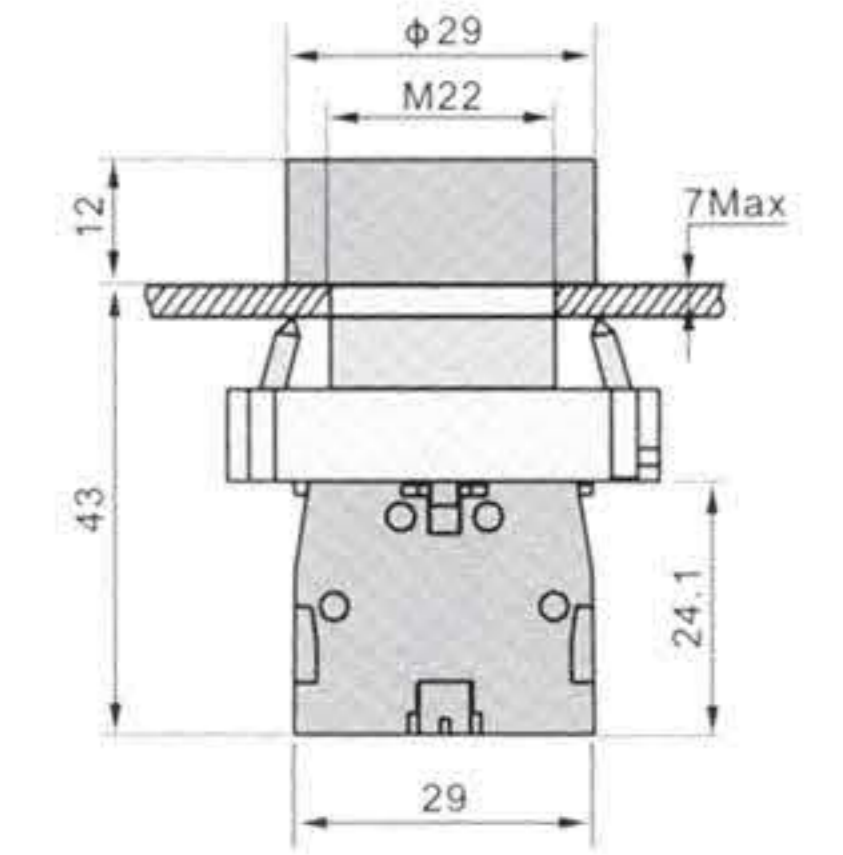
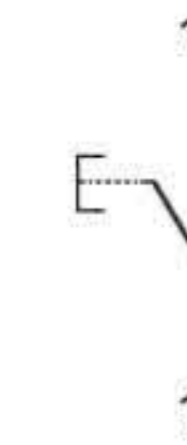
Push Button Series
Made to Last . . .

XB2-BA31

Color : 
Contact : N/O



Circuit :

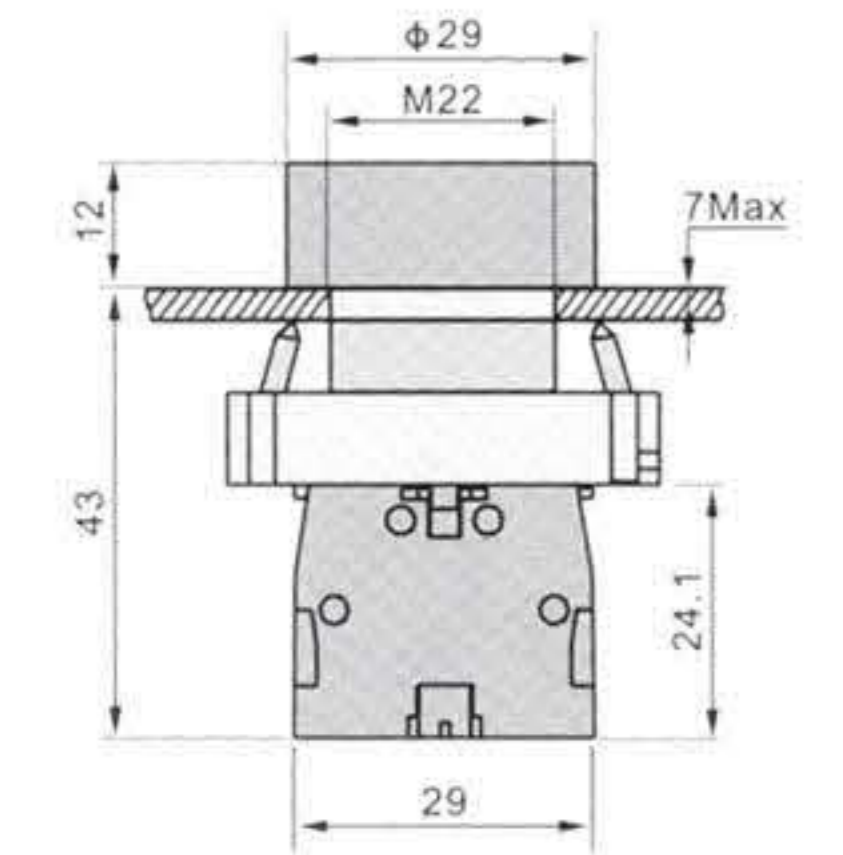
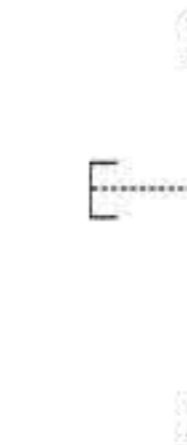


XB2-BA42

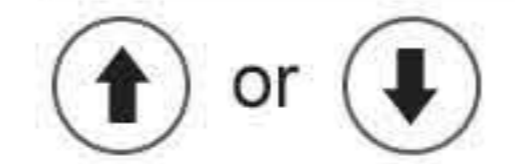
Color : 
Contact : N/C



Circuit :

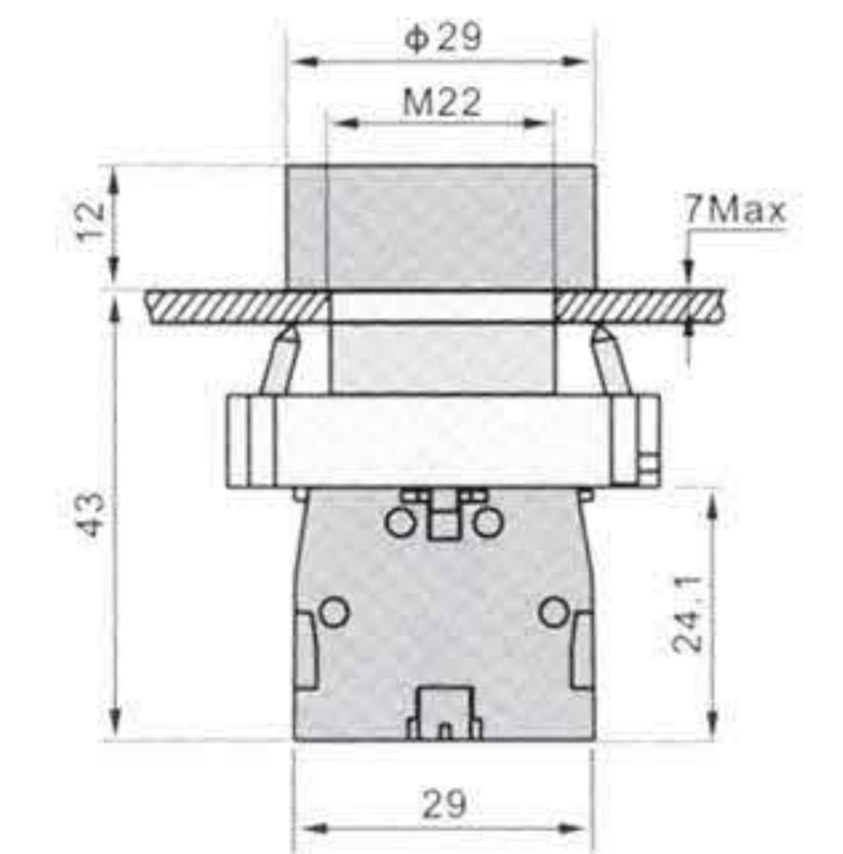


XB2-BA3341


Color : 
Contact : N/O



Circuit :

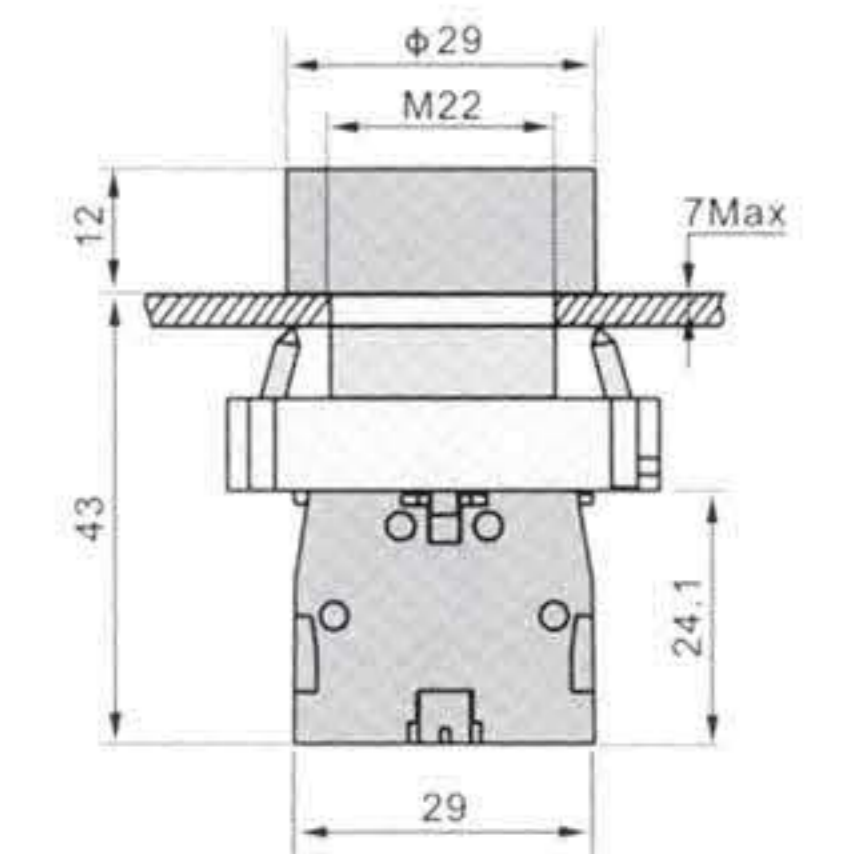


XB2-BA3351


Color : 
Contact : N/O



Circuit :

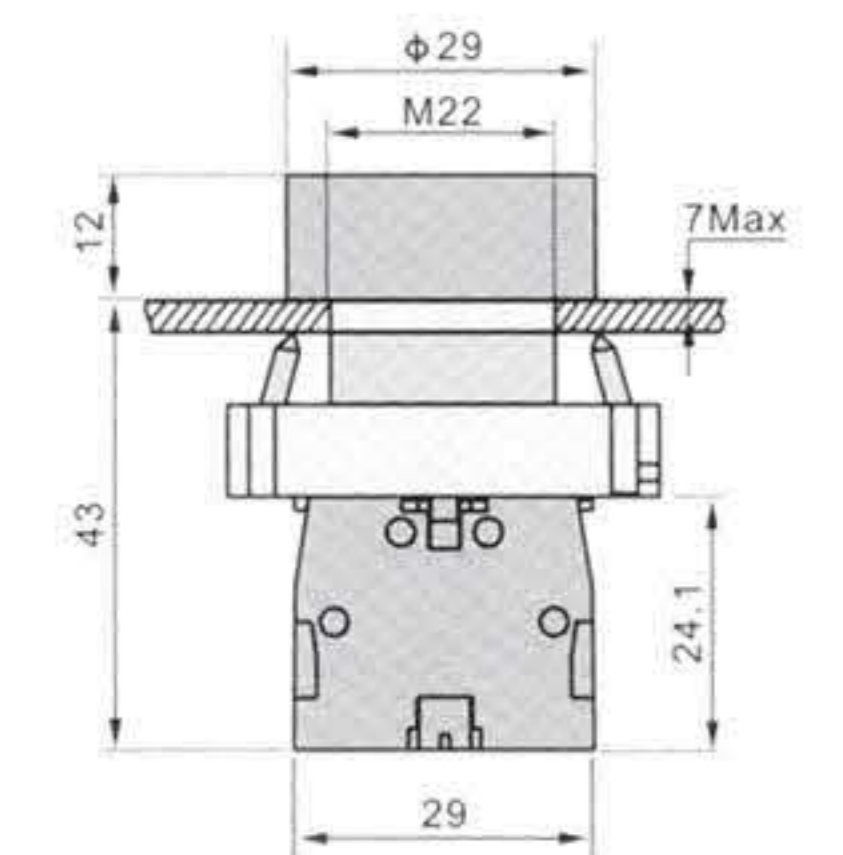
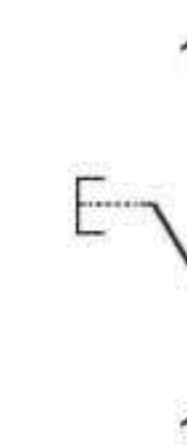


XB2-BA5331

Color : 
Contact : N/O



Circuit :

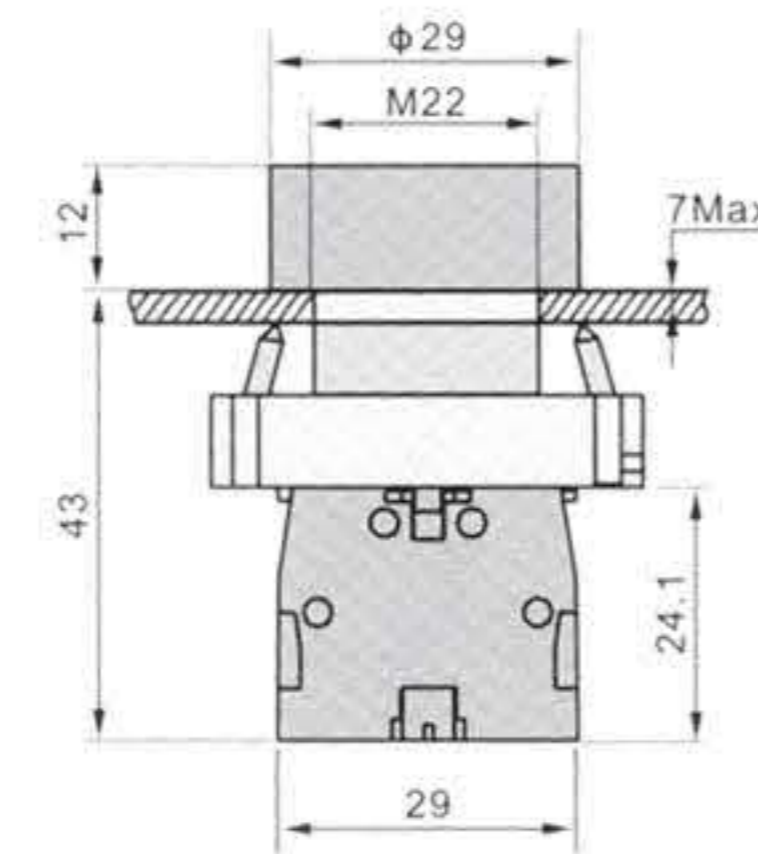


XB2-BA4342



Color :  
Contact : N/C



Circuit :

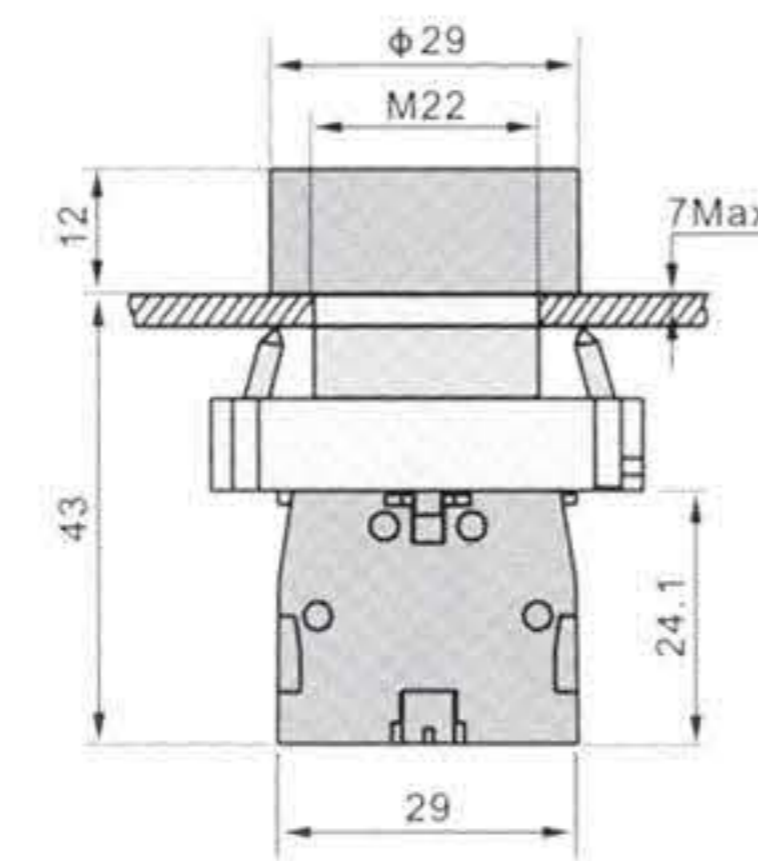
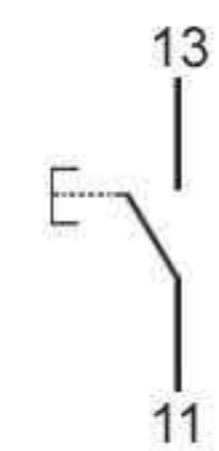


XB2-BA3311



Color :  
Contact : N/O



Circuit :

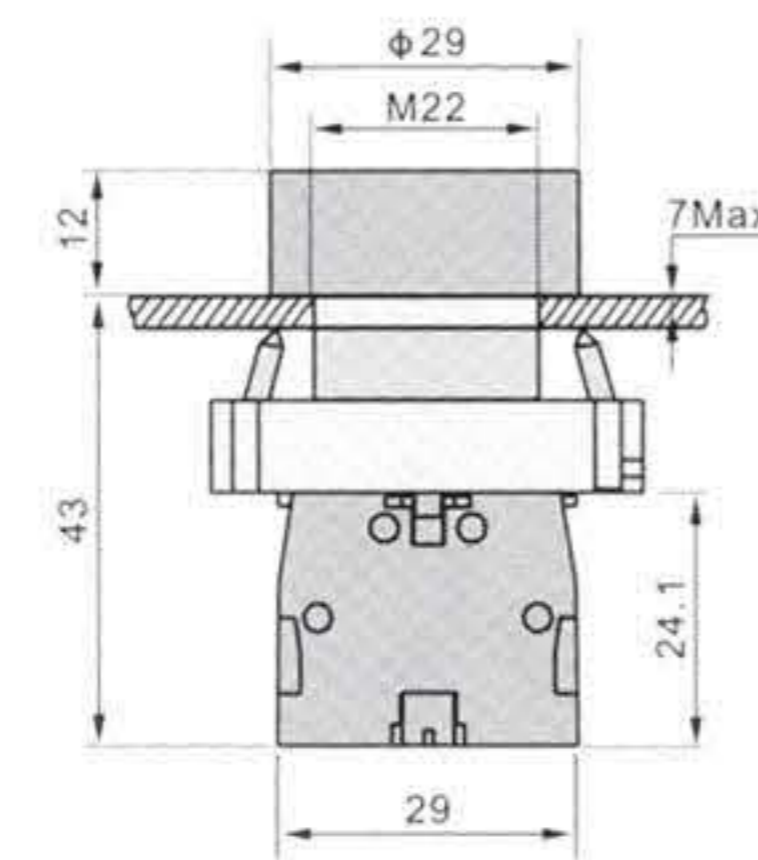


XB2-BA3361


Color :  
Contact : N/O



Circuit :



XB2-BW3361

Colors : 
Contact : N/O

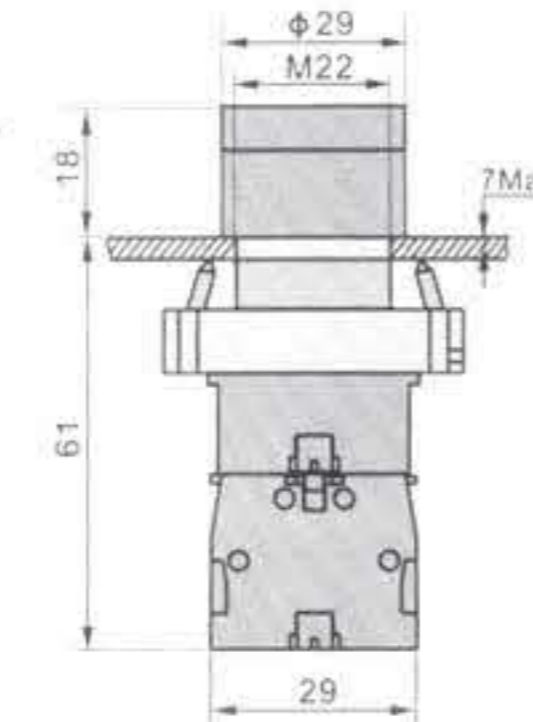
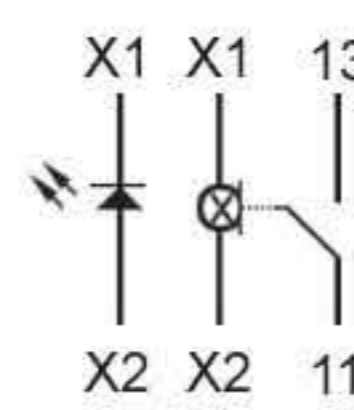
LED




Voltage :

- 21-DC.AC6V
- 22-DC.AC12V
- 23-DC.AC24V
- 24-DC.AC36V
- 25-DC.AC48V
- 26-DC.AC110V
- 27-DC.AC127V
- 31-AC220V
- 32-AC380V

Circuit :



XB2-BW3462

Colors : 
Contact : N/C

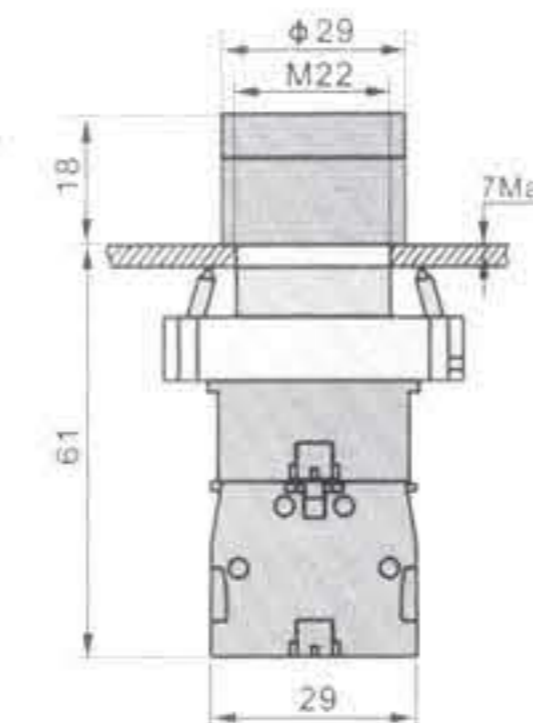
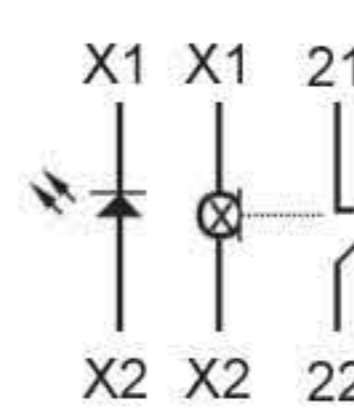
LED



Voltage :

- 21-DC.AC6V
- 22-DC.AC12V
- 23-DC.AC24V
- 24-DC.AC36V
- 25-DC.AC48V
- 26-DC.AC110V
- 27-DC.AC127V
- 31-AC220V
- 32-AC380V

Circuit :



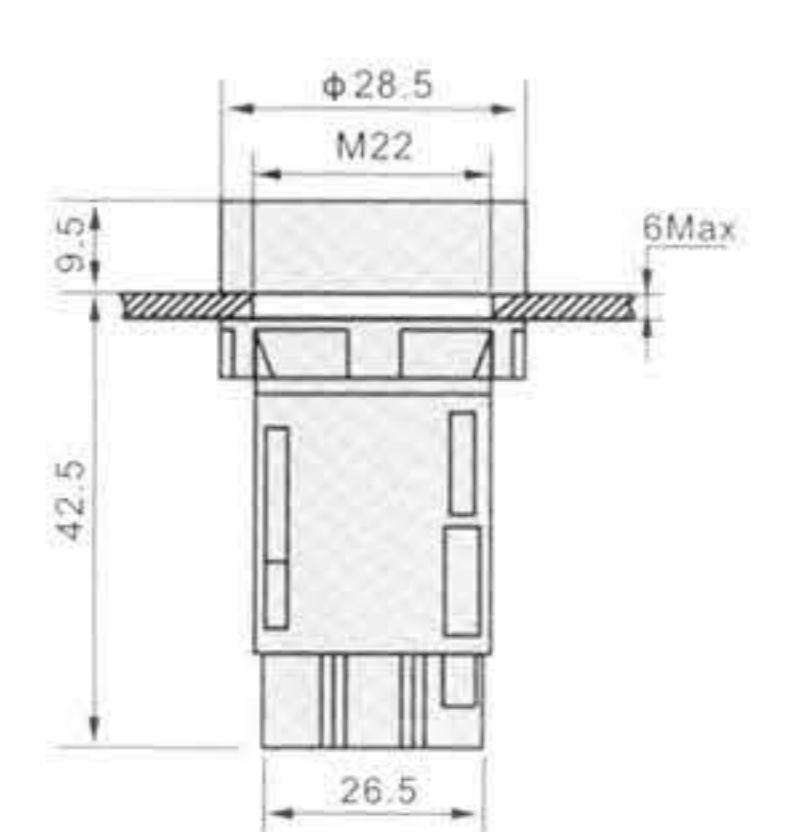
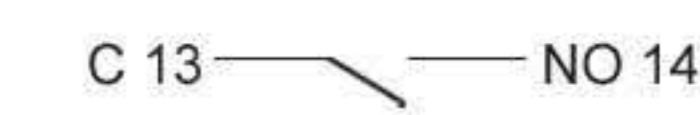
Basic Technical Parameters of Button		Basic Technical Parameters of Signal Lamp	
Rated Insulation Voltage	AC600V(50Hz/60Hz)	Insulation Resistance	≥50M Ω
Conventional Heating Current	10A	Contact Resistance	≤25Min Ω
Insulation Resistance	≥ 50M Ω	Pf With Stand Voltage	Ac2.5KV/min
Contact Resistance	≤ 25Min Ω	Voltage Wave	± 20%
Mechanical Life	100x10 ⁴ (Push Button) 50x10 ⁴ Selector Switch Key Switches	Brightness	60cd/m ²
Electrical Life	500x10 ⁴ (Push Button) 25x10 ⁴ Selector Switch Key Switches	Continuous Working Life	10x10 ⁴ h

SB7-EH31

Color : 
Contact : N/O



Circuit :

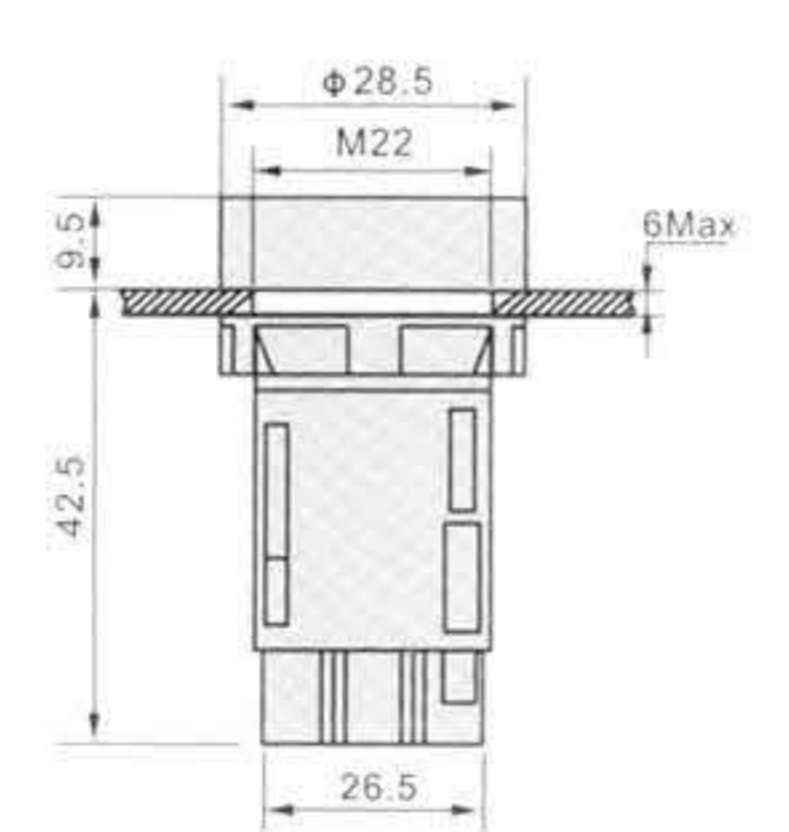


SB7-EA42

Color : 
Contact : N/C



Circuit :



SB7-CW3361

Color :   
Contact : N/O

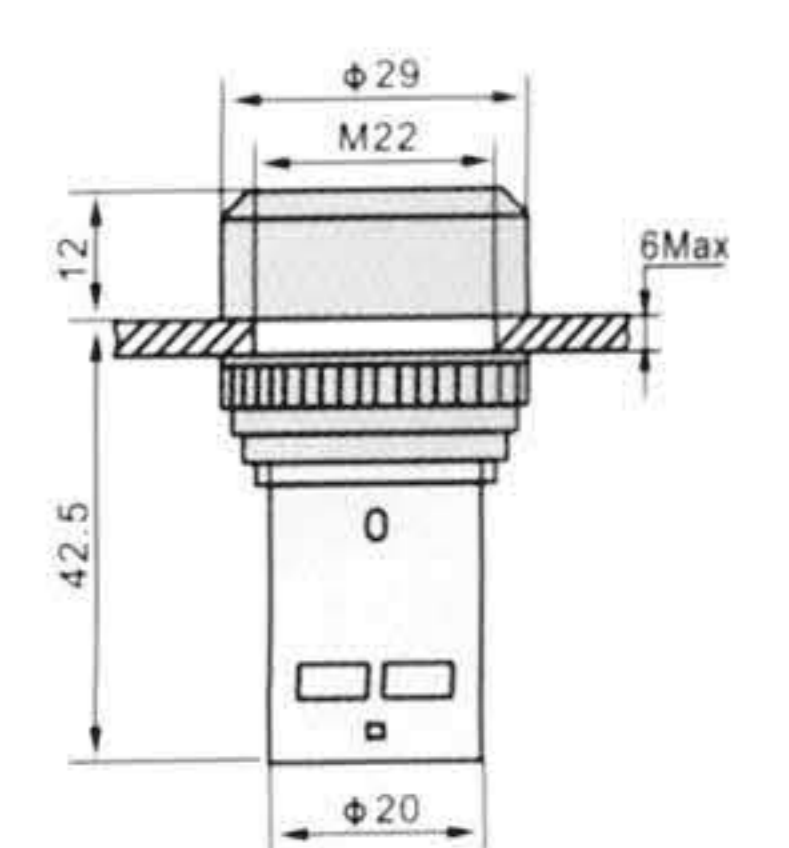
LED



Circuit :



6V~380V AC/DC
50~60 HZ



SB7-CW3462

Color : 
Contact : N/C

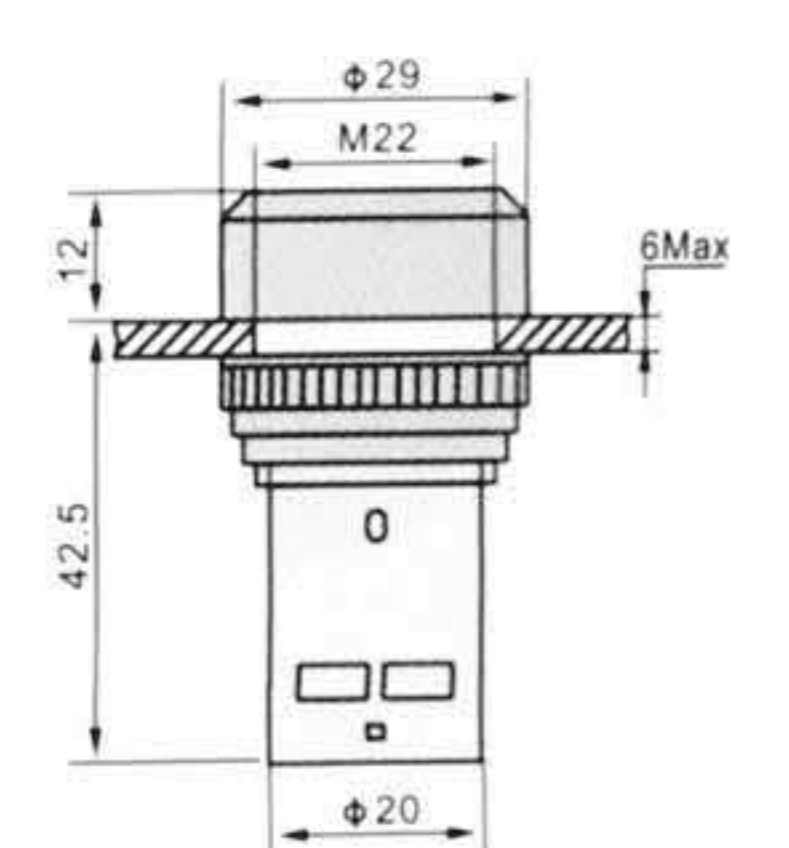
LED



Circuit :



6V~380V AC/DC
50~60 HZ



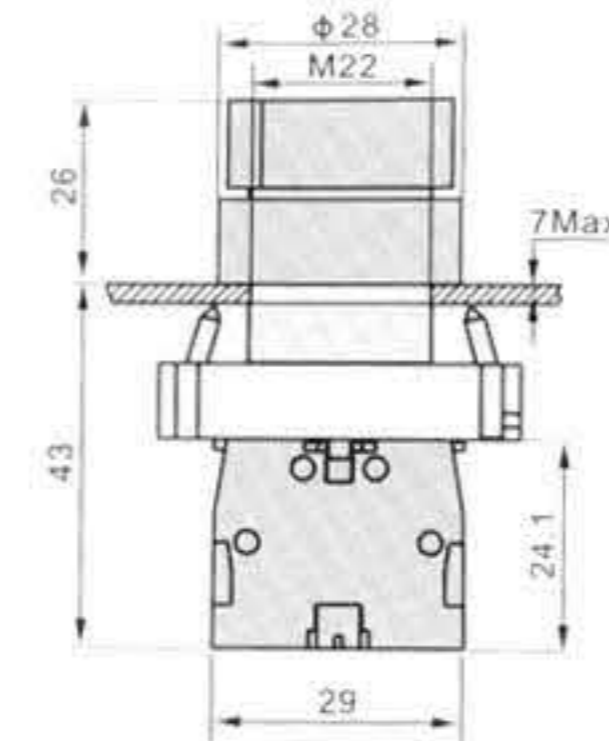
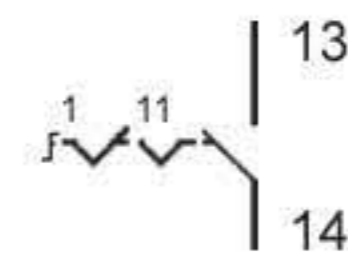
The innovation of our employees

We regard innovation as an important basis if we are to meet the ever-changing market requirements. We create this basis by giving our employees the freedom to act upon their own initiative within the existing, flat hierarchical structure of the company. In this way, we can operate in a more targeted and individual manner in order to fulfill your wishes and requirements.

XB2-BD21
2 position stay put
Contact : N/O



Circuit :

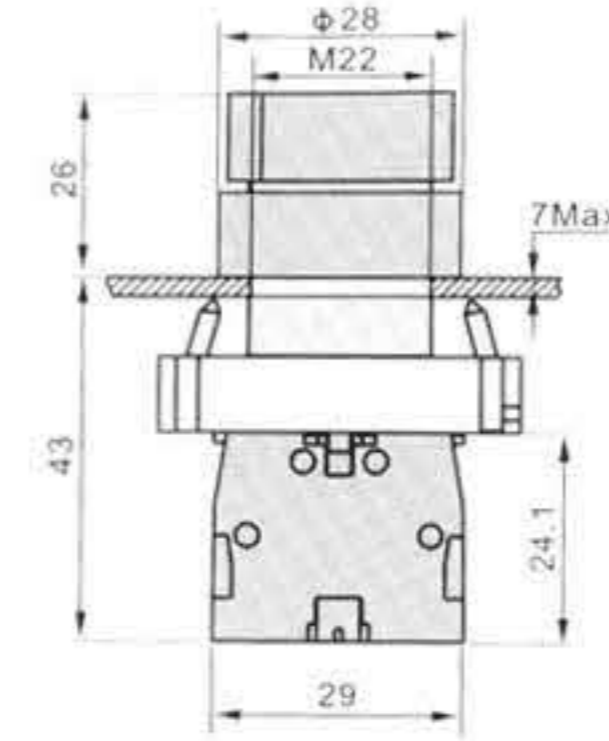
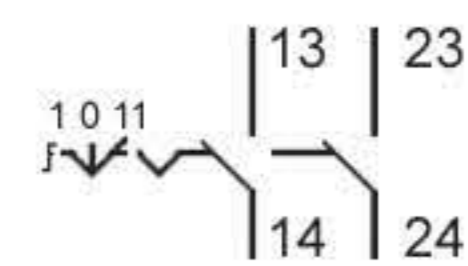


XB2-BD45
2 position
1 spring return
from right to left
Contact : N/O

XB2-BD33
3 position stay put
Contact : N/O + N/O



Circuit :



XB2-BD53
3 position
2 spring return
to Center
Contact : N/O + N/O

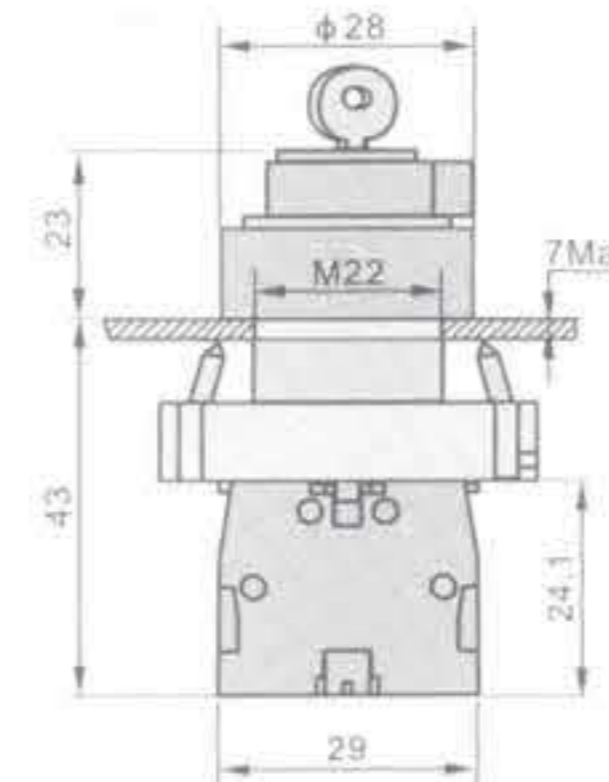
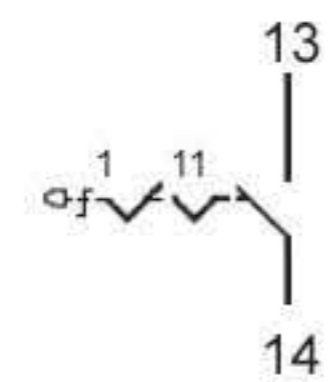
XB2-BG21
2 position with
key stay put



Contact : N/O



Circuit :



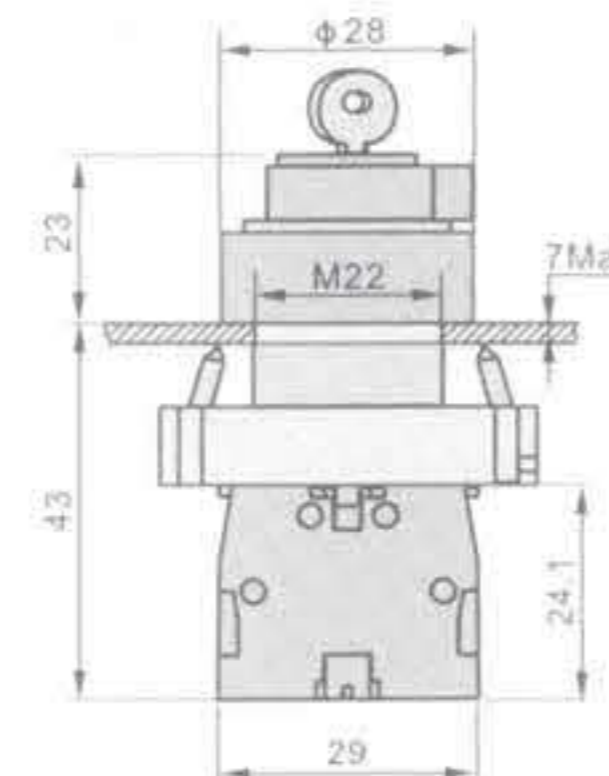
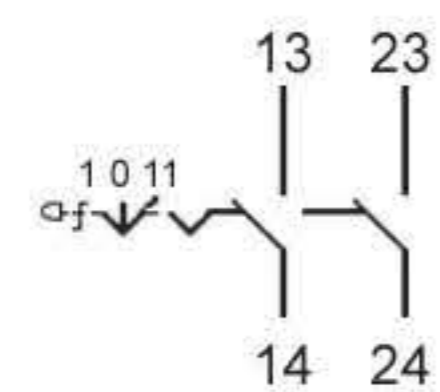
XB2-BG33
3 position with
key stay put



Contact : N/O + N/O



Circuit :



The innovation of our processes

Process optimization ultimately delivers the greatest benefits for you. But putting new innovations into practice, we are able to improve and automate manufacturing and production methods. Process optimization enables us to reduce manufacturing costs without compromising on the quality of products. In this way, we can guarantee you lower costs and faster processing.

LAY5-BK2465
2 position stay put
Direct Supply

Color :

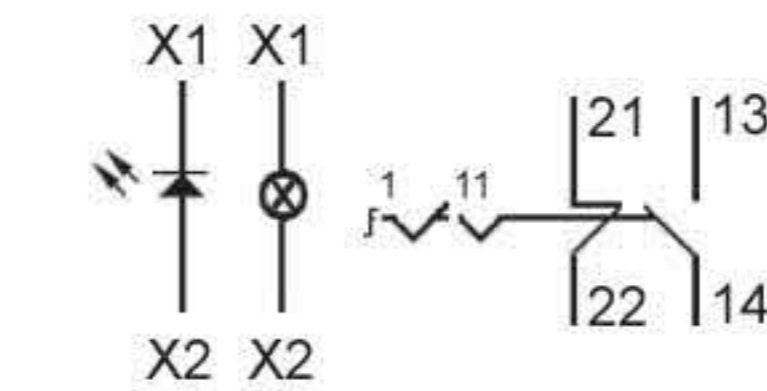


Contact : N/O or N/C

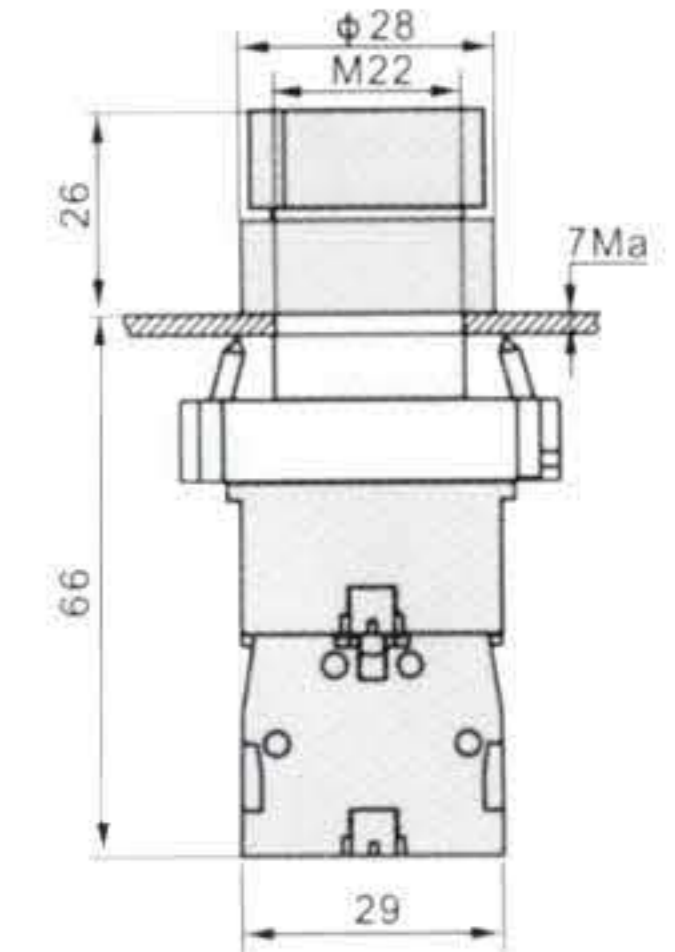
LED



Circuit :



BA9s LED
12~240VAC LED
LED Voltage Range on Request



LAY5-BK3465
3 position stay put
Direct Supply

Color :

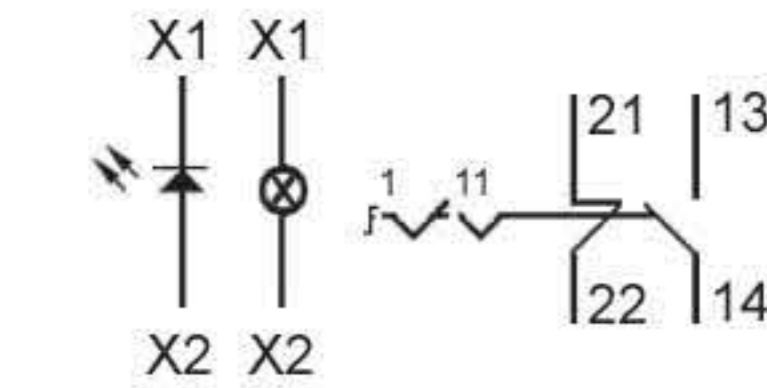


Contact : N/O + N/O
or
N/C + N/C

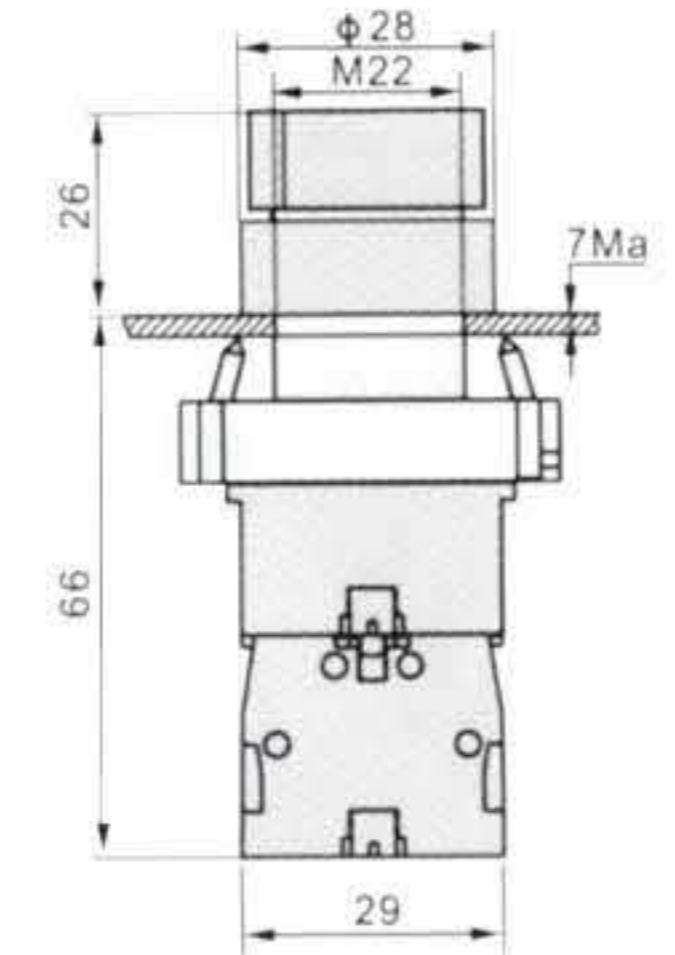
LED



Circuit :



BA9s LED
12~240VAC LED
LED Voltage Range on Request

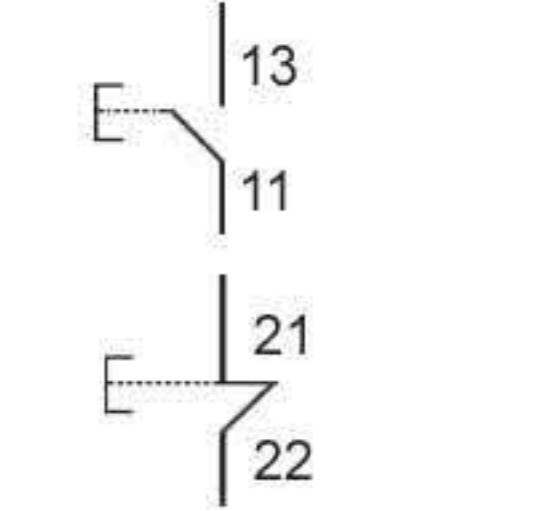


XB2-BL8425
Without pilot light

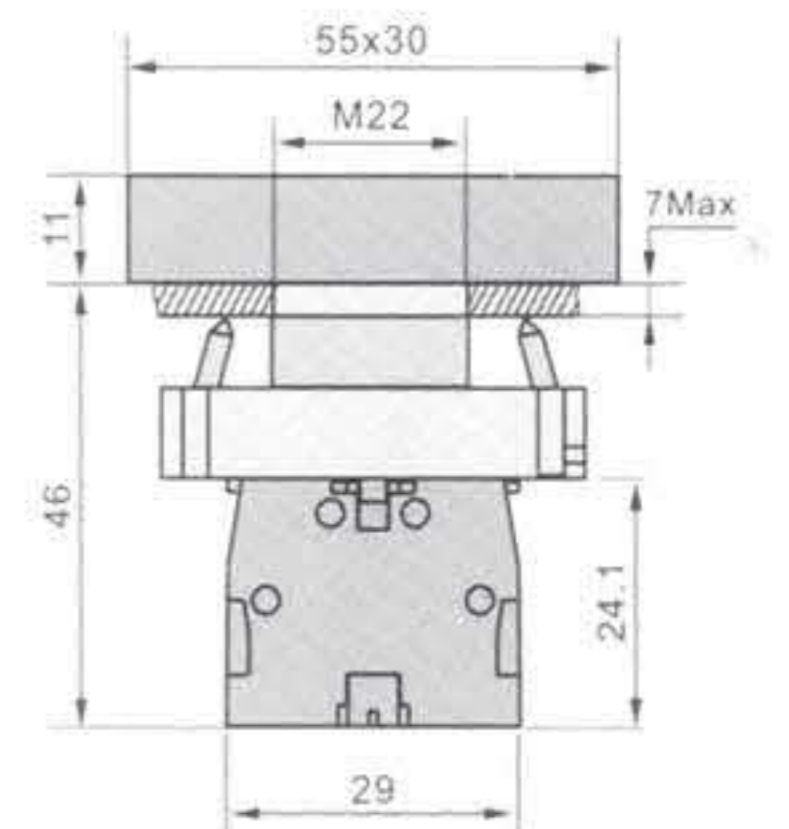
Contact : N/O + N/C



Circuit :



12~240VAC LED



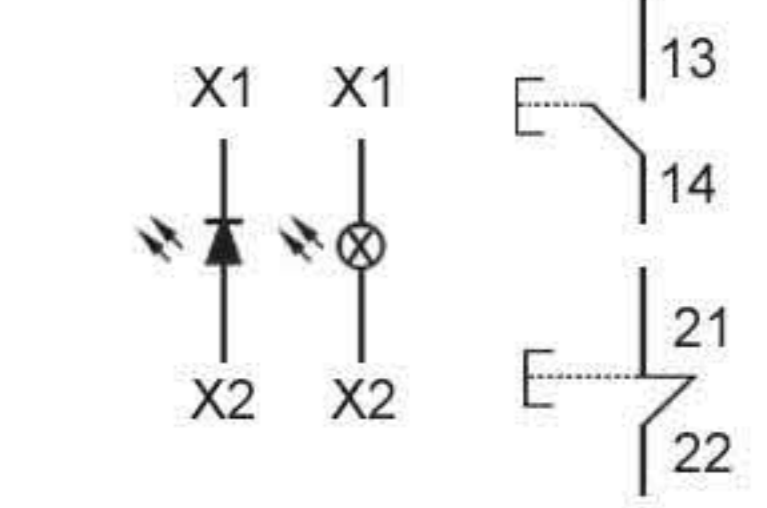
XB2-BW8465
With pilot light

Contact : N/O + N/C

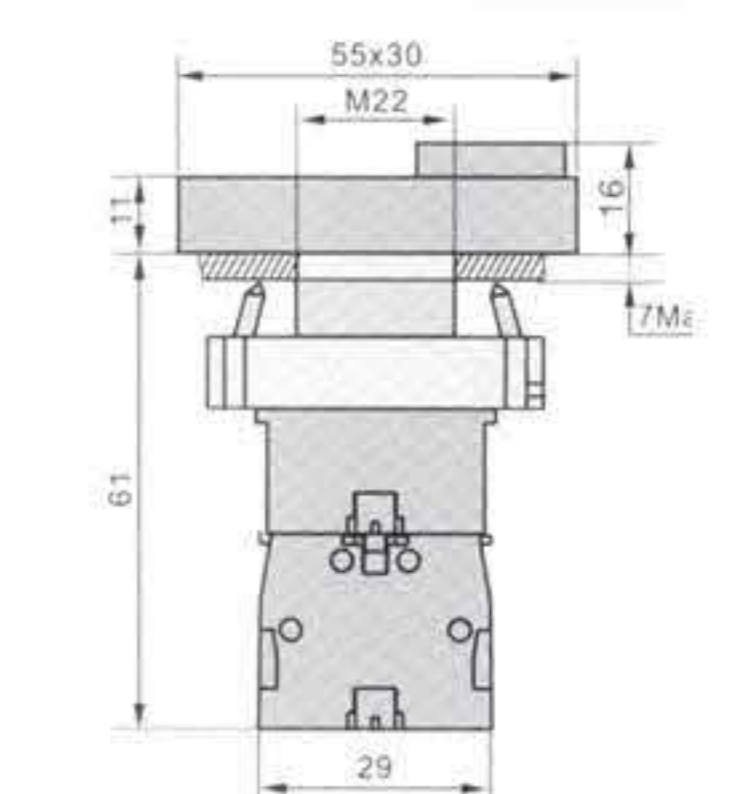
LED



Circuit :



12~240VAC LED
LED Voltage Range on Request



The innovation of our products

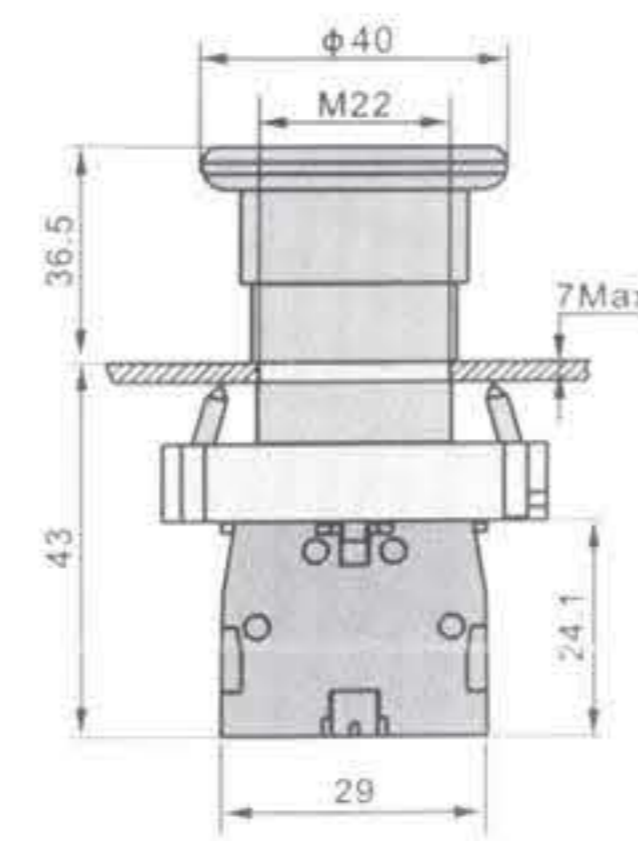
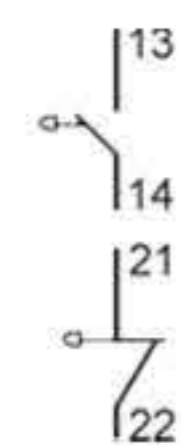
We break new ground. Practically today when market requirements are changing at an ever more rapid pace, we understand that our challenge is to meet these requirements. Product requirement represents both the basis and the result of our endeavors. This is manifested in numerous patents and unique selling points. We believe in our innovative strength. We also want to do justice to you.

XB2-BC42
Mushroom head

Color : 
Contact : N/C



Circuit :

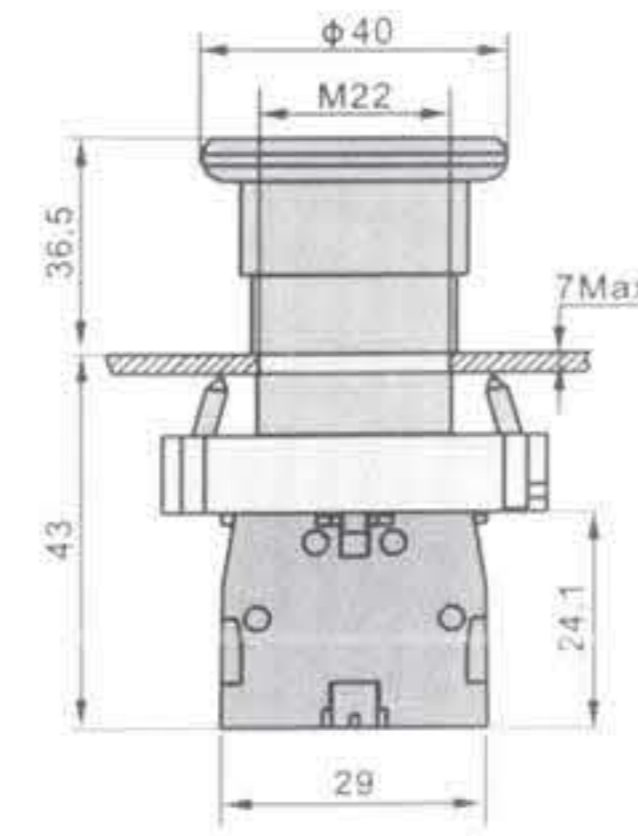
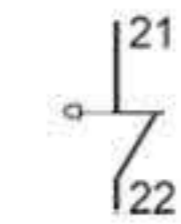


XB2-BS542
Turn to release



Color : 
Contact : N/C



Circuit :

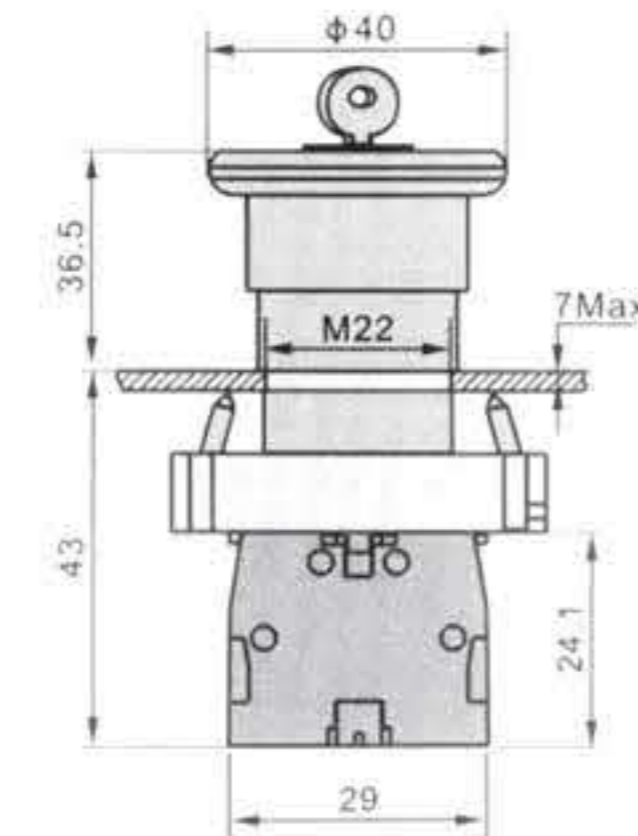
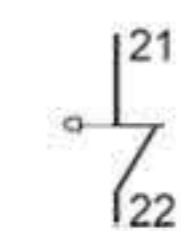


XB2-BS142
Key release

Color : 

Contact : N/C



Circuit :




Emergency Button Series
Everyday's **Solution**

Miniature Push Button series

%100 innovation

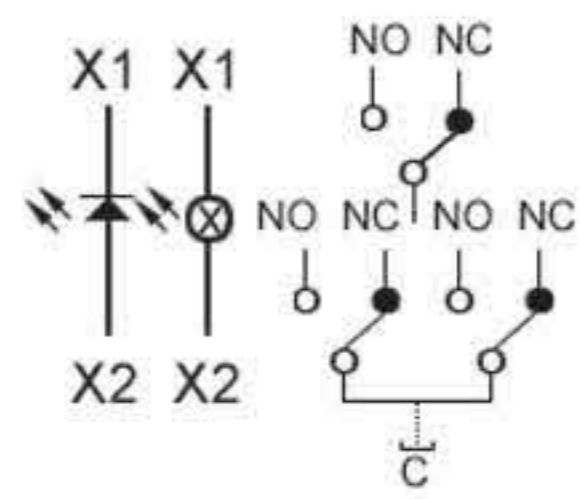
- We are directly responsible for our work and have the necessary freedoms to be able to transform your requirements into specific solutions.
- With the help of new manufacturing methods and machines, we realize new ideas in order to offer you high-quality products.
- Process optimization improves the processing channels and enables us to act more quickly.
- In all areas, innovation forms the basis for meeting your requirements and for penetrating new markets. This is our challenge.
- Our employees create the basis for our innovations.

SDL16-22AD

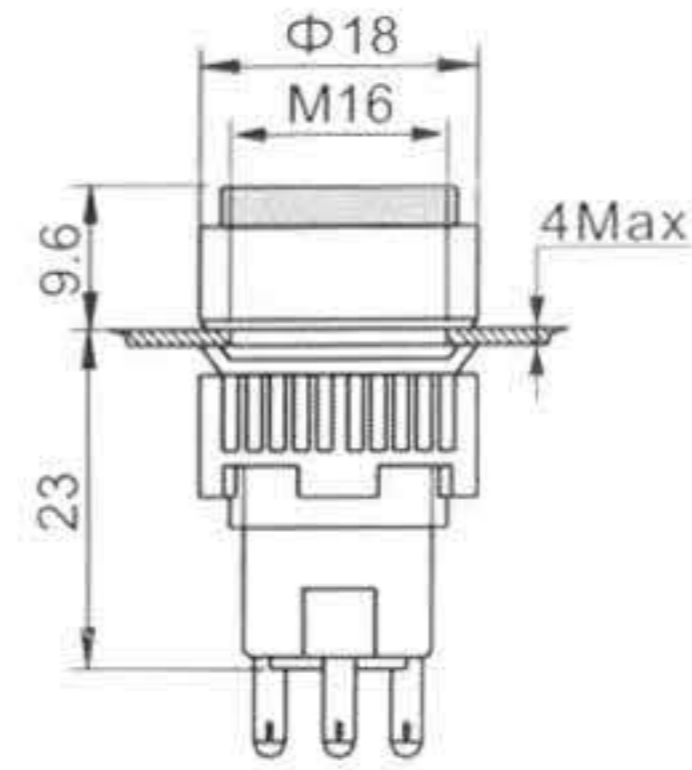
Color : 
LED




Circuit :



Contact : 2N/O + 2N/C

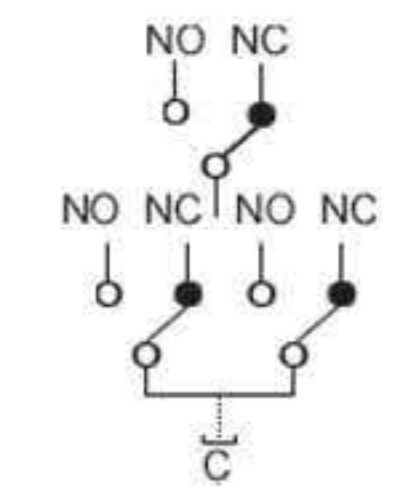


SDL16-22ZS
Mushroom Emergency
Auto Locking

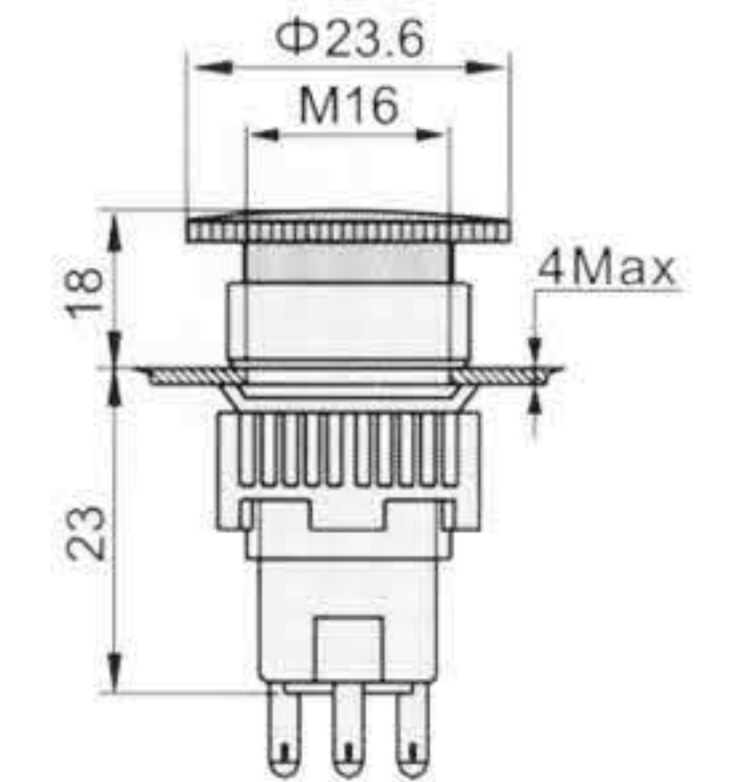
Color : 




Circuit :



Contact : 2N/O + 2N/C

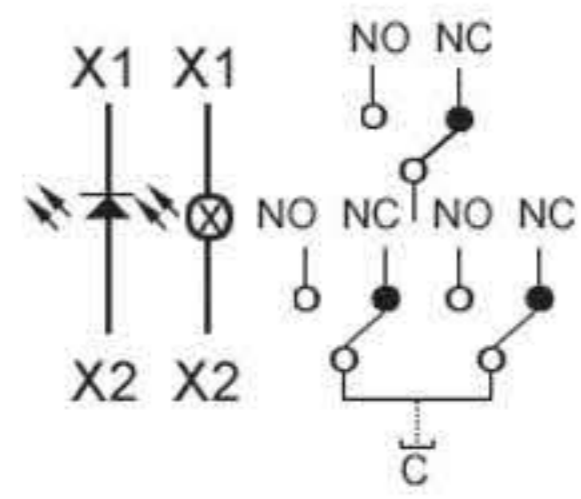


SDL16-22FD

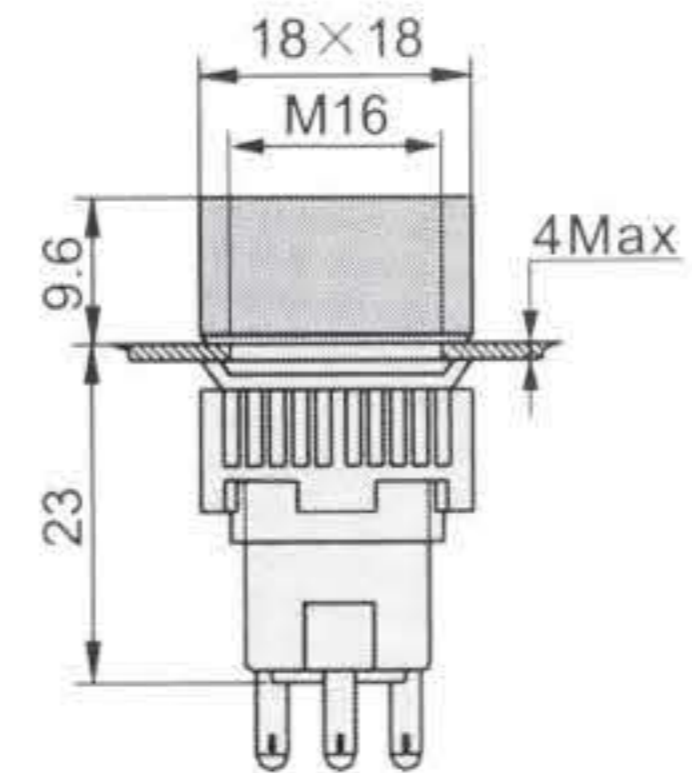
Color : 
LED




Circuit :



Contact : 2N/O + 2N/C

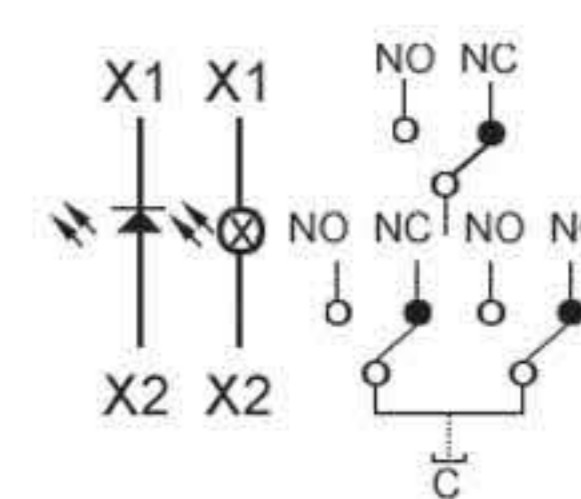


SDL16-11MD
Light Mushroom Emergency

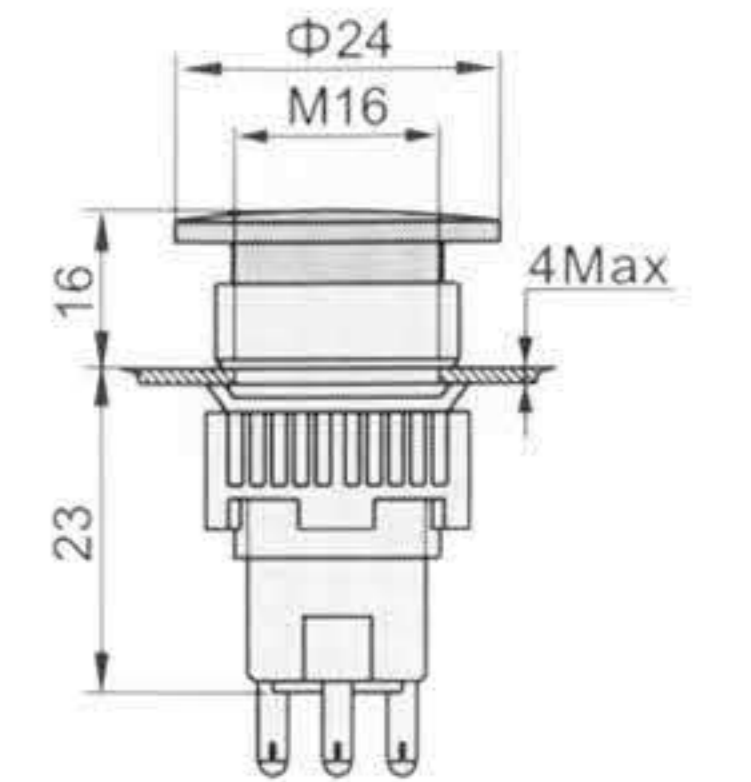
Color : 
LED




Circuit :



Contact : 2N/O + 2N/C

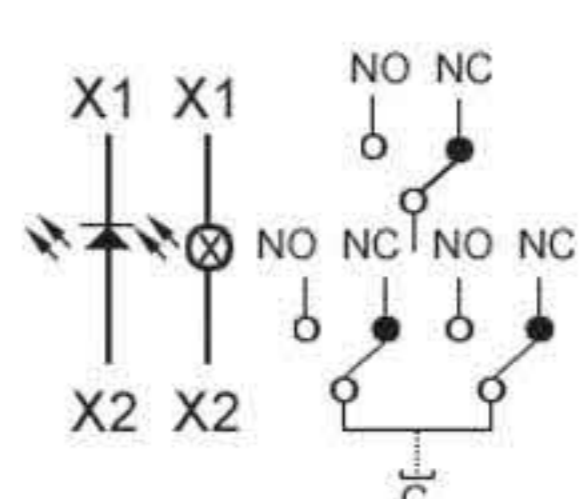


SDL16-22CFD

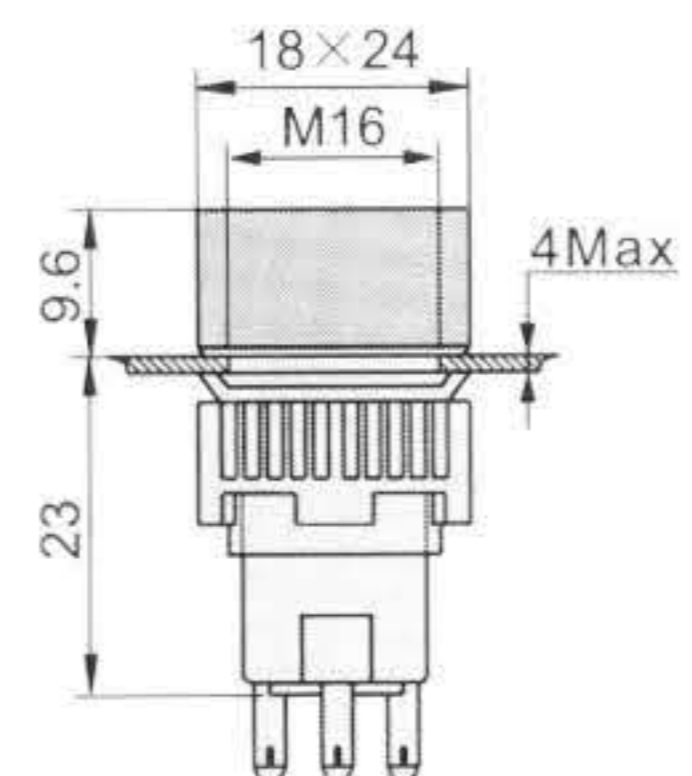
Color : 
LED




Circuit :



Contact : 2N/O + 2N/C

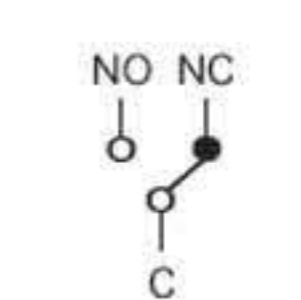


SDL16-11XA
90° 2 Position

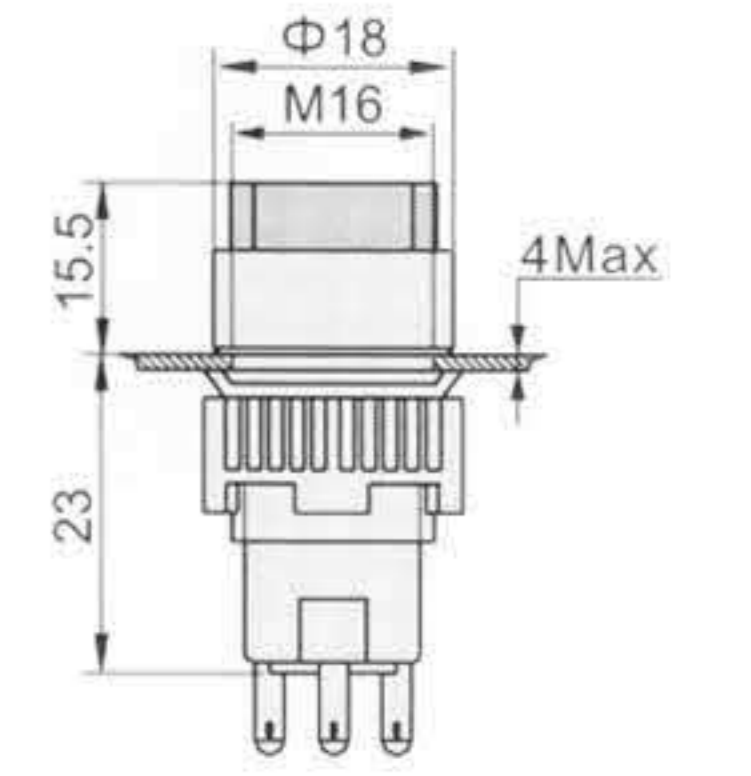
Color : 




Circuit :



Contact : NO + NC

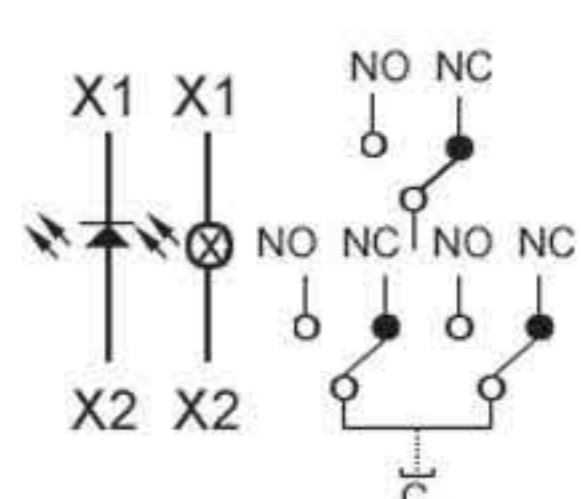


SDL16-22CFDFG

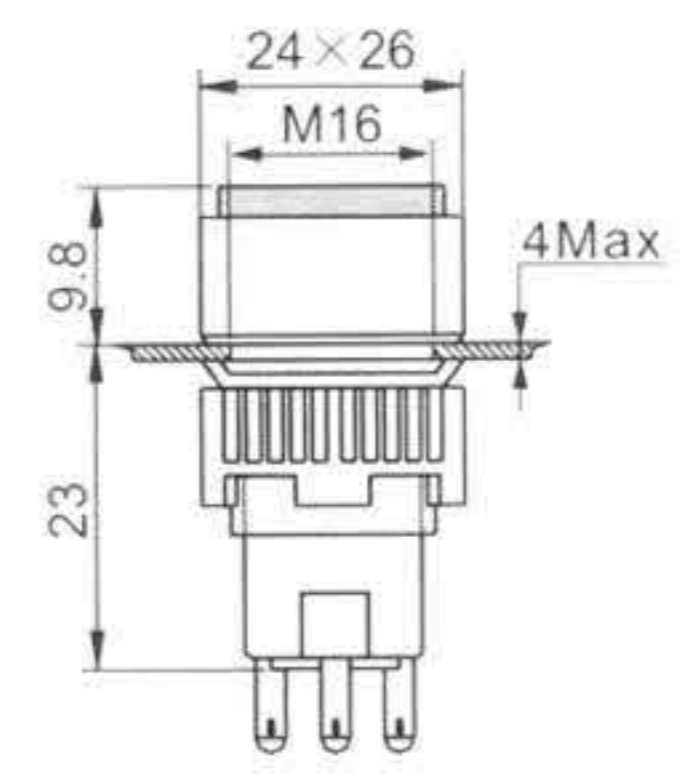
Color : 
LED




Circuit :



Contact : 2N/O + 2N/C

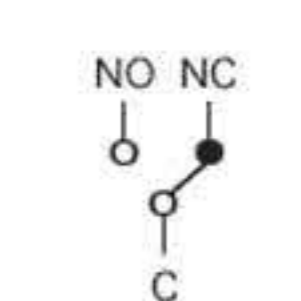


SDL16-11XF
90° 2 Position

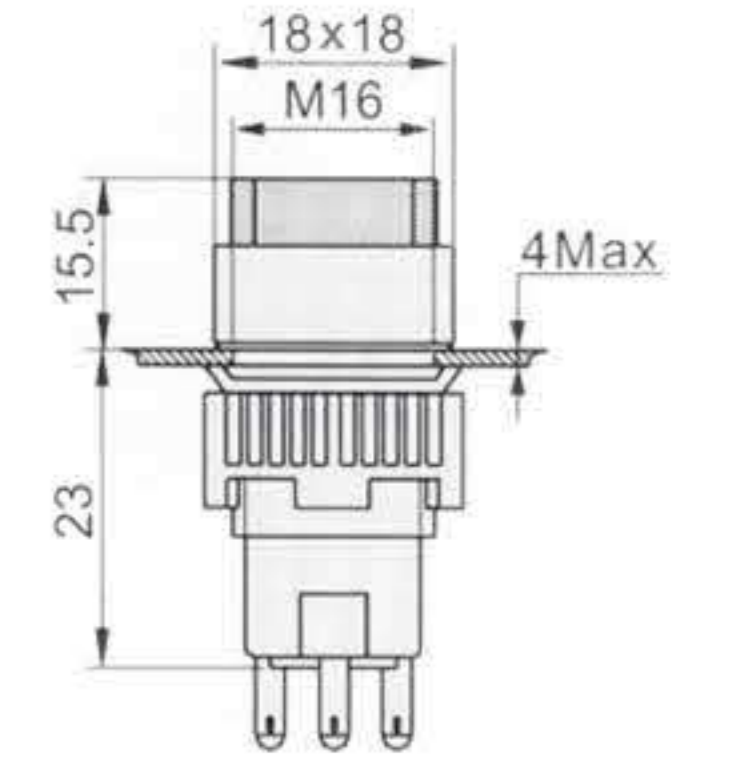
Color : 



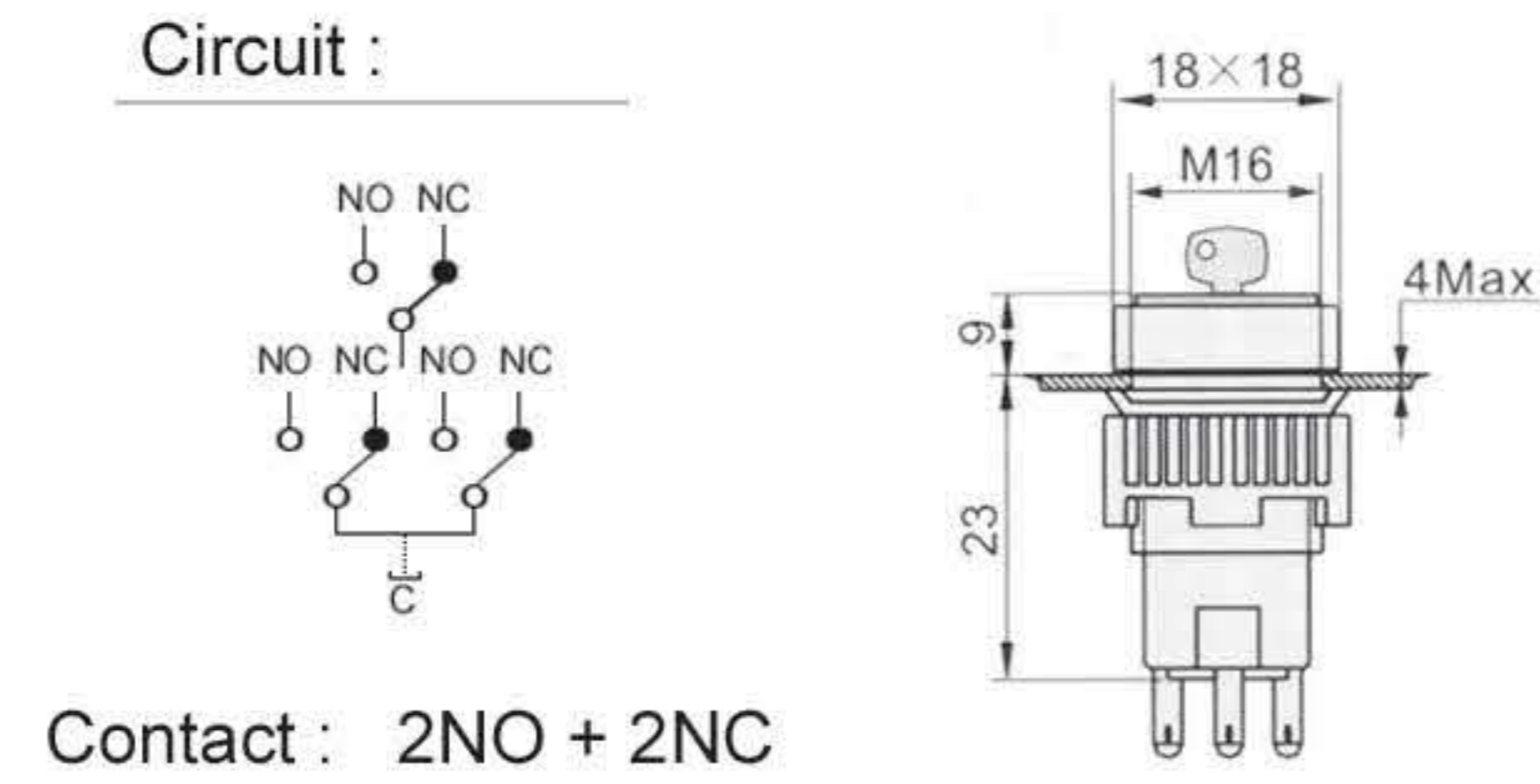
Circuit :



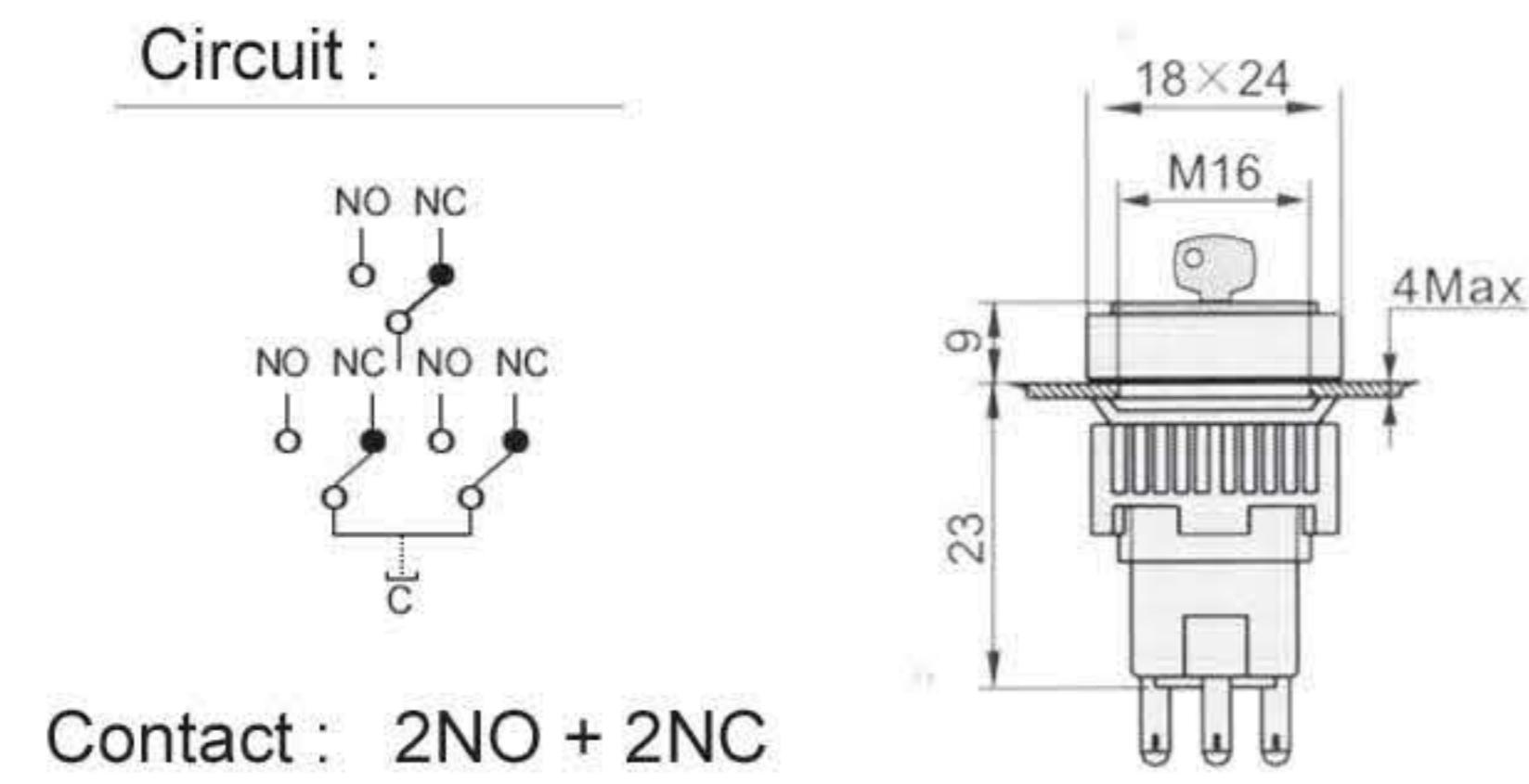
Contact : NO + NC



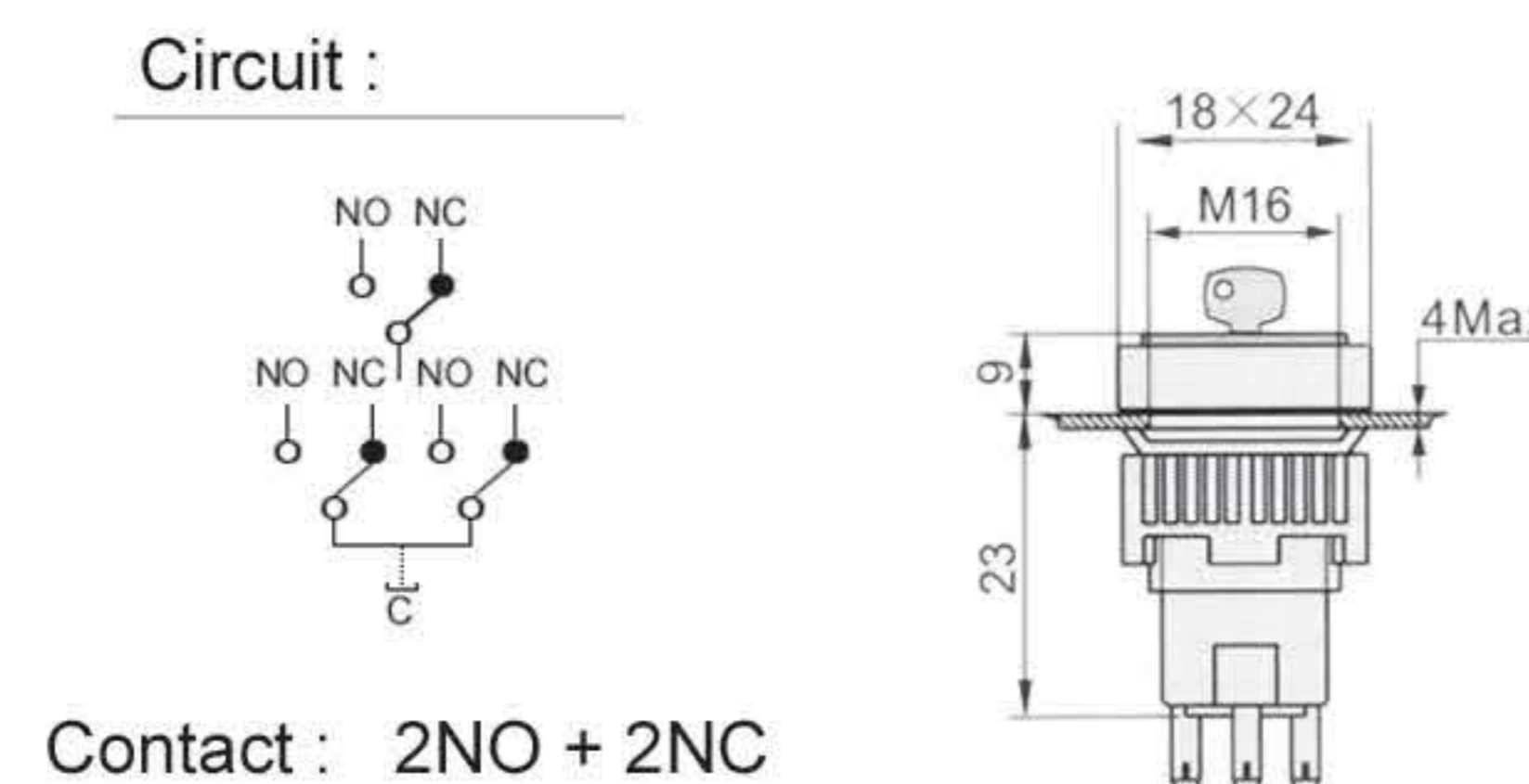
SDL16-11YA
90° 2 Position



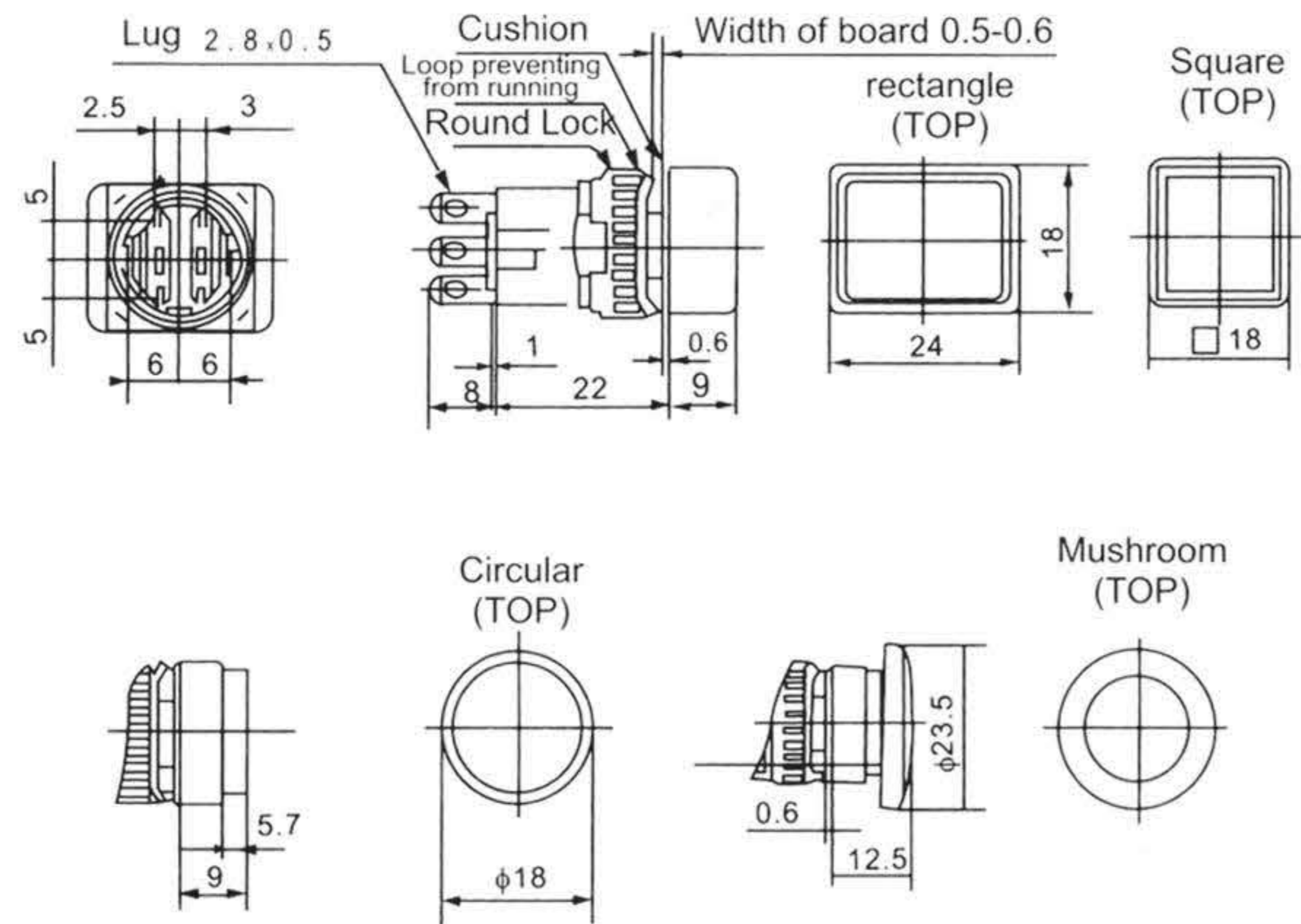
SDL16-11YF
90° 2 Position



SDL16-11YCF
90° 2 Position



Size



Joysticks Operator Push Button Series

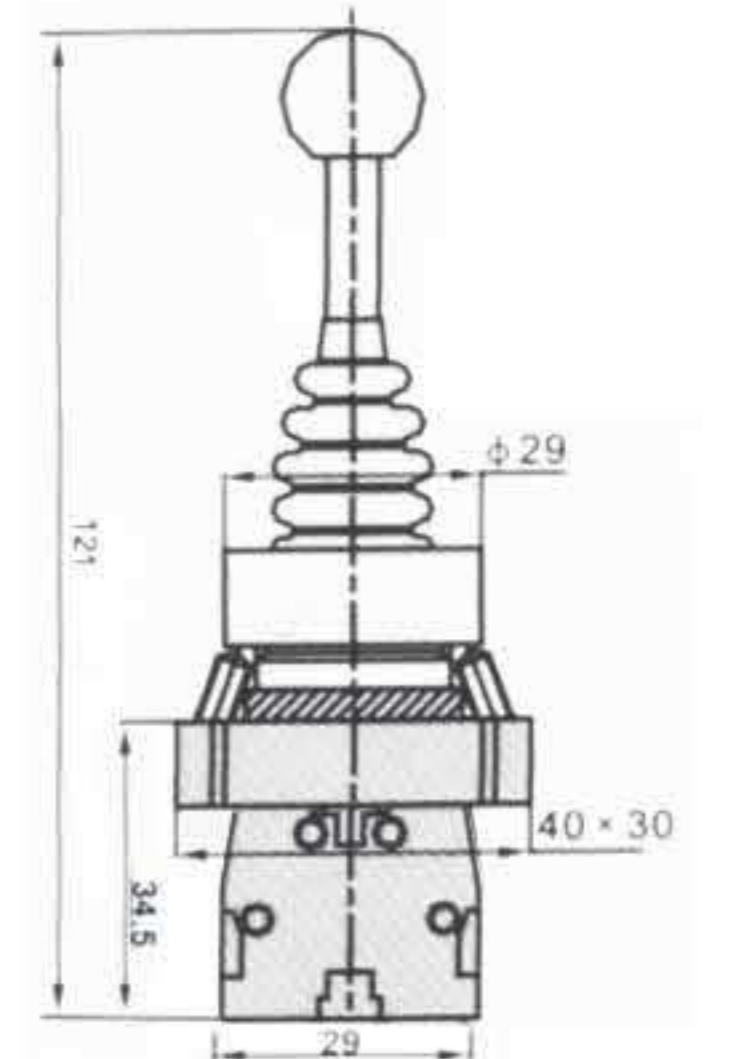
A joystick is an input device consisting of a stick that pivots on a base and reports its angle or direction to the device it is controlling. A joystick, also known as the control column, is the principal control device in the cockpit of many civilian and military aircraft, either as a center stick or side-stick. It often has supplementary switches to control various aspects of the aircraft's flight. In recent times, the employment of joysticks has become commonplace in many industrial and manufacturing applications, such as; cranes, assembly lines, forestry equipment, mining trucks, and excavators. In fact, the use of such joysticks is in such high demand, that it has virtually replaced the traditional mechanical control lever in nearly all modern hydraulic control systems. Additionally, most unmanned aerial vehicles (UAVs) and submersible remotely operated vehicles (ROVs) require at least one joystick to control either the vehicle, the on-board cameras, sensors and/or manipulators.

IS-BMR212
IS-BMR222

2 Position Stay Put
2 Position Spring Return



Contact

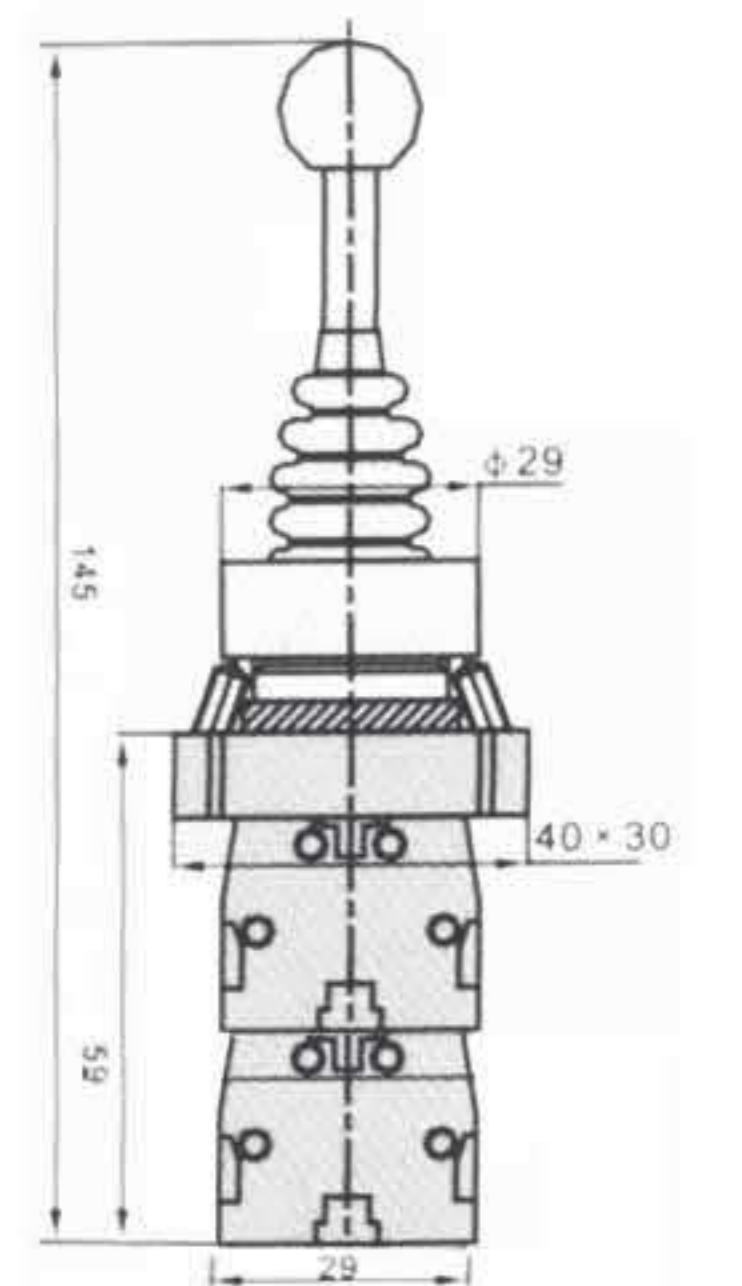
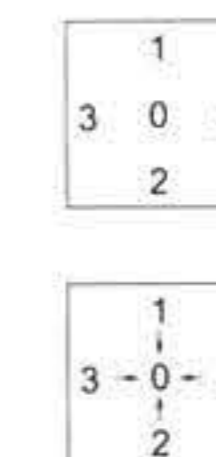


IS-BMR214
IS-BMR224

4 Position Stay Put
4 Position Spring Return



Contact



IS-EPC

Contact :

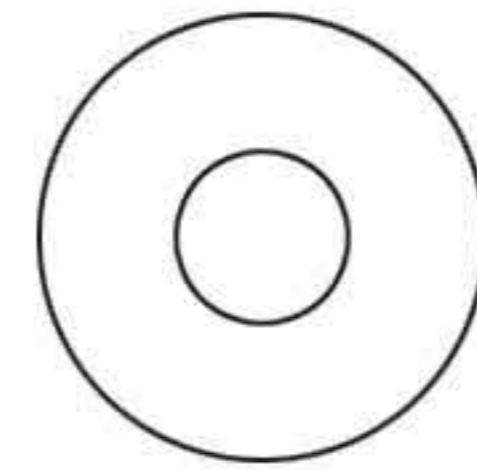
IS-ER60 : Ø 60mm

IS-ER90 : Ø 90mm



Applied For

XB2-BC/BS
XB4-BC/BS

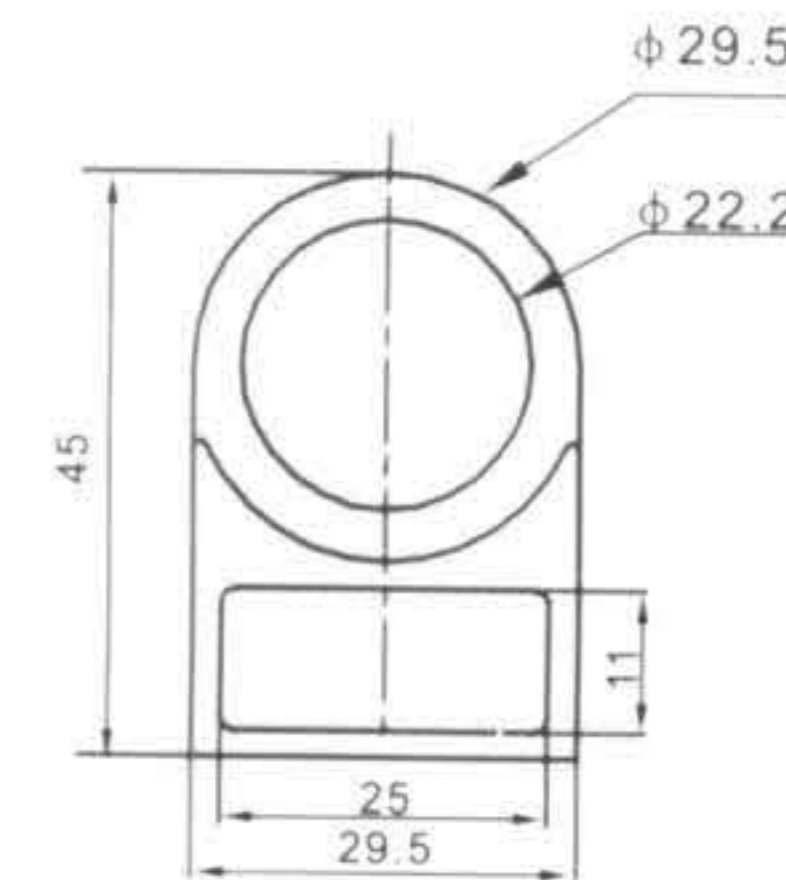


IS-EH2201
Plaque



Applied For

XB2-BC/BG/BK
XB2-BD/BA

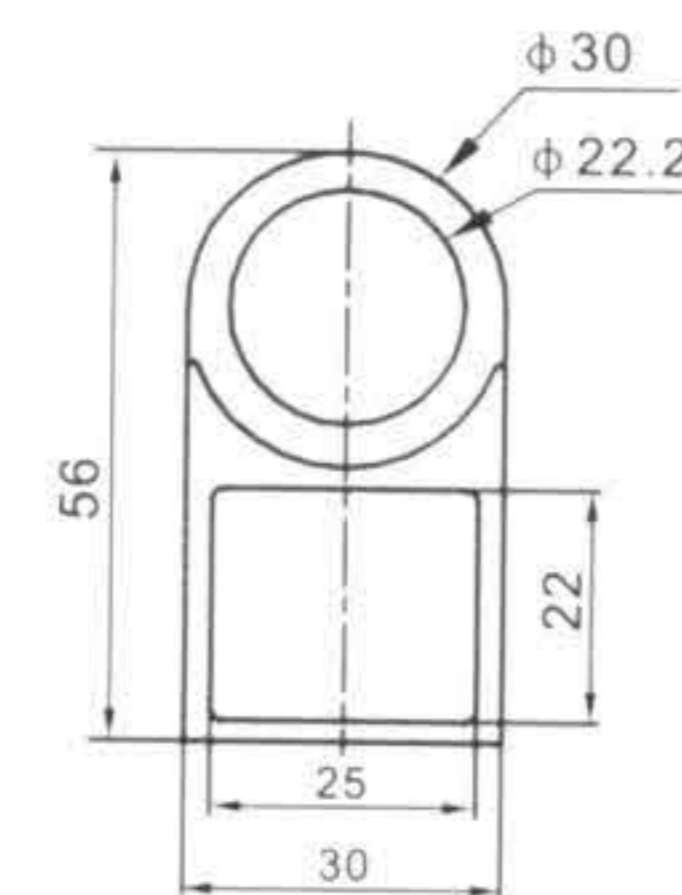


IS-EH2208
Plaque



Applied For

XB2-BC/BG
XB4-BC/BG



AD22B-EX

Color :

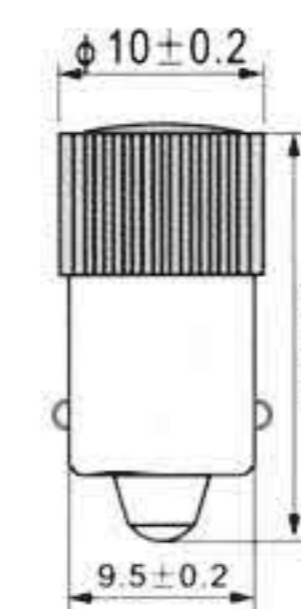
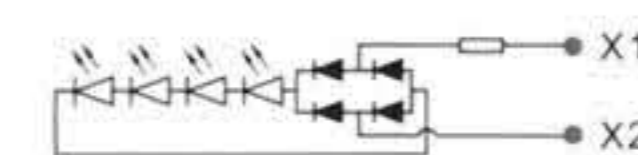


Voltage range : 6~240VAC



Voltage :

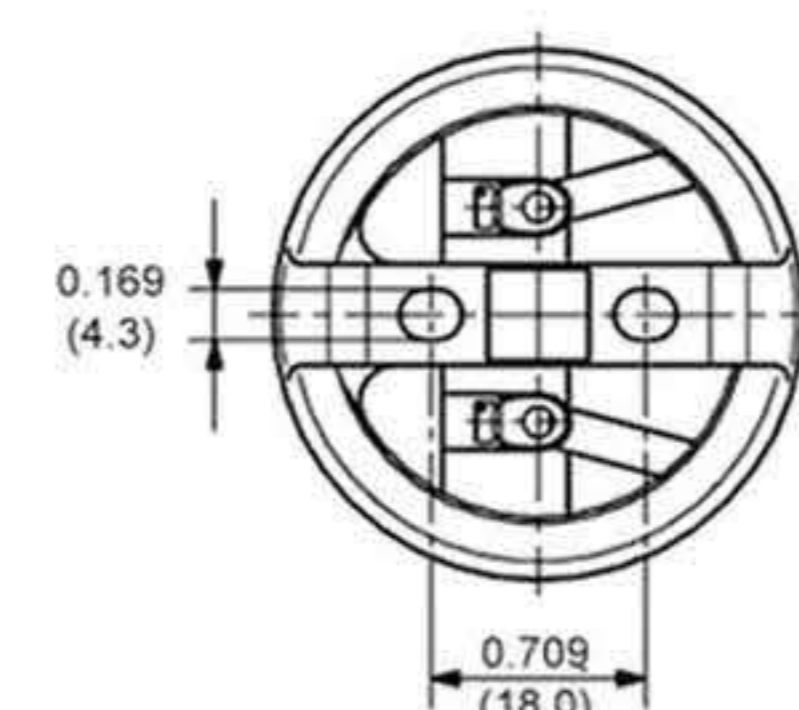
X: 6VAC/DC
12VAC/DC
24VAC/DC
48VAC/DC
110VAC
220VAC
240VAC



LAMP HOLDER
Porcelain E27



Voltage Range:
220-240VAC



Control Box Series

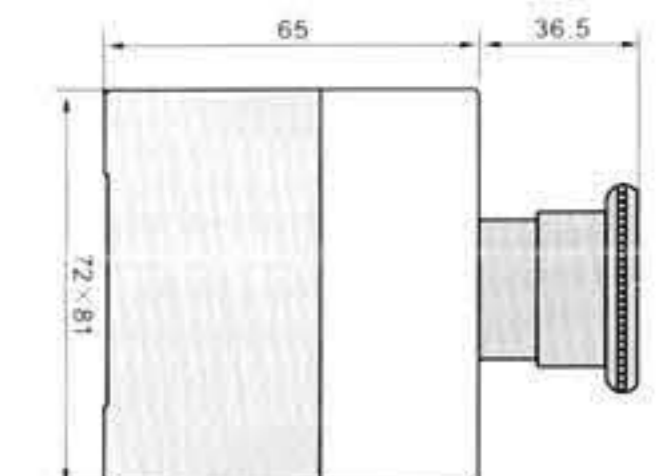
- Our reliability is the result of our conscientiousness and willingness of our employees.
- We keep our promises and do so with competence and reliability.
- We guarantee good value for money
- Expert advice and sales support is the basic principle that enables us to meet your requirements
- We guarantee that we will keep to the agreed dates and appointments and this does not just apply to the delivery service for our products
- Reliability is one of the basic principles for ensuring our availability for you.

IS-JBOX1
One Hole

Colors :



IP
IP40
Ø22 Ø25

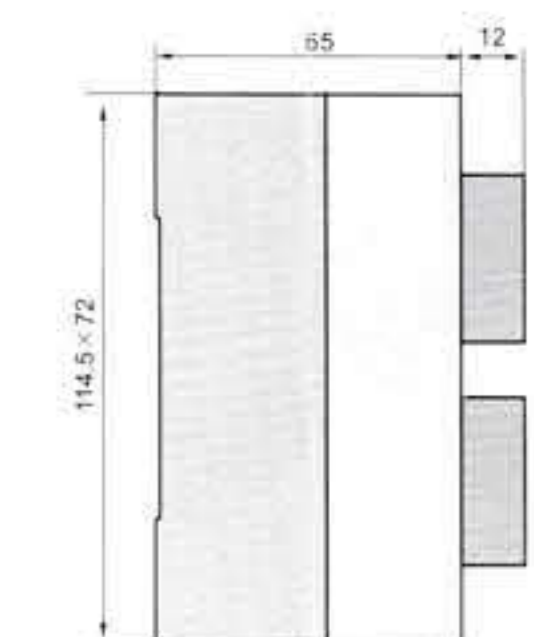


IS-JBOX2
Two Holes

Colors :



IP
IP40
Ø22 Ø25

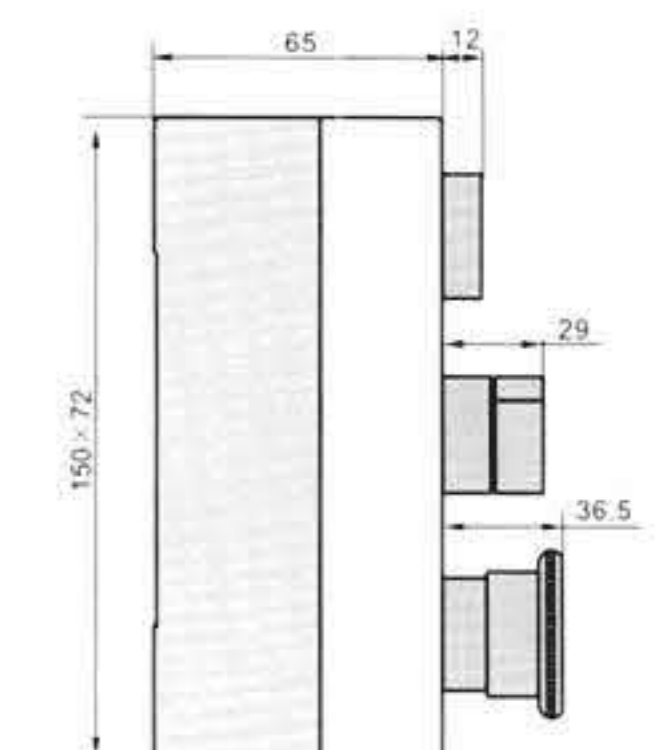


IS-JBOX3
Three Holes

Colors :



IP
IP40
Ø22 Ø25

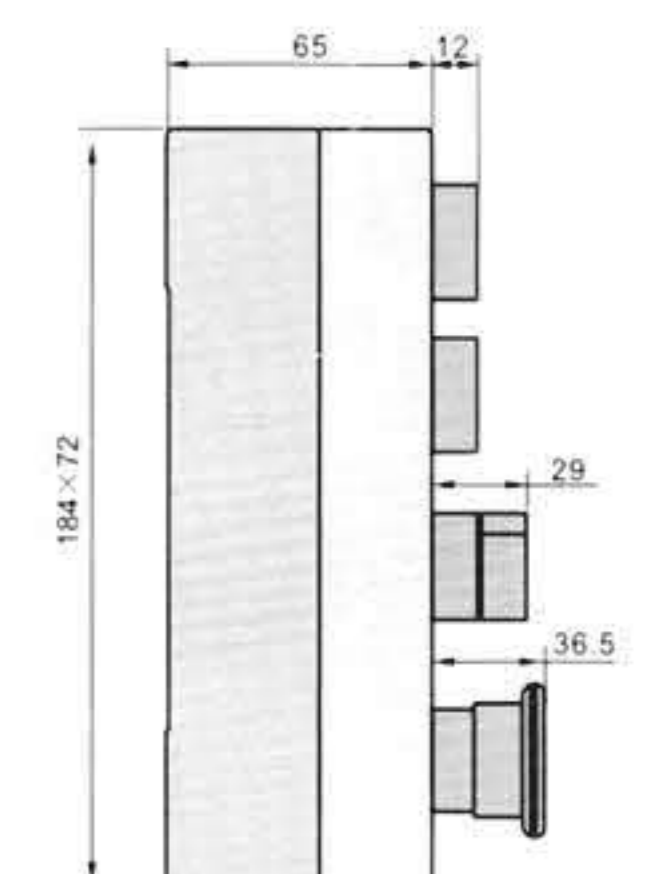


IS-JBOX4
Four Holes

Color :



IP
IP40
Ø22 Ø25





Control Switch Series

Made to Last . . .

Buttons marks

The EPB series are just among the wonderful control switches which are IP54-67, %100, Waterproof, Dust proof & shock proof. The spring-return, one flush Black & one flush white push buttons provide a patent design, optimum for highly professional operators. The NO and 2NO+2NC type are one of the options for various usages



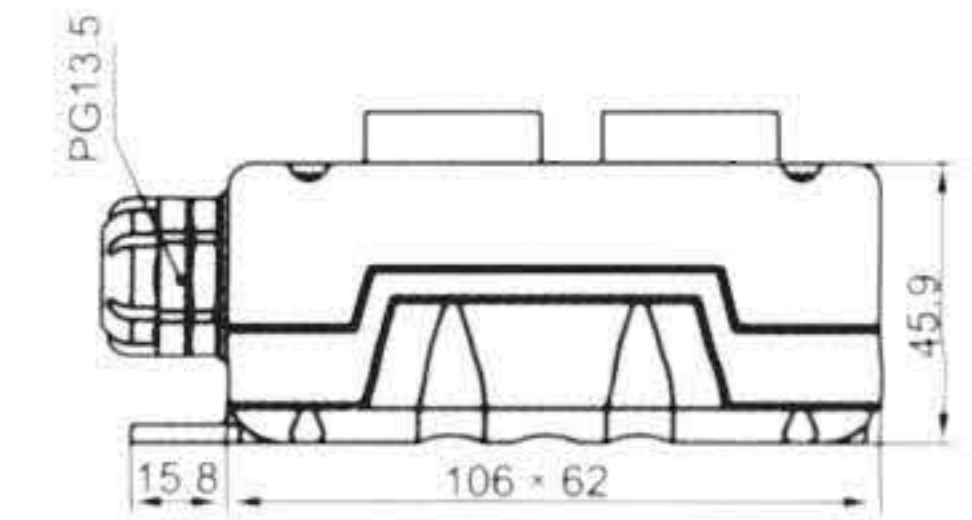
(A button) on, off(B button of spare button)OX

**IS-EPB2
IS-EPB22**

Symbol :



Contact : N/C+1N/O
N/C+2N/O

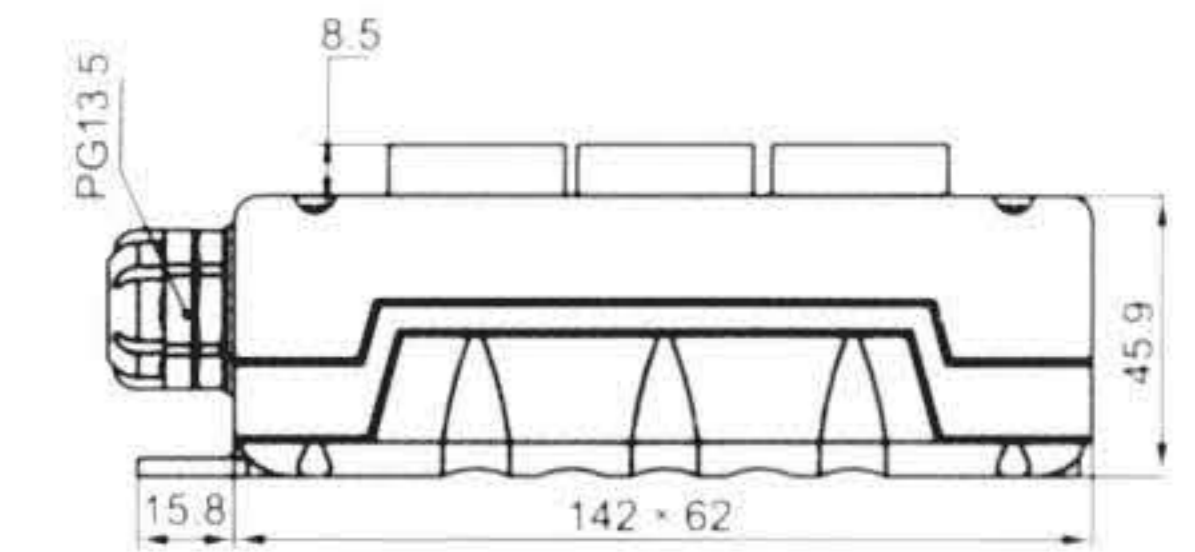


**IS-EPB3
IS-EPB32**

Symbol :



Contact : N/C+2N/O
N/C+2N/O+2N/O

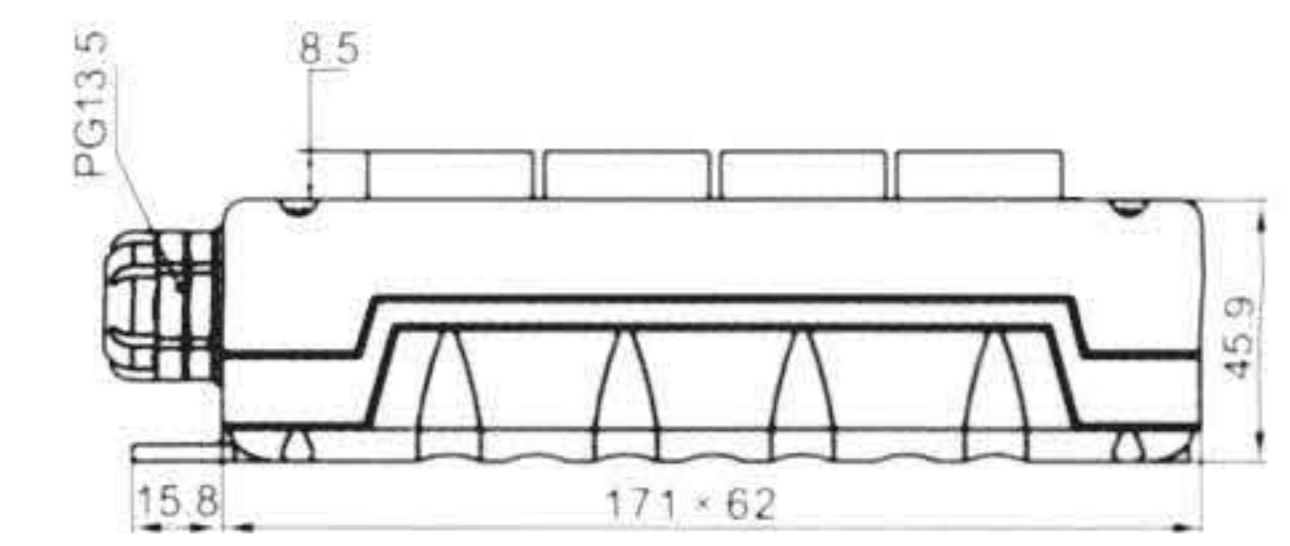


**IS-EPB4
IS-EPB42**

Symbol :



Contact : N/C+3N/O
N/C+3N/O+3N/O

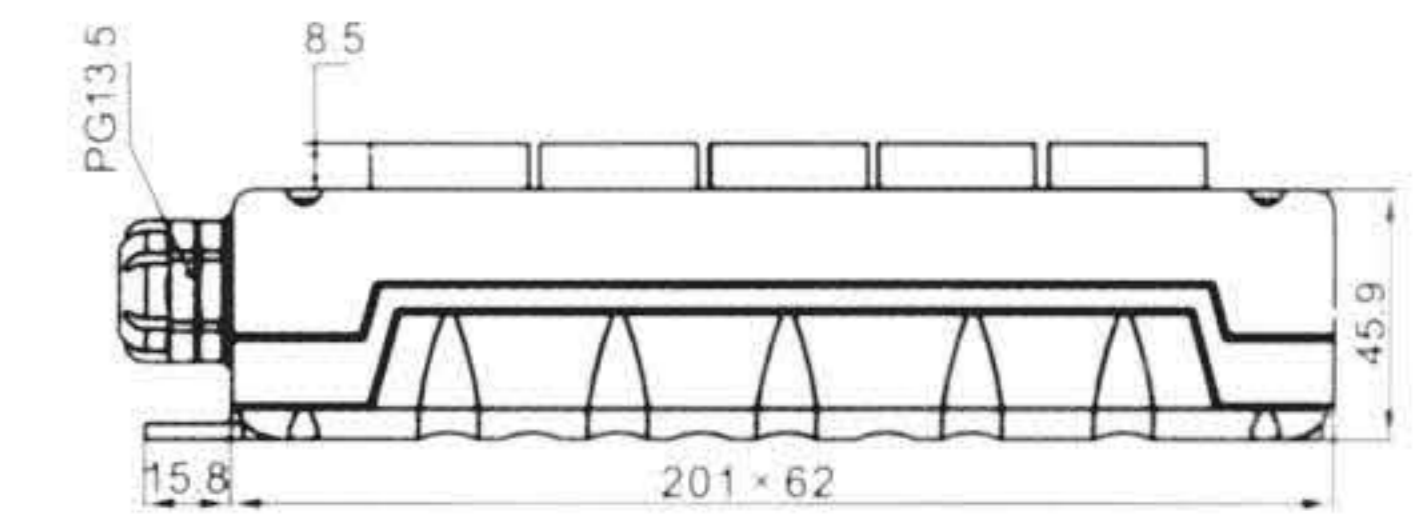


**IS-EPB5
IS-EPB52**

Symbol :



Contact : N/C+4N/O
N/C+4N/O+4N/O

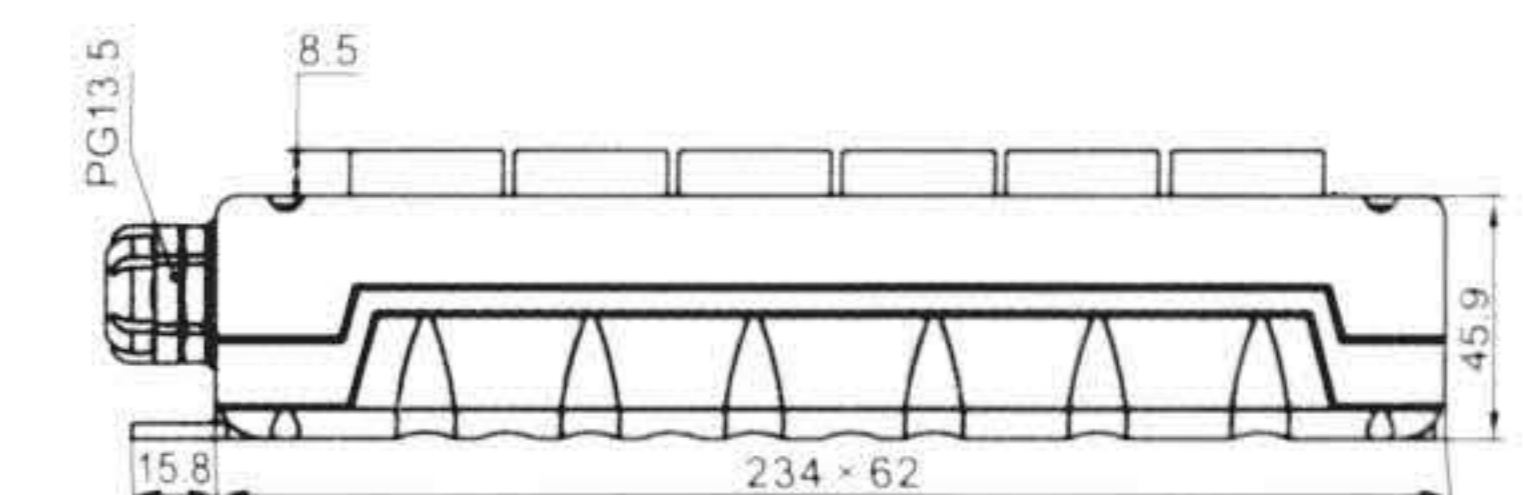


**IS-EPB6
IS-EPB62**

Symbol :

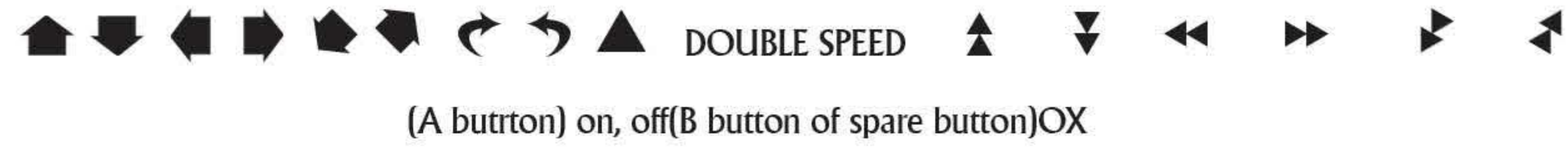


Contact : N/C+5N/O
N/C+5N/O+5N/O



Push Button Control Switch Series

Water-proof lifting button switches of IS-XCD series are precisely improved on the same kind of domestic and foreign products. This enlarges the operational functions. The technical competence comes up to the advanced world standards of the nineties. The products are noted for their plastic outer casing, artistic appearance and rational design. Equipped with rubber protective casings and water-proof performance. Thanks to their productive function of Grade IP-54, our products are remote control of lifters and electric trolleys.



Technical parameters: Ui:500V Ith:5A AC-15 380V~2A 220V~5A

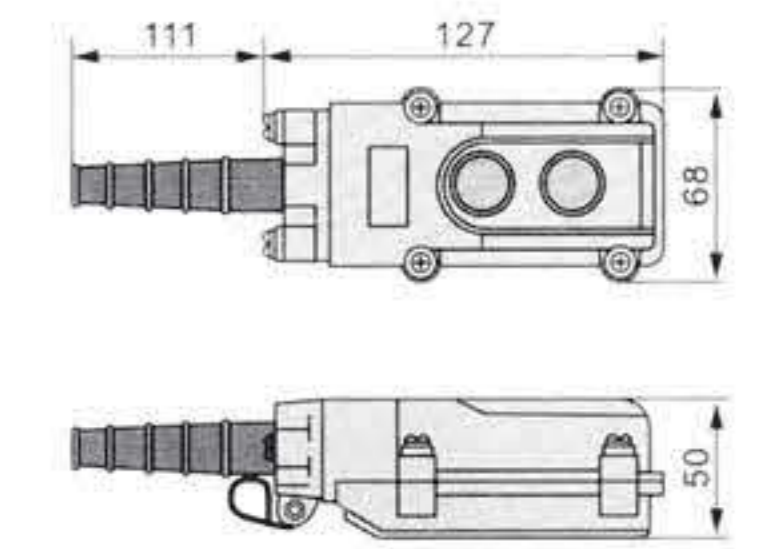
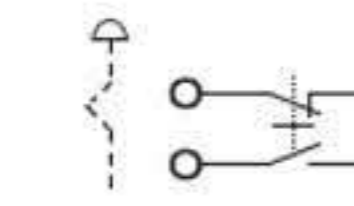


Control Switch Series
Everyday's **Solution**

IS-XCD61
Button interlock and auto reset



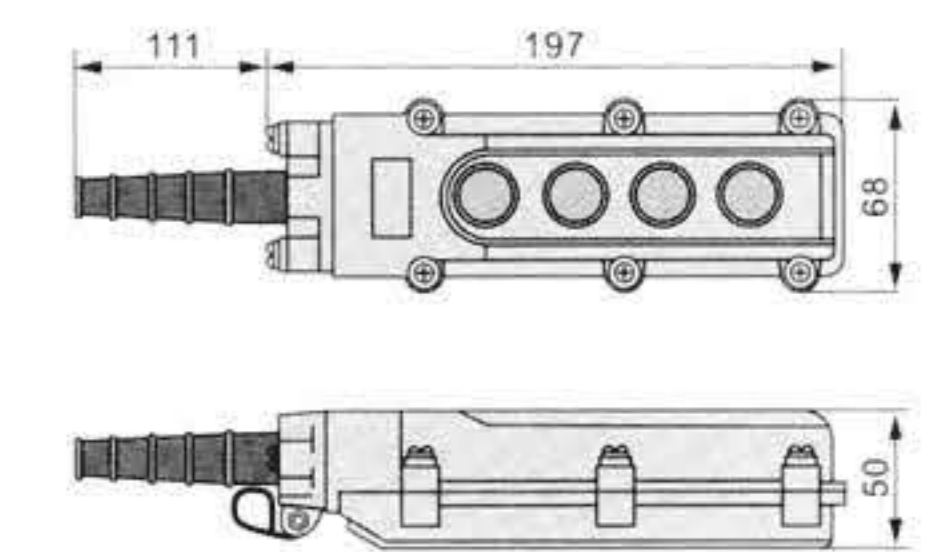
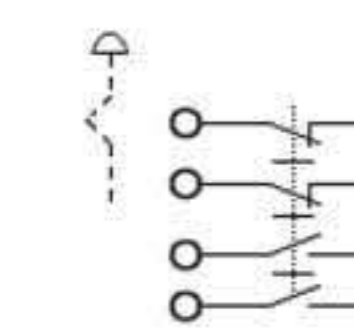
Circuit :



IS-XCD62
Normal on and normal off self-reset



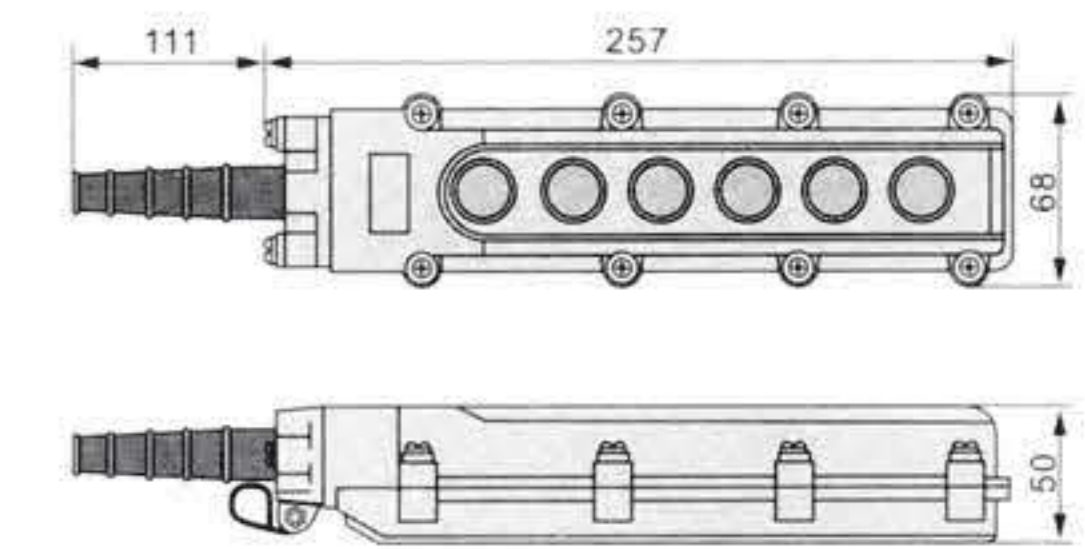
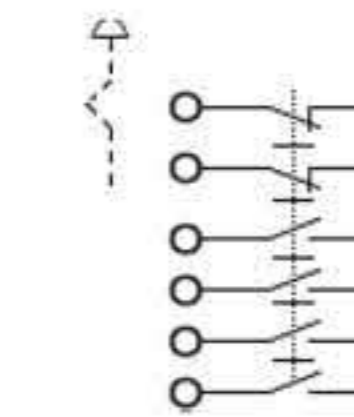
Circuit :



IS-XCD63
Normal on and normal off self-reset



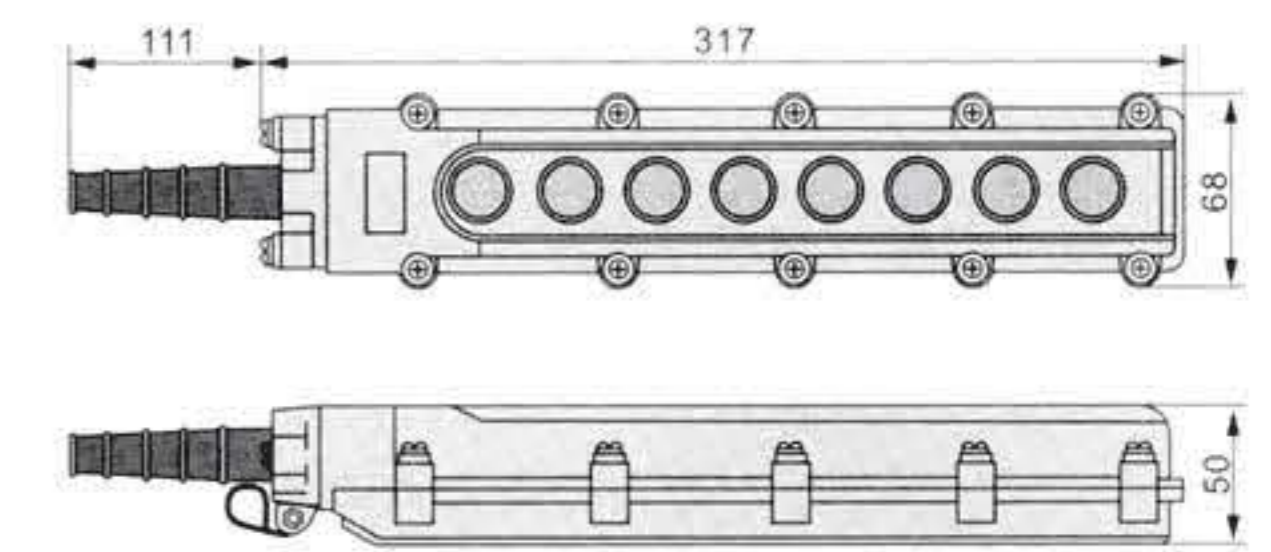
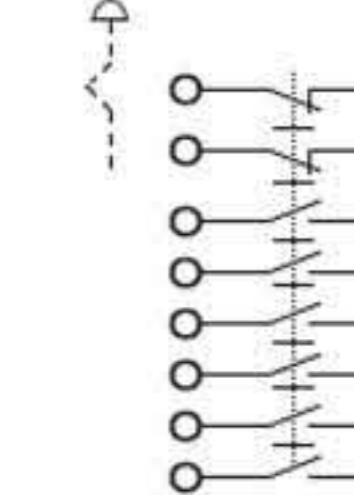
Circuit :



IS-XCD63A
Normal on and self-lock, reset is driven by off, two buttons inter-lock, self-reset, two couples normal-on-off triggers simultaneously



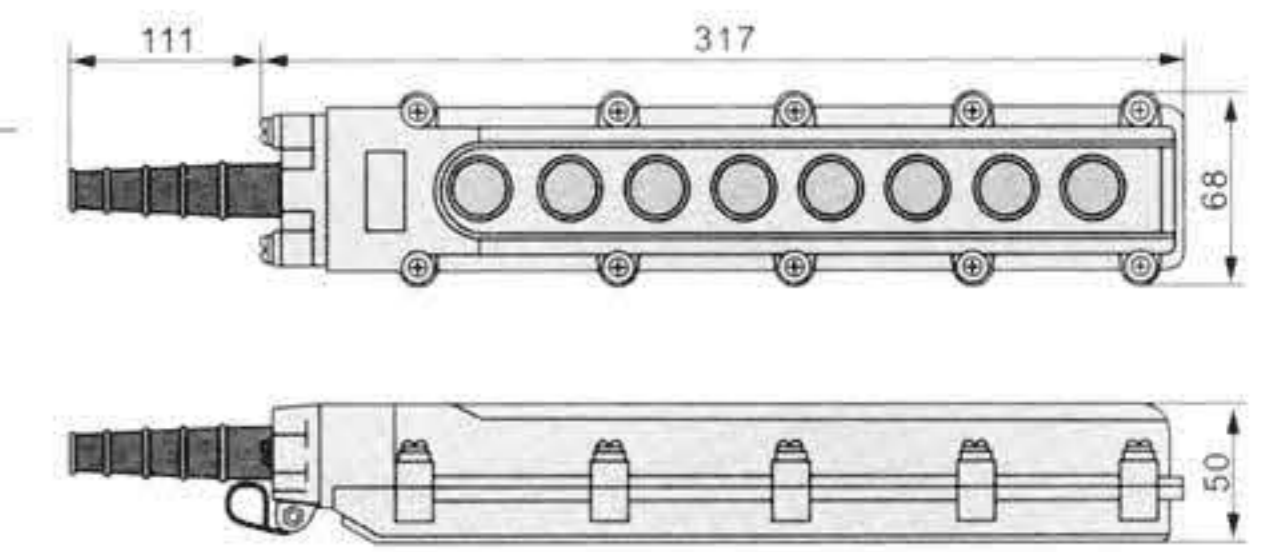
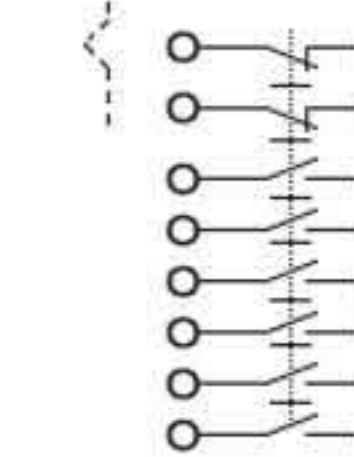
Circuit :



IS-XCD64
Normal on and self-lock



Circuit :





CRANE Control Switch Series

Made to Last . . .

ISLC 21 ISLC 22

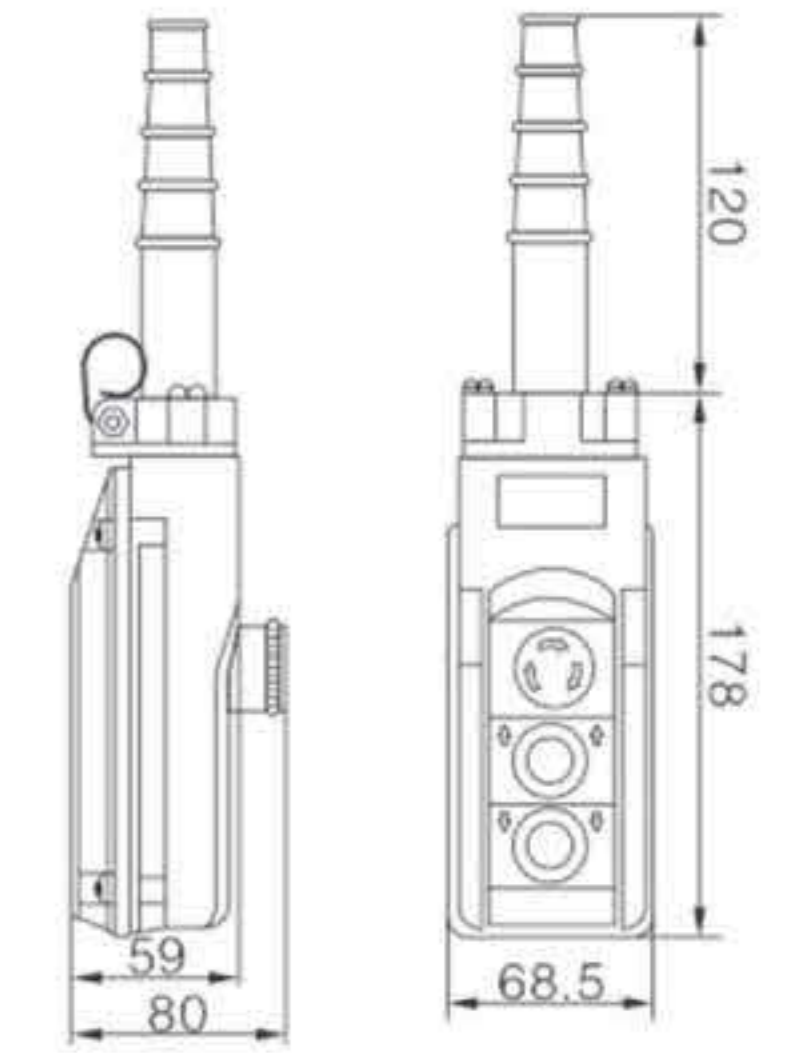
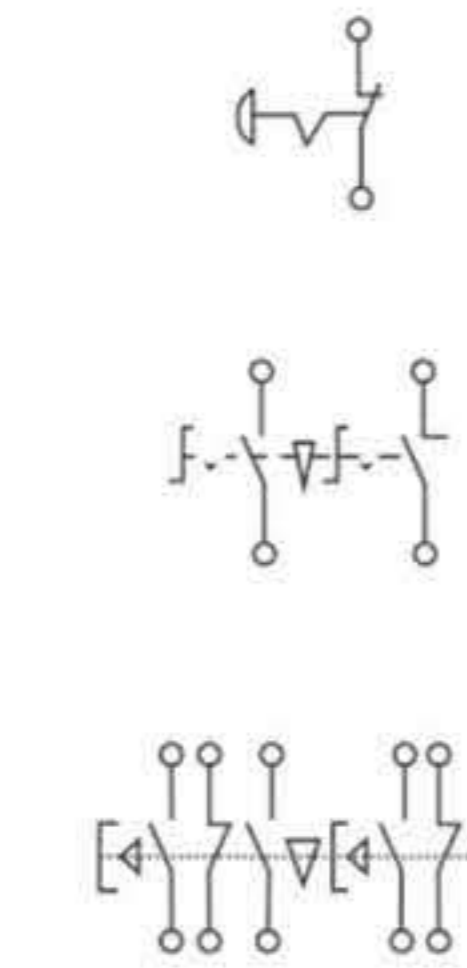
Push lock revolve
Urgent stop
Button; one off
(one off two on)

Ui : 500V
Ith : 10A
AC-15
500V~2A
250V~5A

- 1 Speed
- 2 Speed



Circuit :



ISLC 41 ISLC 42

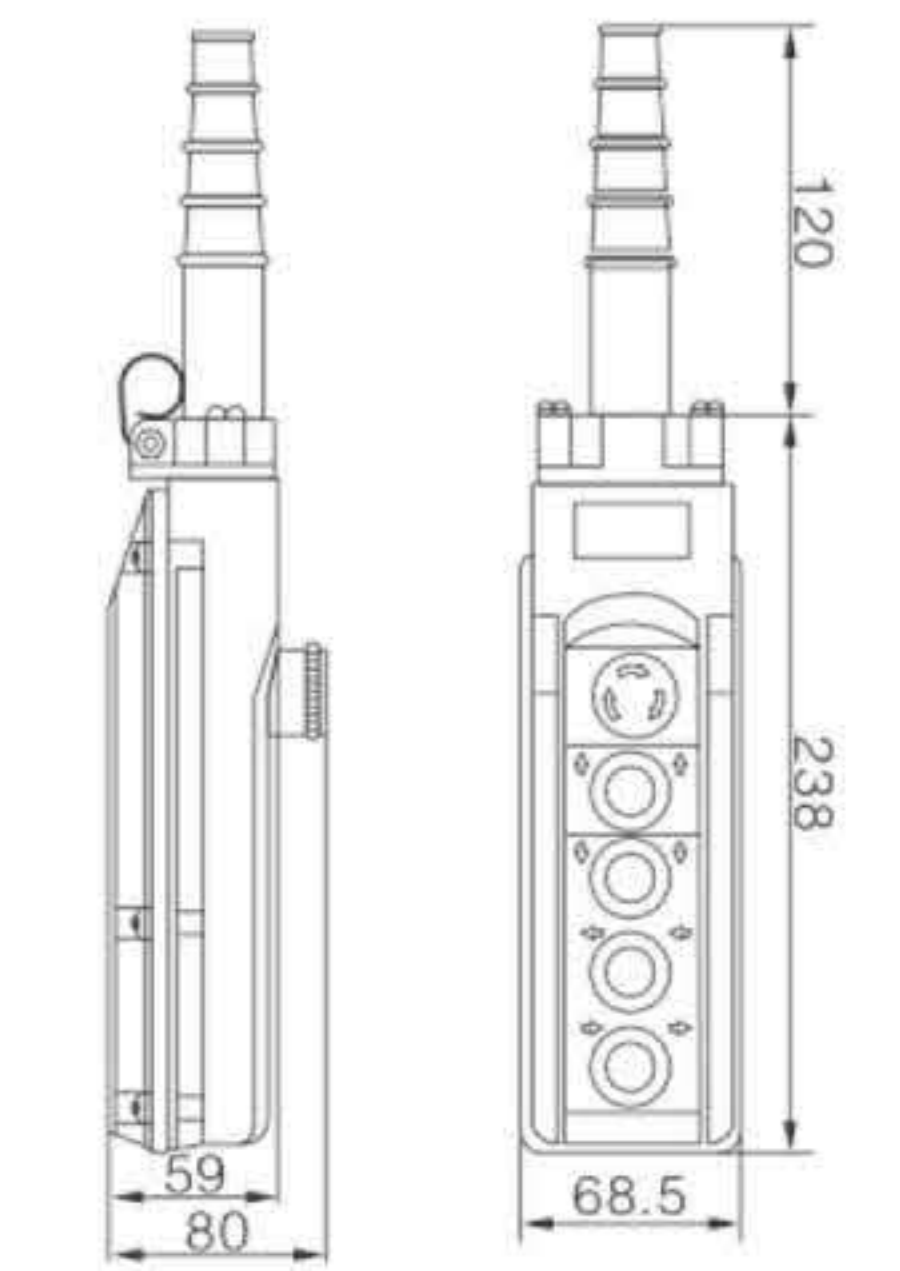
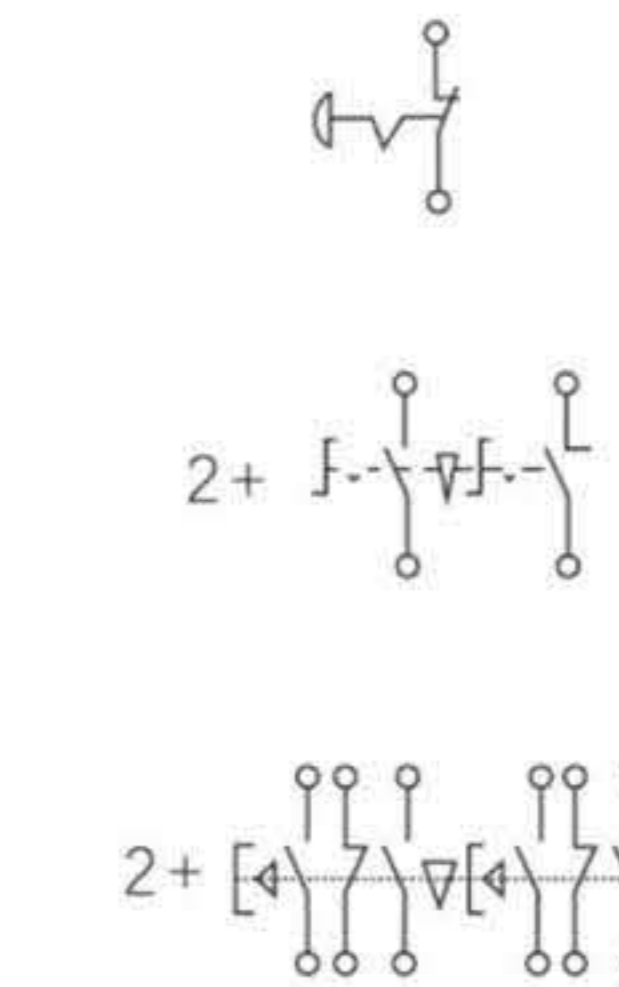
Push lock revolve
Urgent stop
Button; one off
(one off two on)

Ui : 500V
Ith : 10A
AC-15
500V~2A
250V~5A

- 1 Speed
- 2 Speed



Circuit :



ISLC 61 ISLC 62

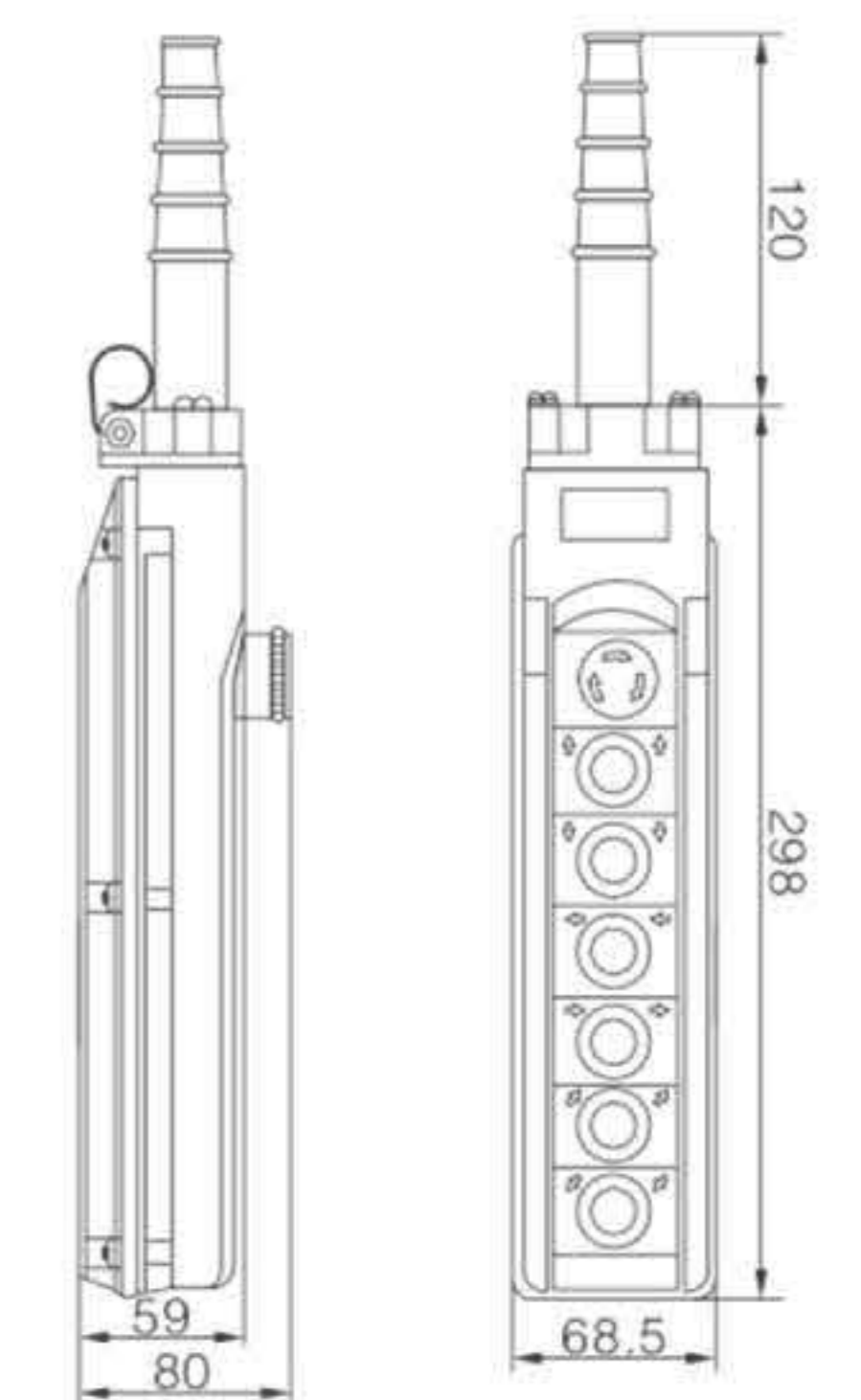
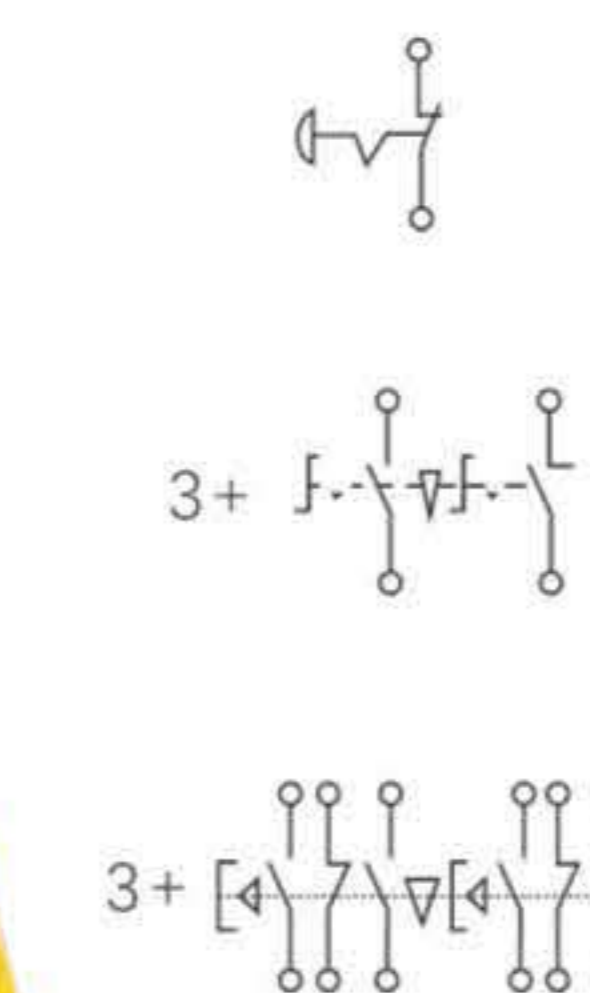
Push lock revolve
Urgent stop
Button; one off
(one off two on)

Ui : 500V
Ith : 10A
AC-15
500V~2A
250V~5A

- 1 Speed
- 2 Speed



Circuit :



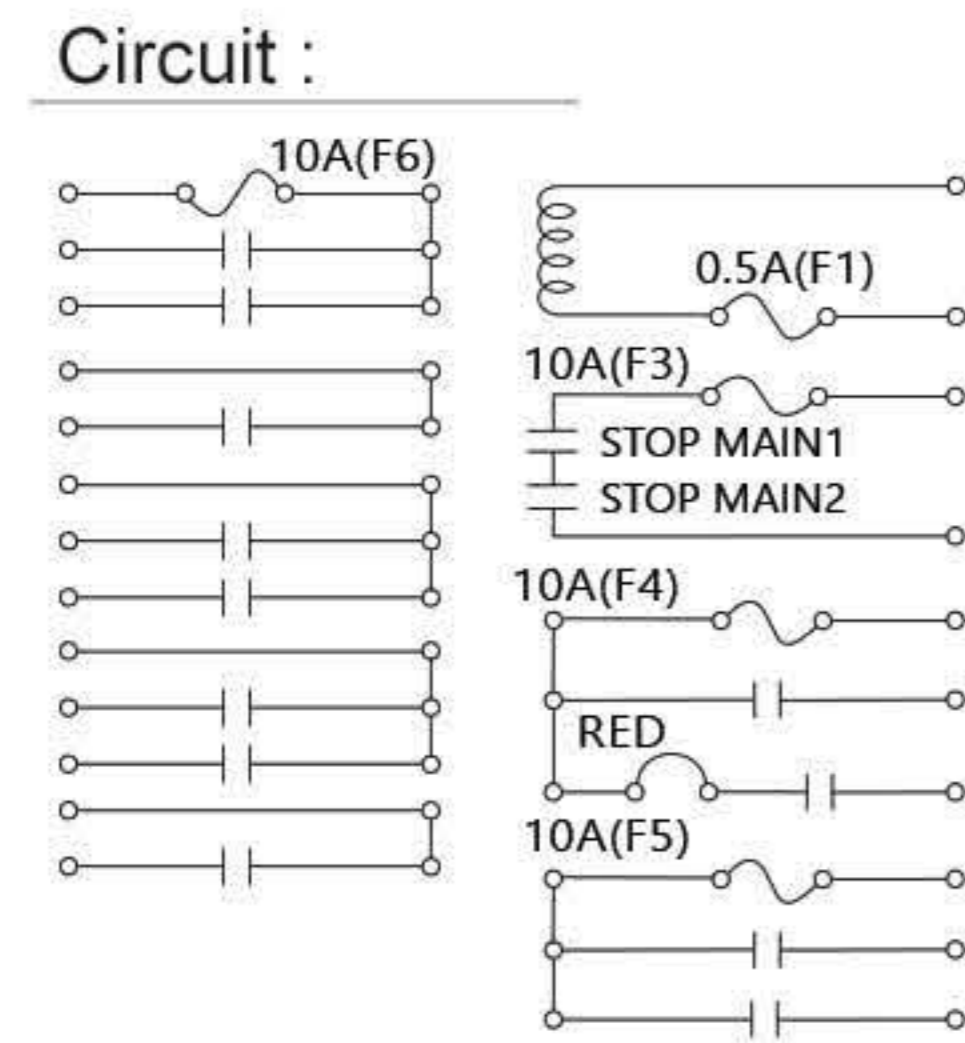
IS-F24-12S

Transmitter Parameters

Product shell: Glass-Fiber PA
 Size: 186×61×51mm
 Weight:280g
 Transmitter power: 2 AA alkaline batteries
 Safety code: 32 bit
 Temperature range: -35°C~+80°C
 Control distance: ≤100 M

Receiver Parameters

Product shell: Glass-Fiber PA
 Size: 210×162×107mm
 Weight:1220g
 Receiver power: 24V, 36V, 220V, 380 voltage
 Safety code: 32 bit
 Temperature range: -35°C~+80°C
 Cable length:1.2 metre
 Output contactor capacity: 5 AMP hermetically sealed relay



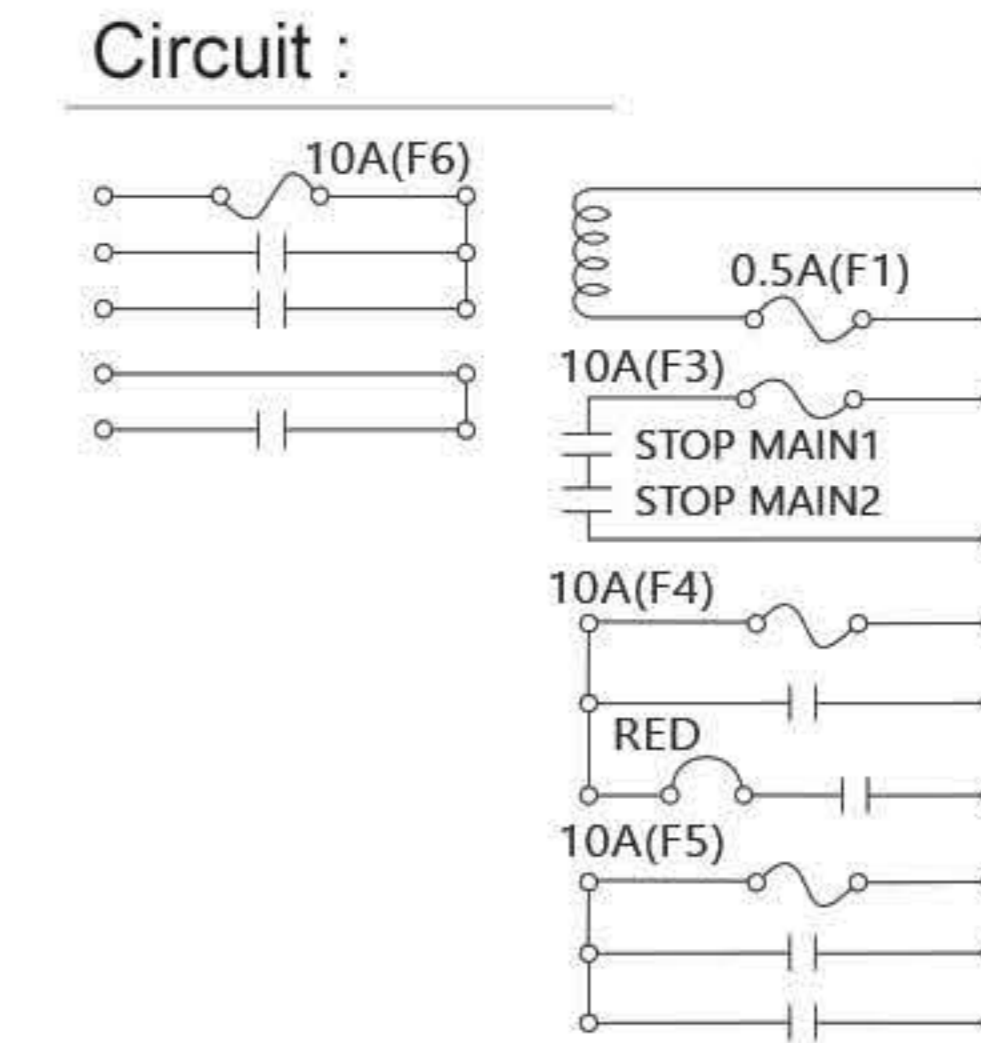
IS-F24-6S

Transmitter Parameters

Product shell: Glass-Fiber PA
 Size: 156×61×51mm
 Weight:280g
 Transmitter power: 2 AA alkaline batteries
 Safety code: 32 bit
 Temperature range: -35°C~+80°C
 Control distance: ≤100 M

Receiver Parameters

Product shell: Glass-Fiber PA
 Size: 210×162×107mm
 Weight:1220g
 Receiver power: 24V, 36V, 220V, 380 voltage
 Safety code: 32 bit
 Temperature range: -35°C~+80°C
 Cable length:1.2 metre
 Output contactor capacity: 5 AMP hermetically sealed relay



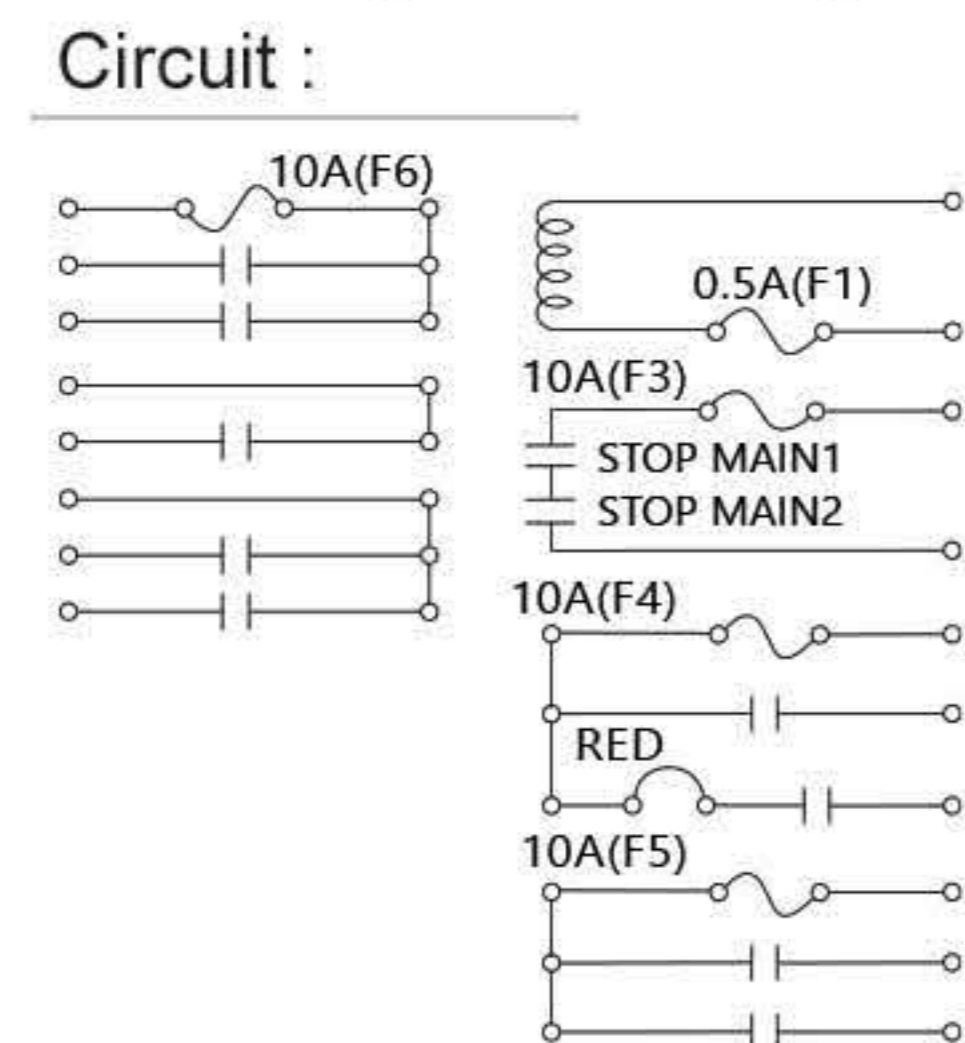
IS-F24-8S

Transmitter Parameters

Product shell: Glass-Fiber PA
 Size: 186×61×51mm
 Weight:280g
 Transmitter power: 2 AA alkaline batteries
 Safety code: 32 bit
 Temperature range: -35°C~+80°C
 Control distance: ≤100 M

Receiver Parameters

Product shell: Glass-Fiber PA
 Size: 210×162×107mm
 Weight:1220g
 Receiver power: 24V, 36V, 220V, 380 voltage
 Safety code: 32 bit
 Temperature range: -35°C~+80°C
 Cable length:1.2 metre
 Output contactor capacity: 5 AMP hermetically sealed relay



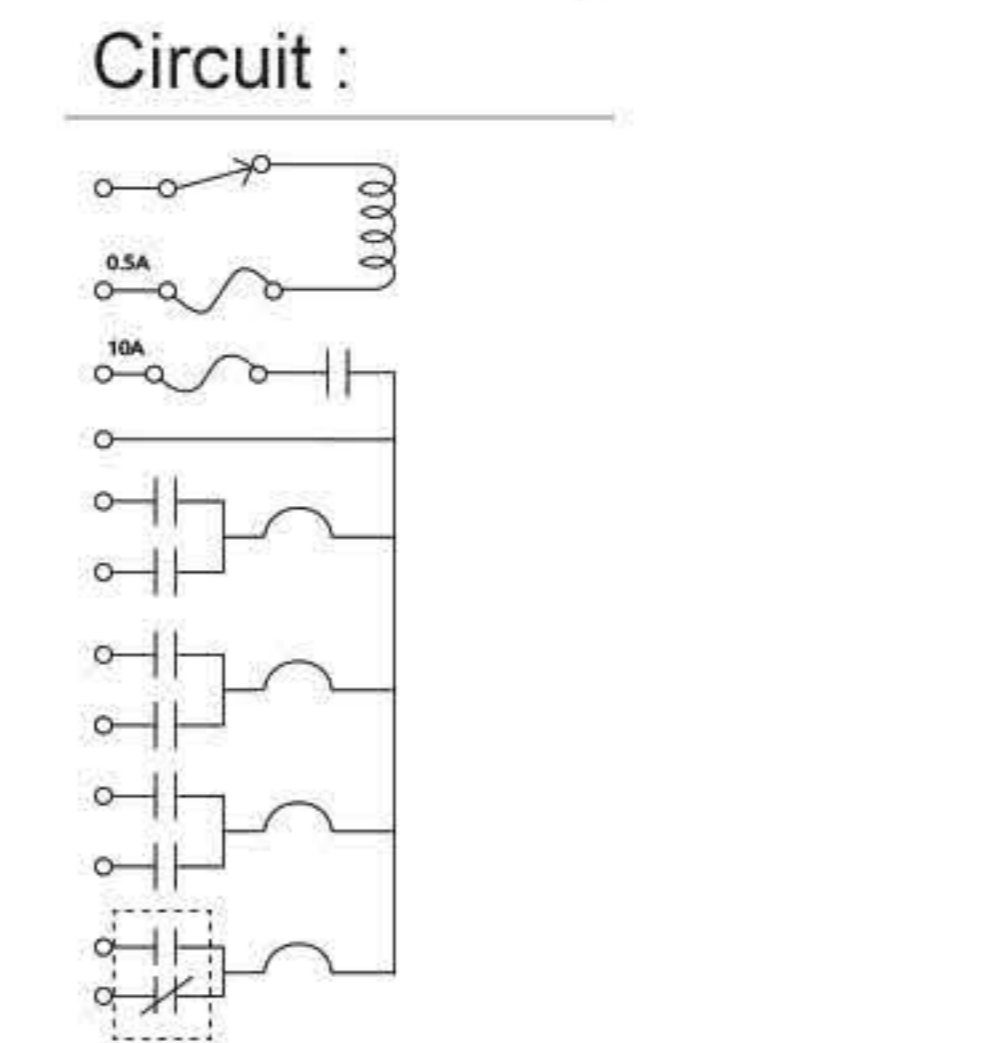
IS-F24-4S

Transmitter Parameters

Product shell: Glass-Fiber PA
 Size: 156×61×51mm
 Weight:280g
 Transmitter power: 2 AA alkaline batteries
 Safety code: 32 bit
 Temperature range: -35°C~+80°C
 Control distance: ≤100 M

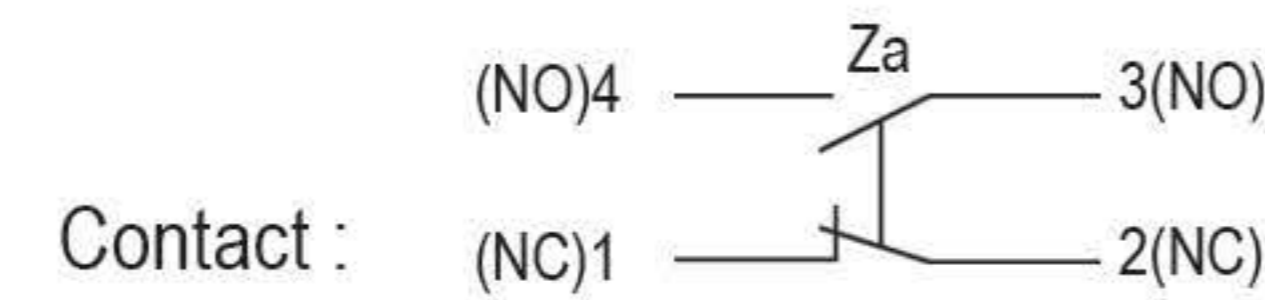
Receiver Parameters

Product shell: Glass-Fiber PA
 Size: 210×162×107mm
 Weight:1220g
 Receiver power: 24V, 36V, 220V, 380 voltage
 Safety code: 32 bit
 Temperature range: -35°C~+80°C
 Cable length:1.2 metre
 Output contactor capacity: 5 AMP hermetically sealed relay



IS Series

- Compact new design approximately 3/1 the size of bigger vertical Limit Switches.
- Structure enables the terminal section to be fully opened for easy wiring.
- Degree of protection: IP65



Ratings

Rated voltage	Noninductive Load (A)				Inductive Load (A)			
	Resistance Load		Lamp Load		Inductive Load		Motor Load	
	NC	NO	NC	NO	NC	NO	NC	NO
125VAC	5	5	1.5	0.7	3	3	2	1
250VAC	5	5	1	0.5	3	3	1.5	0.8
8VDC	5	5	3	3	5	4	3	3
14VDC	5	5	3	3	4	4	3	3
30VDC	5	5	3	3	4	4	3	3
125VDC	0.4	0.4						
250VDC	0.2	0.2						
Inrush Current	N.C.:24A N.O.:12A N.C. below 24A, N.O. below 12A							

Note:

1. Inductive load has a power factor of 0.4 min.(AC) and a time constant of 7 msec.max.(DC).
2. Lamp load has an inrush current of 10 times the steady-state current, while motor load has an inrush current of 6 times the steady-state current.
3. Product with spring, its usable range of operating part is within one third of the whole spring length from the front end of spring.

Characteristics

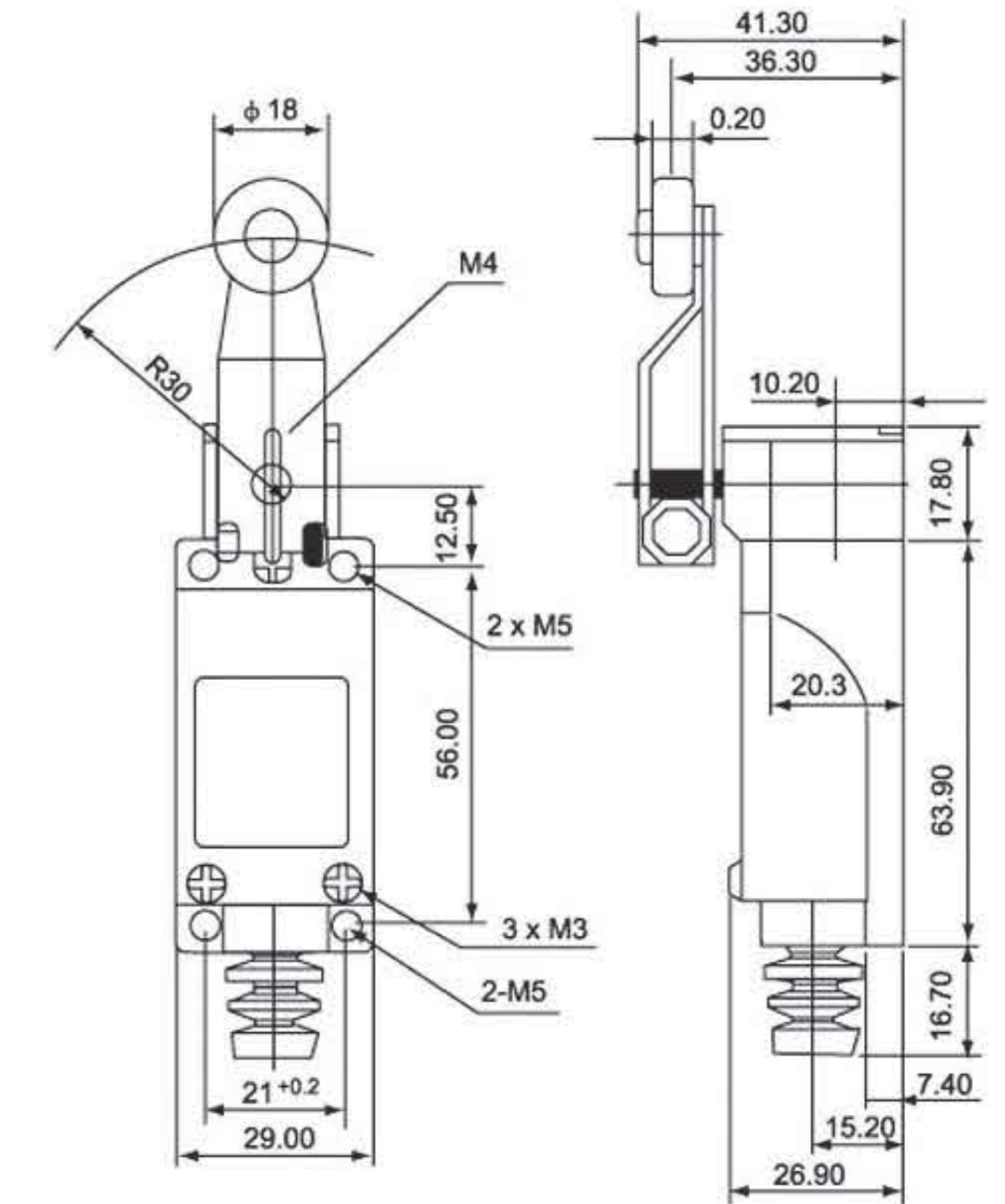
Operation speed	0.5mm-50cm/sec
Operating frequency	Mechanical: 120 operations/minute Electrical: 30 operations/minute
Contact resistance	25mΩ max. (initial value)
Insulation resistance	100mΩ min. (below 500VDC)
Dielectric strength	1000VAC, 50/60 Hz for 1 minute between terminals of the same polarity
	1500VAC, 50/60 Hz for 1 minute between current-carrying and non-current-carrying metal ports
	1500VAC, 50/60 Hz for 1 minute between each terminal and ground
Vibration	10-55Hz, 1.5mm double amplitude
Shock	Mechanical durable: 1,000m/Sec ² (about 100G'S) Malfunction: 300m/Sec ² (about 30G'S)
Ambient temperature	-5~+65°C (With no icing)
Humidity	<95% RH
Weight	About 130 to 190g
Degree of protection	IP65

IS-8104



Operating Characteristics

OF (Max)	5.88N
RF (Min)	0.49N
PT(Max)	20°
OT (Min)	75°
MD (Max)	10°
TT (Min)	95°
OP	-

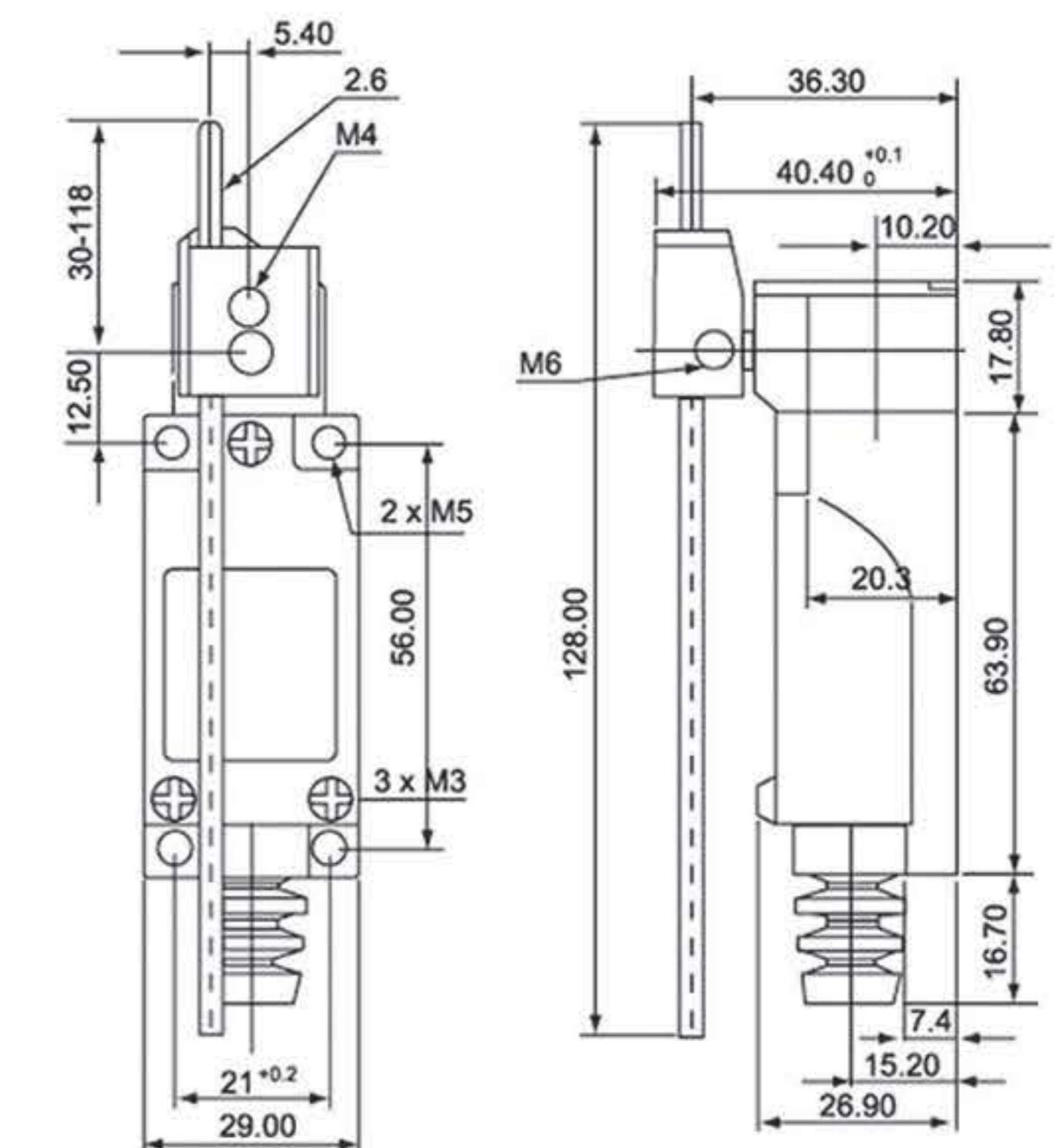


IS-8107



Operating Characteristics

OF (Max)	5.88N
RF (Min)	0.69N
PT(Max)	20°
OT (Min)	75°
MD (Max)	10°
TT (Min)	95°
OP	-

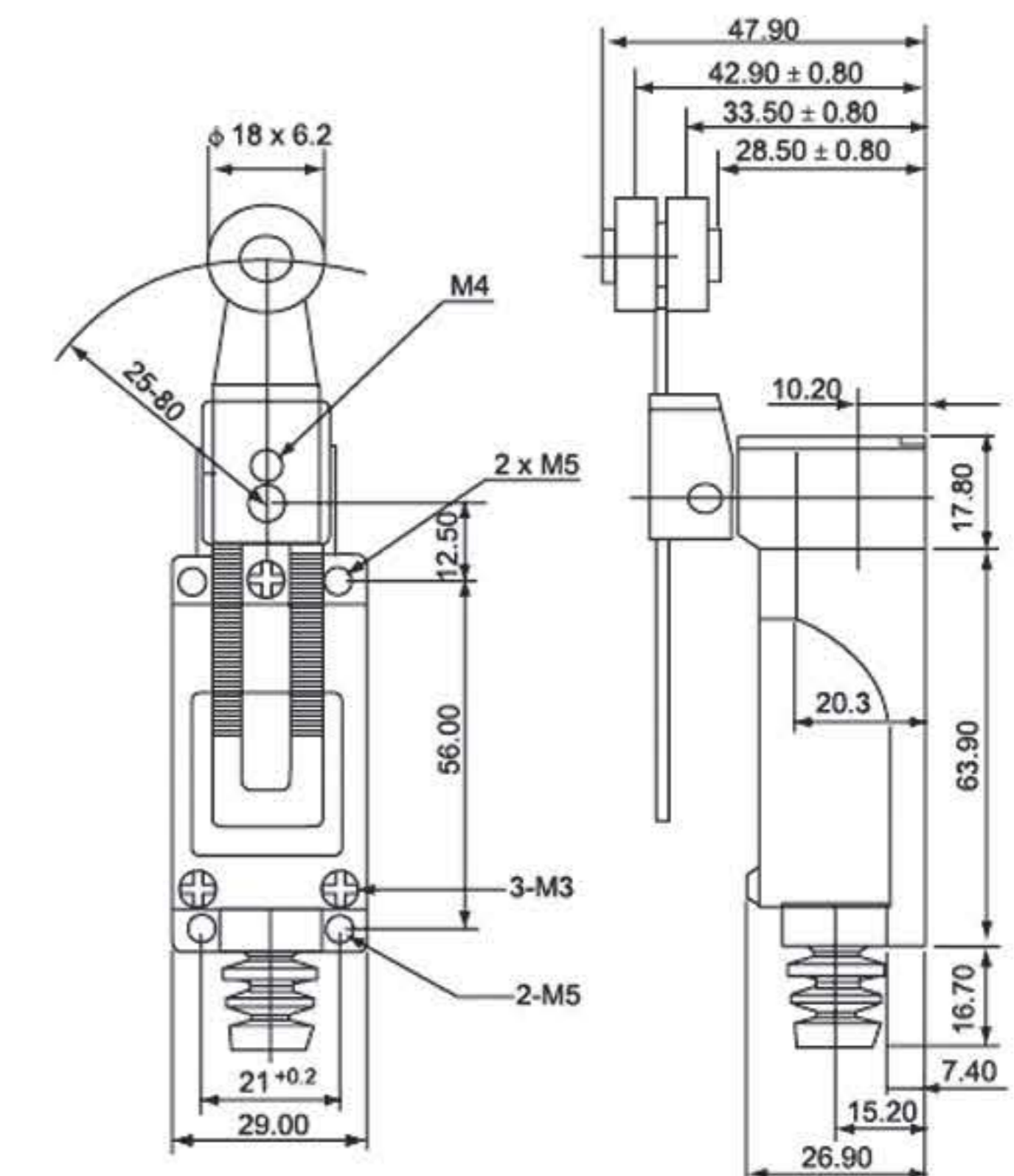


IS-8108



Operating Characteristics

OF (Max)	7.84N
RF (Min)	0.49N
PT(Max)	20°
OT (Min)	75°
MD (Max)	10°
TT (Min)	95°
OP	-

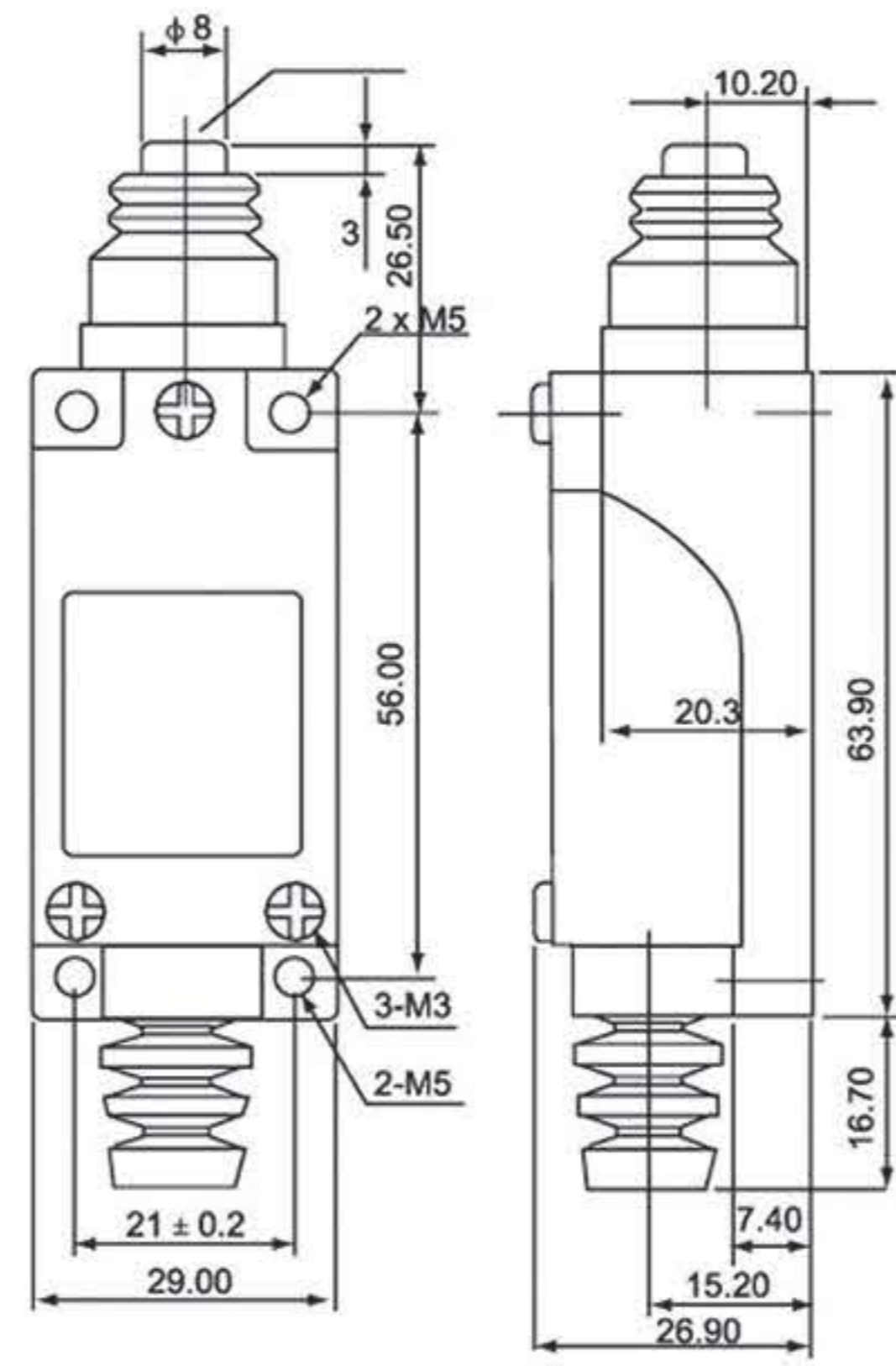


IS-8111



Operating Characteristics

OF (Max)	9.8N
RF (Min)	2.94N
PT(Max)	1.5mm
OT (Min)	4mm
MD (Max)	1.2mm
TT (Min)	5.5mm
OP	26±0.8mm

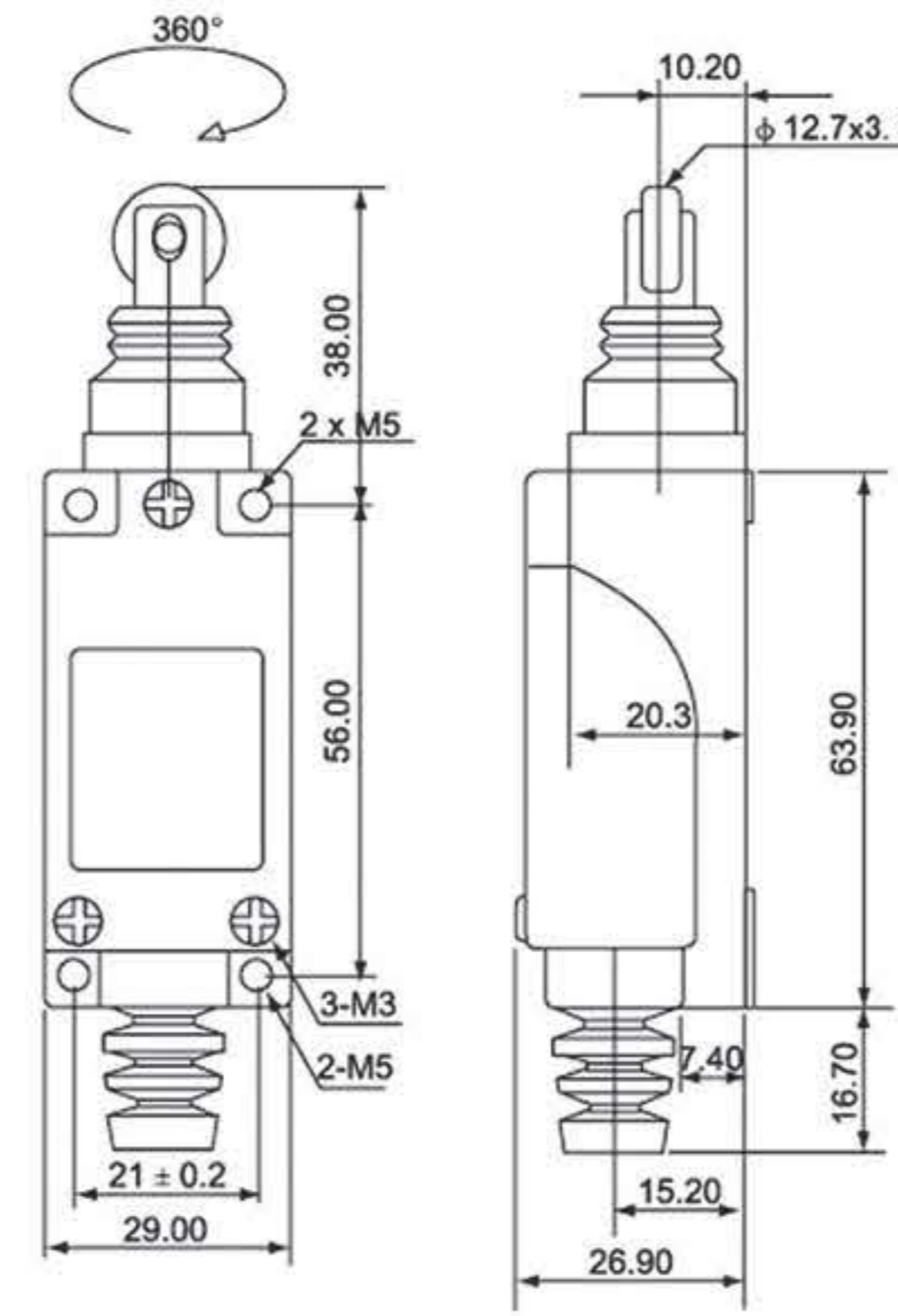


IS-8112



Operating Characteristics

OF (Max)	9.8N
RF (Min)	2.94N
PT(Max)	1.5mm
OT (Min)	4mm
MD (Max)	1.2mm
TT (Min)	5.5mm
OP	-

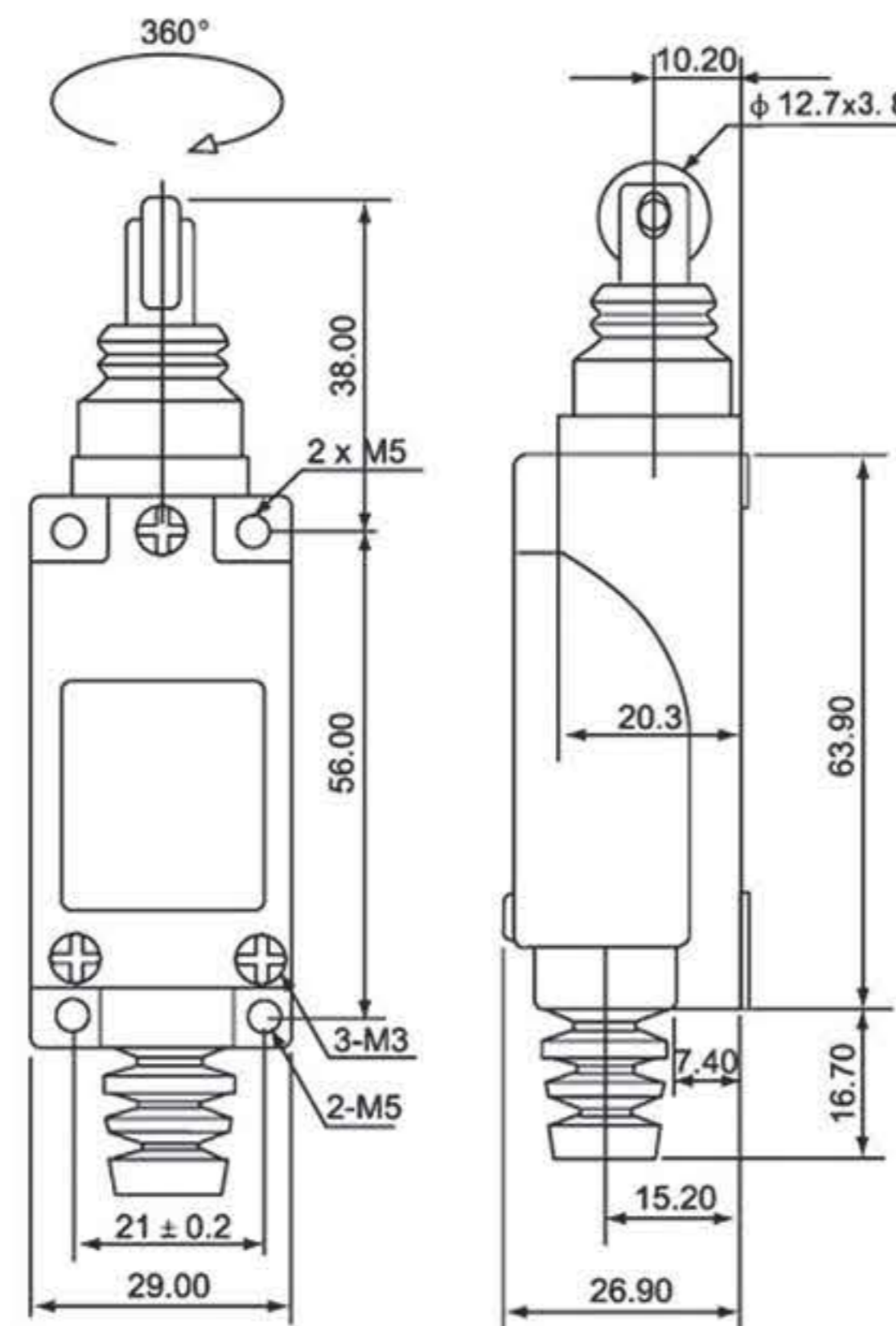


IS-8122



Operating Characteristics

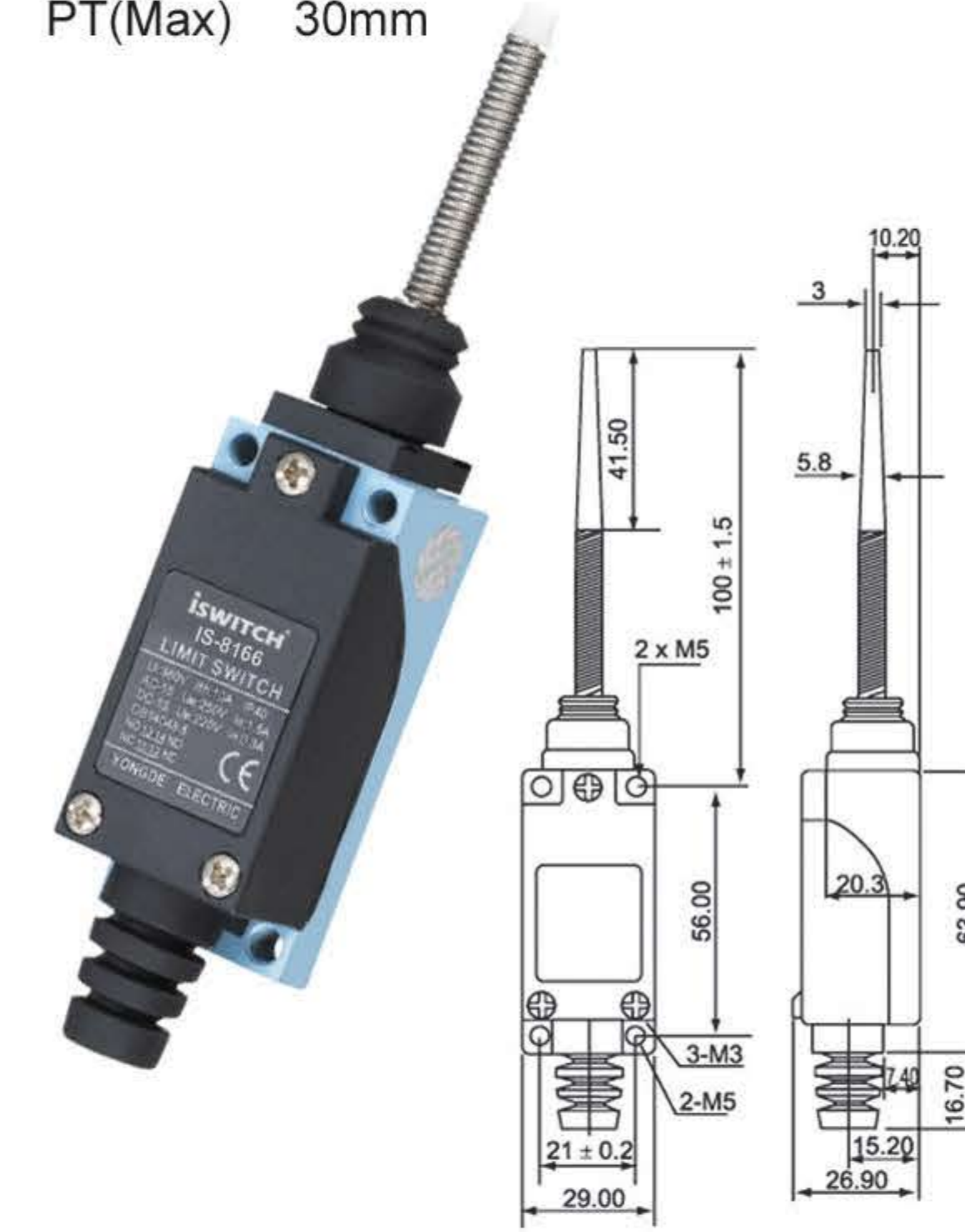
OF (Max)	9.8N
RF (Min)	2.94N
PT(Max)	1.5mm
OT (Min)	4mm
MD (Max)	1.2mm
TT (Min)	5.5mm
OP	-



IS-8166

Operating Characteristics

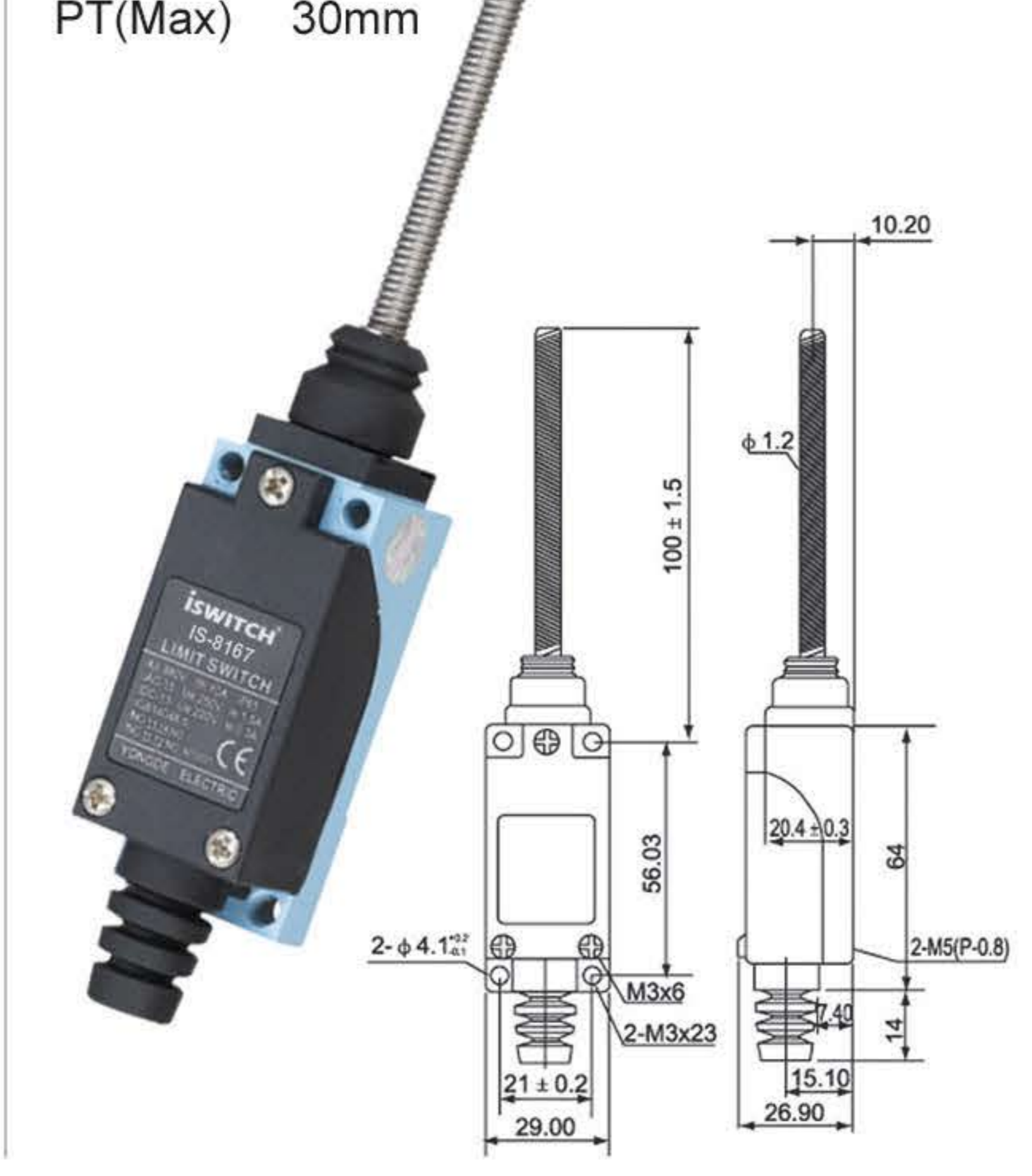
OF (Max)	0.88N
PT(Max)	30mm



IS-8167

Operating Characteristics

OF (Max)	0.88N
PT(Max)	30mm



IS-8168

Operating Characteristics

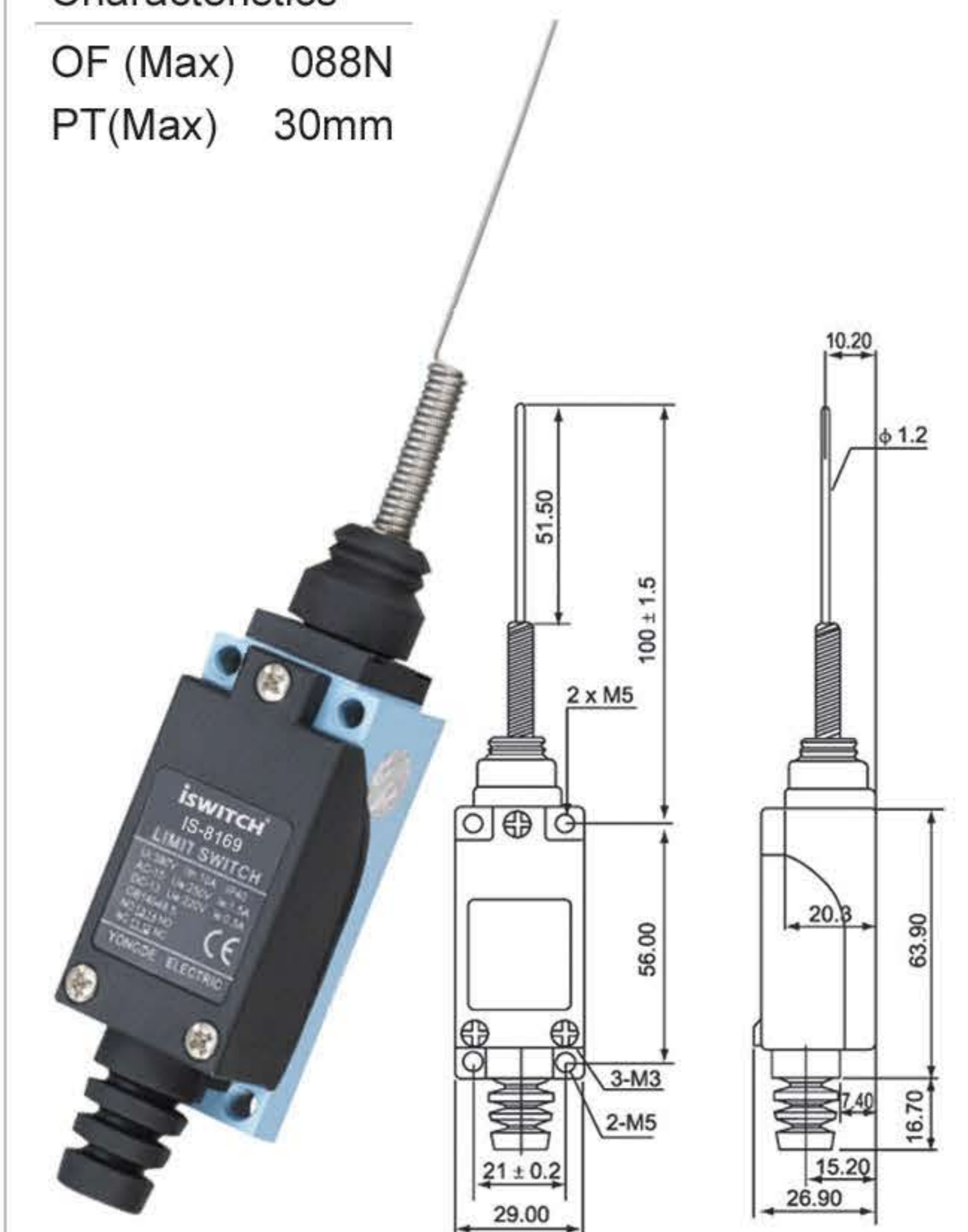
OF (Max)	0.88N
PT(Max)	30mm



IS-8169

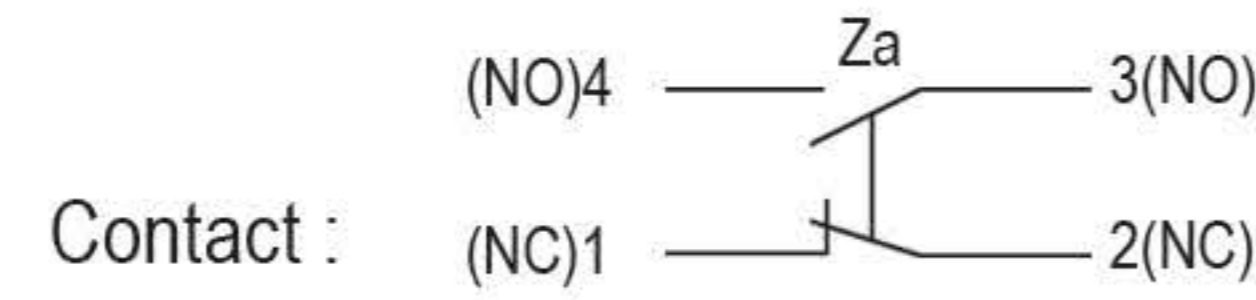
Operating Characteristics

OF (Max)	0.88N
PT(Max)	30mm



ISC Series

- Strong metal outer shell, swing arm max. ±95°
- Stainless steel idler wheel, punch and spring
- Selective M18x1.5 cable gland



Characteristics

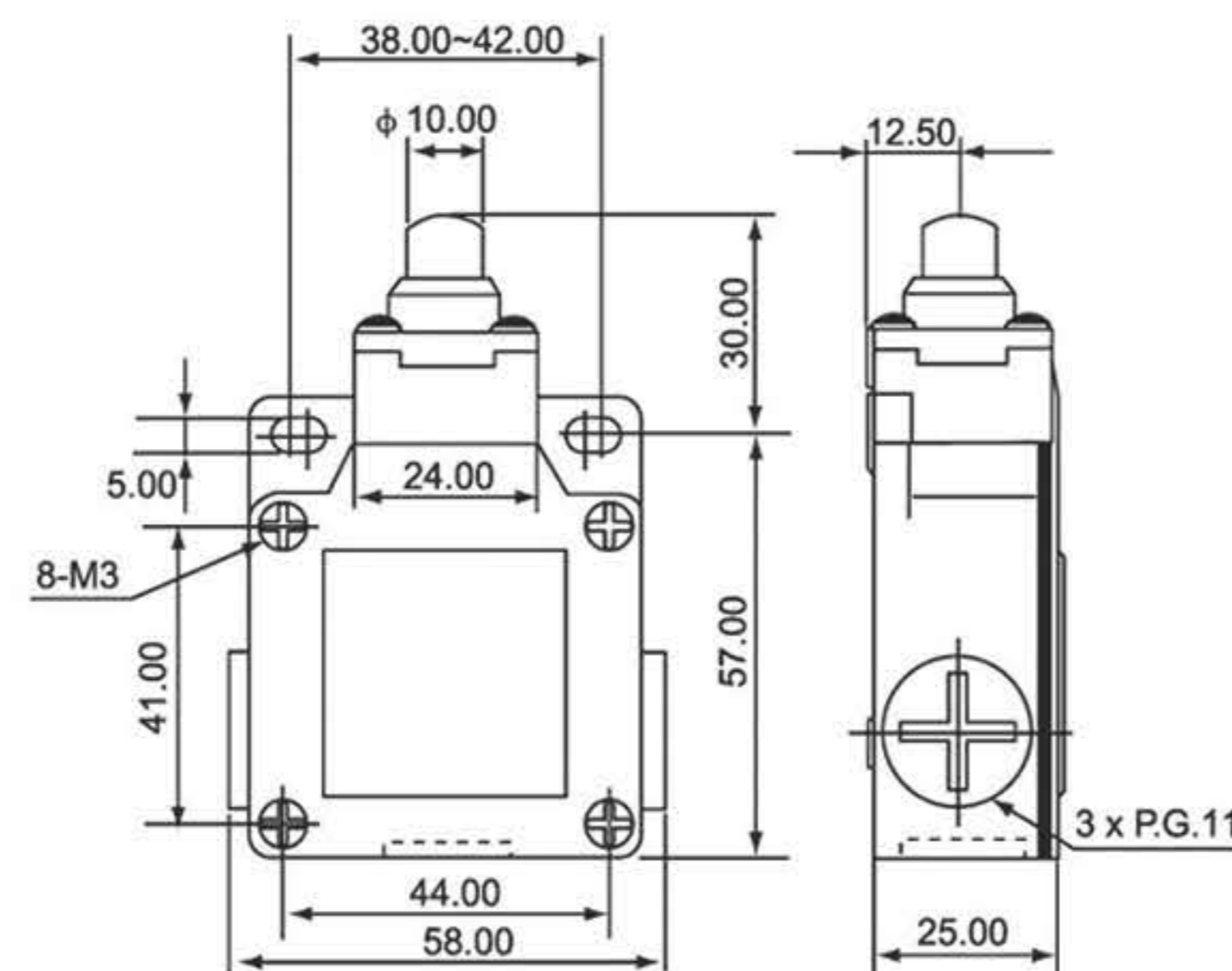
Double Breck Mechanism	INO+INC Force Break snap action
Rated Voltage / Current	10(4)A, 125, 250VAC / 6(2)A, 380VAC For inductance Load, Cos φ = 0.4
Contact Resistance	25mΩ max.(initial value)
Insultation Resistance	100m min. (at 500 VDC)
Dielectric Strength	1000VAC, 50/60 Hz for 1 minute between terminals of the same polarity
	1500VAC, 50/60 Hz for 1minute between current-carrying and non-current-carrying metal parts
Opercting Speed	5mm/s to 0.5m/s
	Degree of Protection
Ambient Temperature Rised	Max 30°C over ambient temperature at rated voltage/current
Conformed Standards	Cenelec EN 50041, EN 50047, IEC 337-1, VDE 0660
Opercting Temperature	-5°C --+65°C (with no icing)
Storage Temperature	-5°C --+65°C (with no icing)
Ambient Opercting Humdity	95% RH Max.
Shock Resistance	Mechanical durable: 1000m/s ² min. Malfunction: 300m/s ² min.
Vibration Frequency	Malfunction: 10 to 55Hz, 1.5mm double amplitude
Temrinal Screw Torsional Force	6-8 kgf-cm
Other Screw Torsional Force	Cover 12-14 kgf-cm/Head 8-9 kgf-cm/Mounting 50-60 kgf/cm
Bare Wire Diameter	∅ 2 Max
Cable Diameter	∅ 12 Max (IP 65 if use cable ∅ 8-9)

ISC-001



Operating Characteristics

OF (Max)	7.84N
RF (Min)	3.92N
PT(Max)	1.8mm
TP± 10%	2.0mm
MD (Max)	1.2mm
OT (Min)	4.0mm
TT (Min)	5.8mm

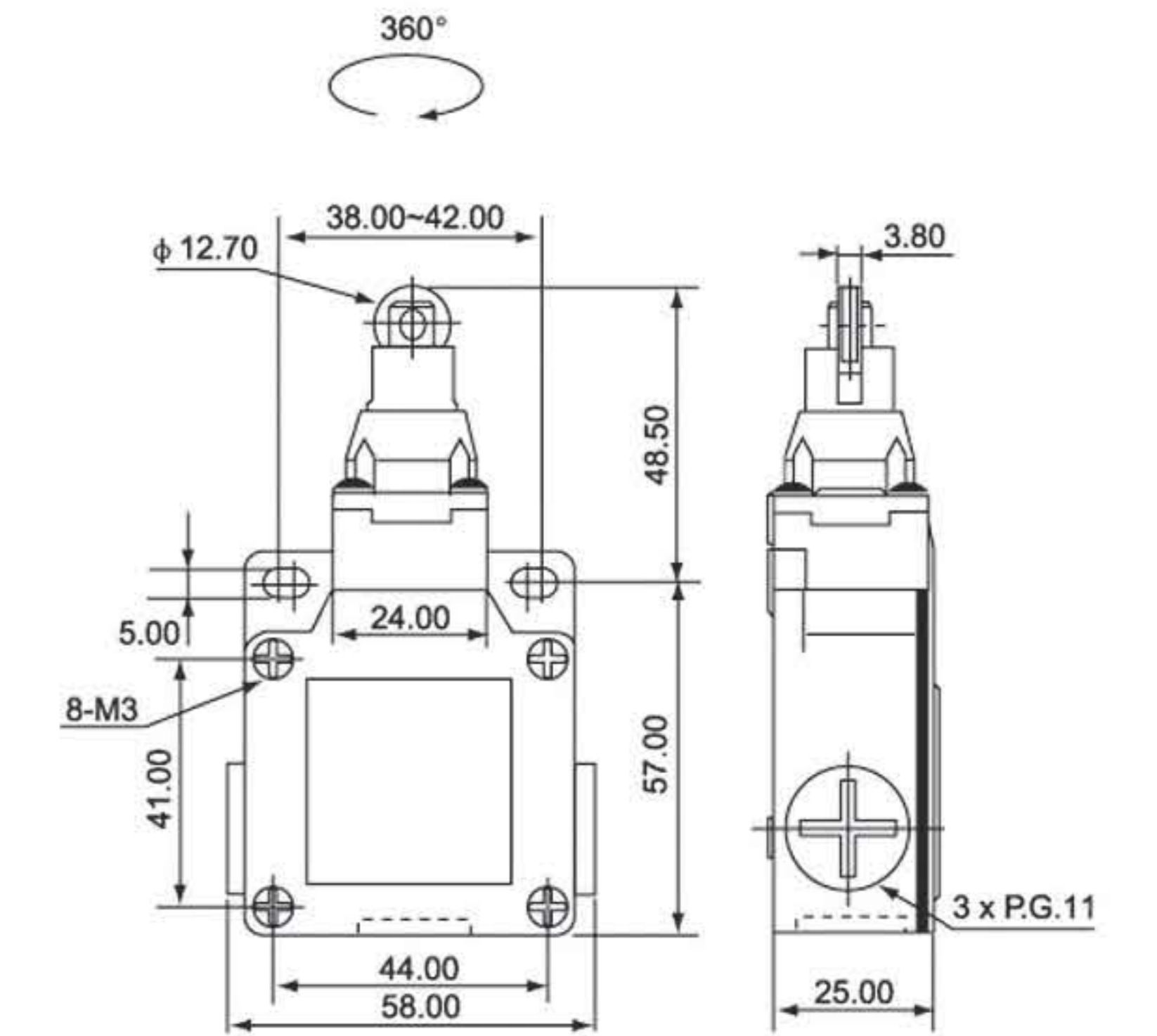


ISC-003



Operating Characteristics

OF (Max)	7.84N
RF (Min)	3.92N
PT(Max)	1.8mm
TP± 10%	2.0mm
MD (Max)	1.2mm
OT (Min)	4.0mm
TT (Min)	5.8mm

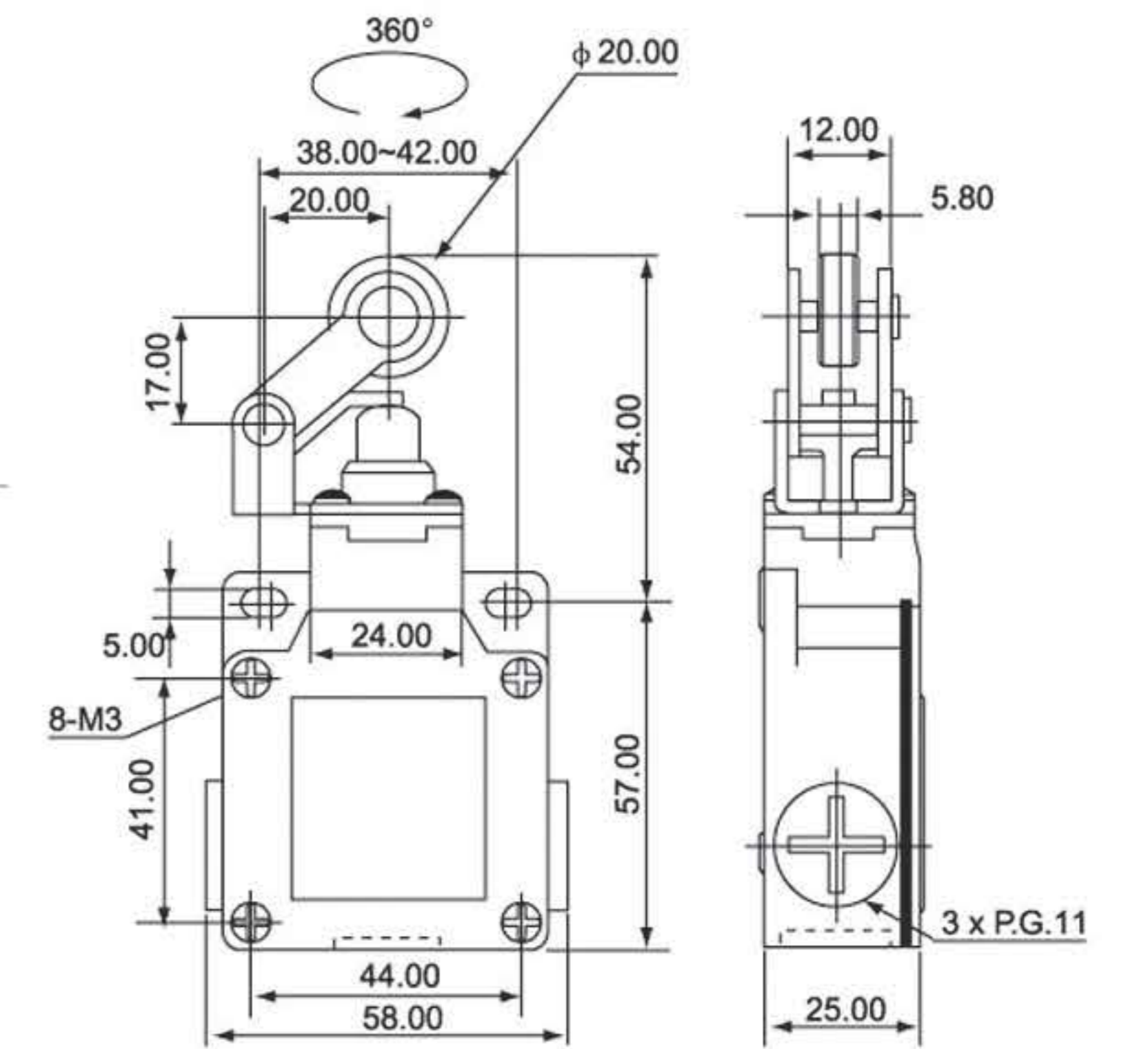


ISC-012



Operating Characteristics

OF (Max)	7.84N
RF (Min)	3.92N
PT(Max)	1.8mm
TP± 10%	2.0mm
MD (Max)	1.2mm
OT (Min)	4.0mm
TT (Min)	5.8mm

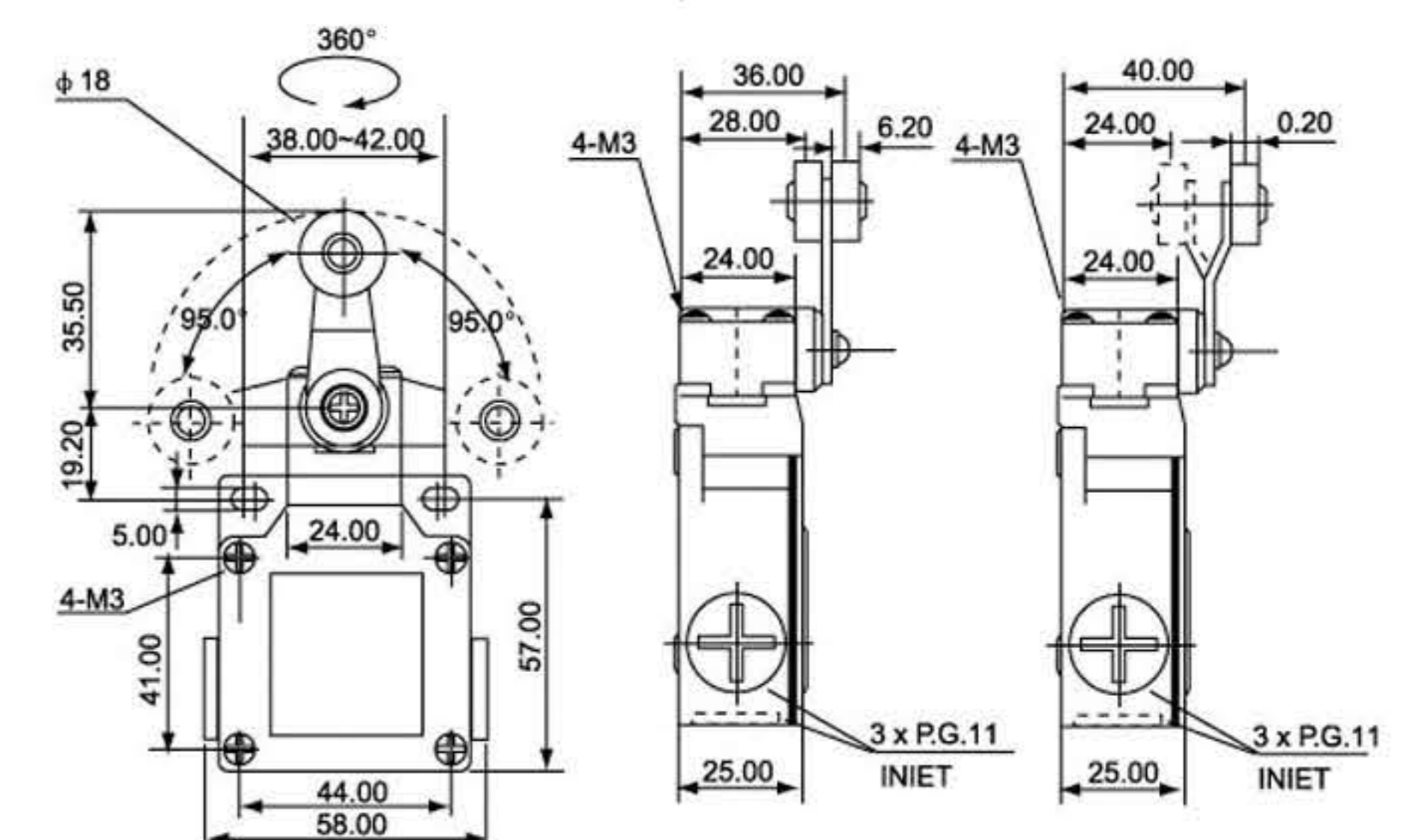


ISC-021



Operating Characteristics

OF (Max)	3.92N	MD (Max)	10°
RF (Min)	0.98N	OT (Min)	75°
PT(Max)	20°	TT (Min)	95°
TP± 10%	22.5°	RI	22.5°

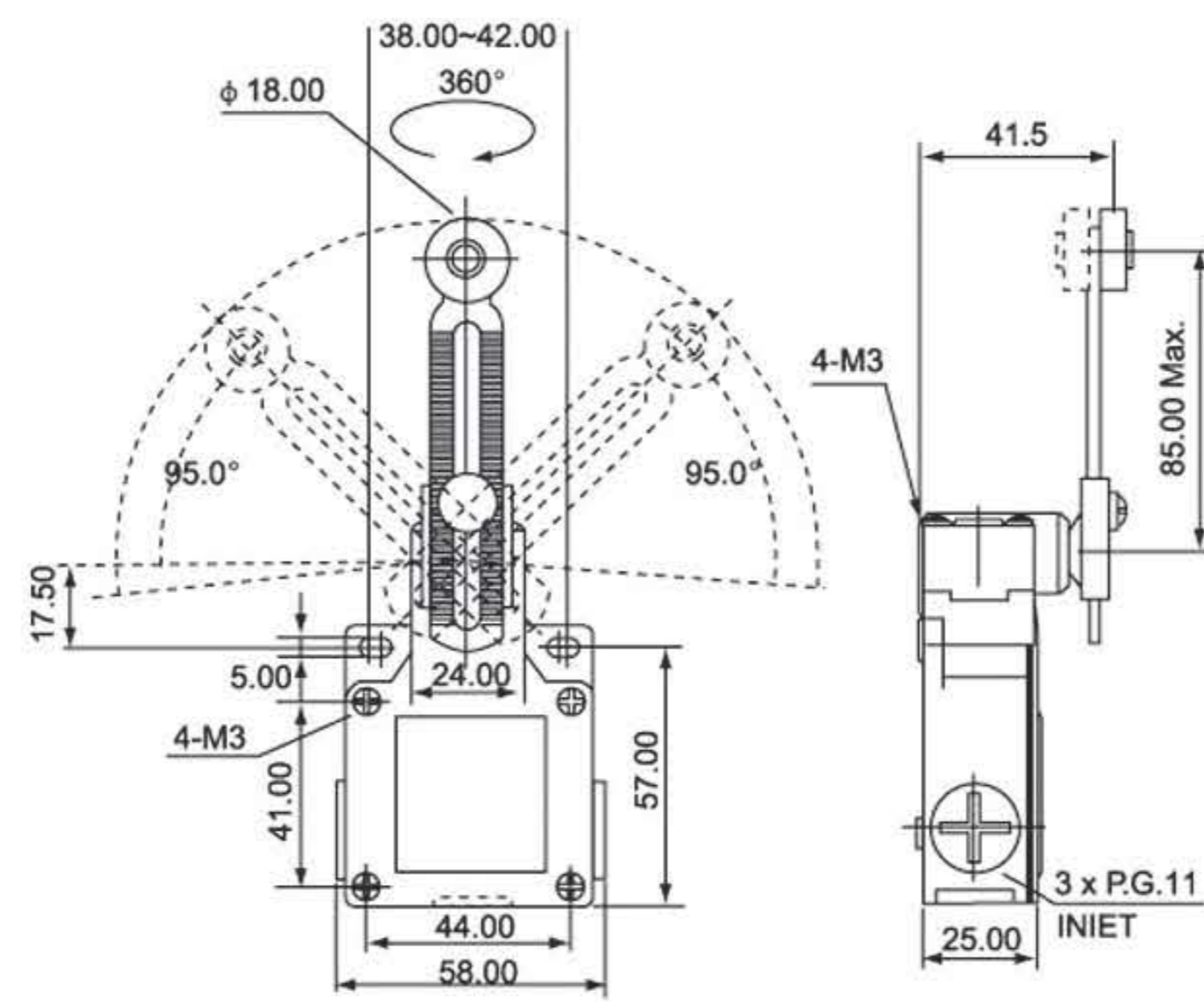


ISC-031



Operating Characteristics

OF (Max)	3.92N
RF (Min)	0.98N
PT(Max)	20°
TP ± 10%	22.5°
MD (Max)	10°
OT (Min)	75°
TT (Min)	95°
RI	22.5°

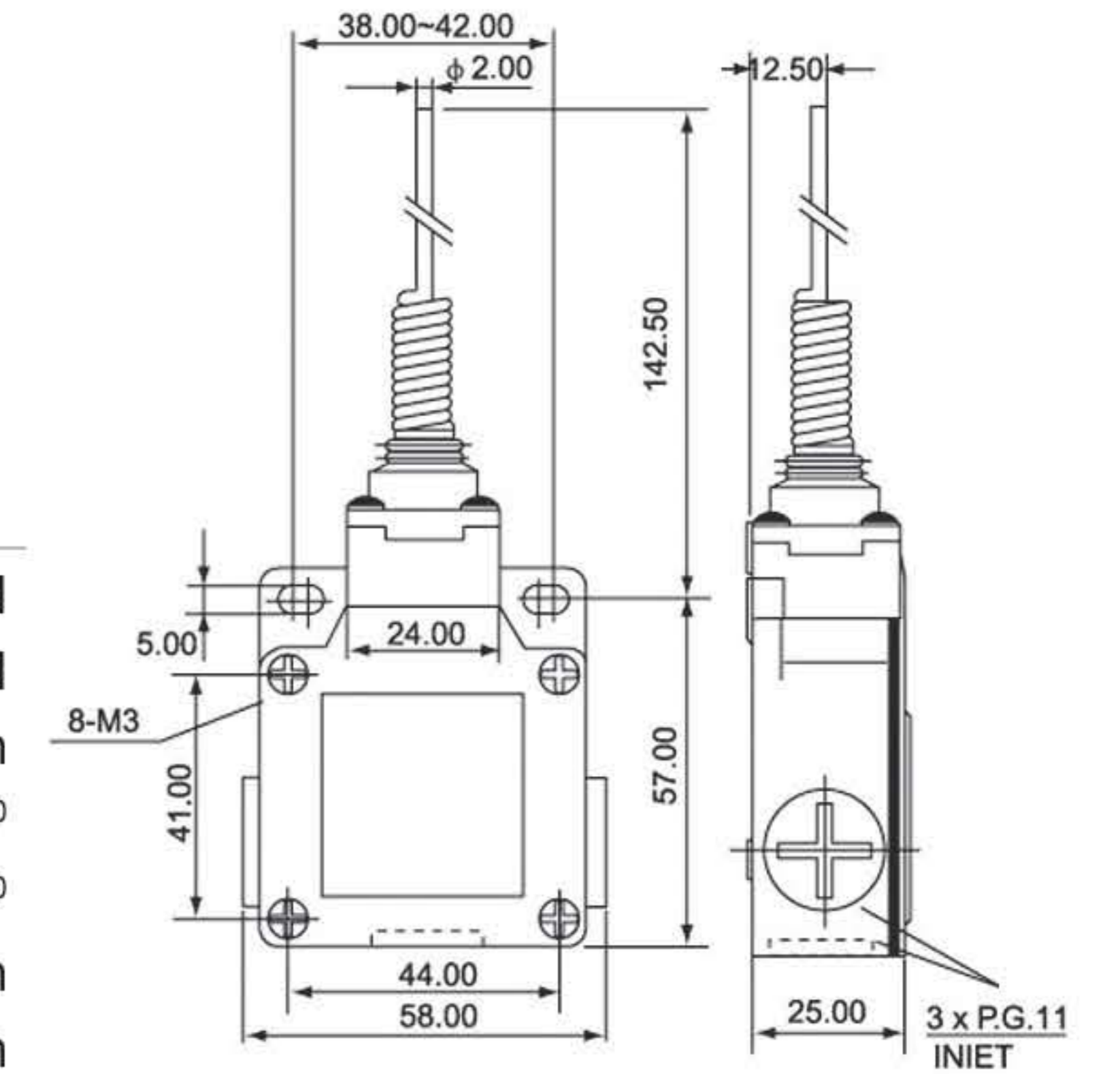


ISC-061



Operating Characteristics

OF (Max)	1.47N
RF (Min)	0.49N
PT(Max)	30mm
TP ± 10%	22.5°
MD (Max)	14°
OT (Min)	20mm
TT (Min)	50mm

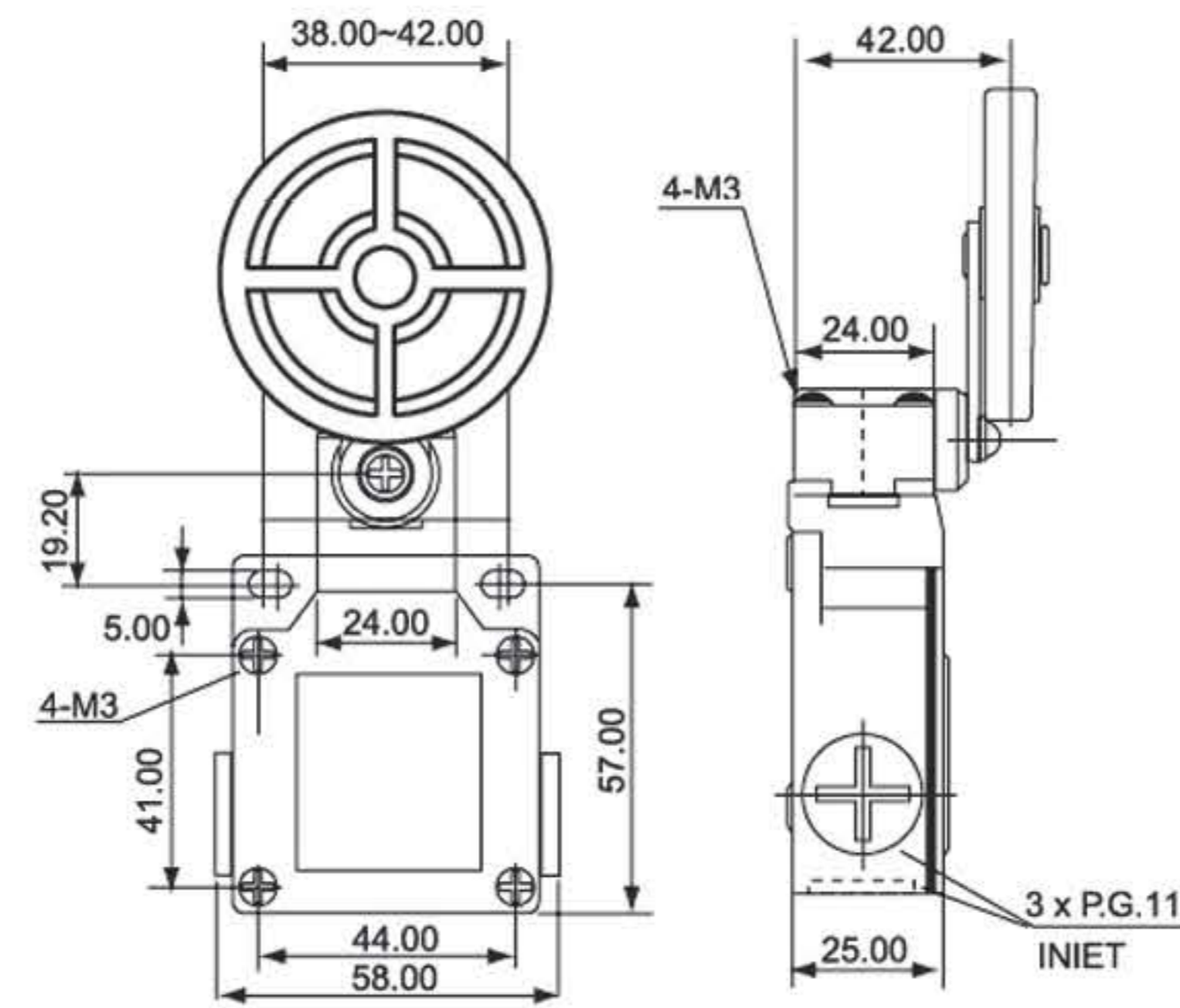


ISC-041



Operating Characteristics

OF (Max)	3.92N
RF (Min)	0.98N
PT(Max)	20°
TP ± 10%	22.5°
MD (Max)	10°
OT (Min)	75°
TT (Min)	95°
RI	22.5°

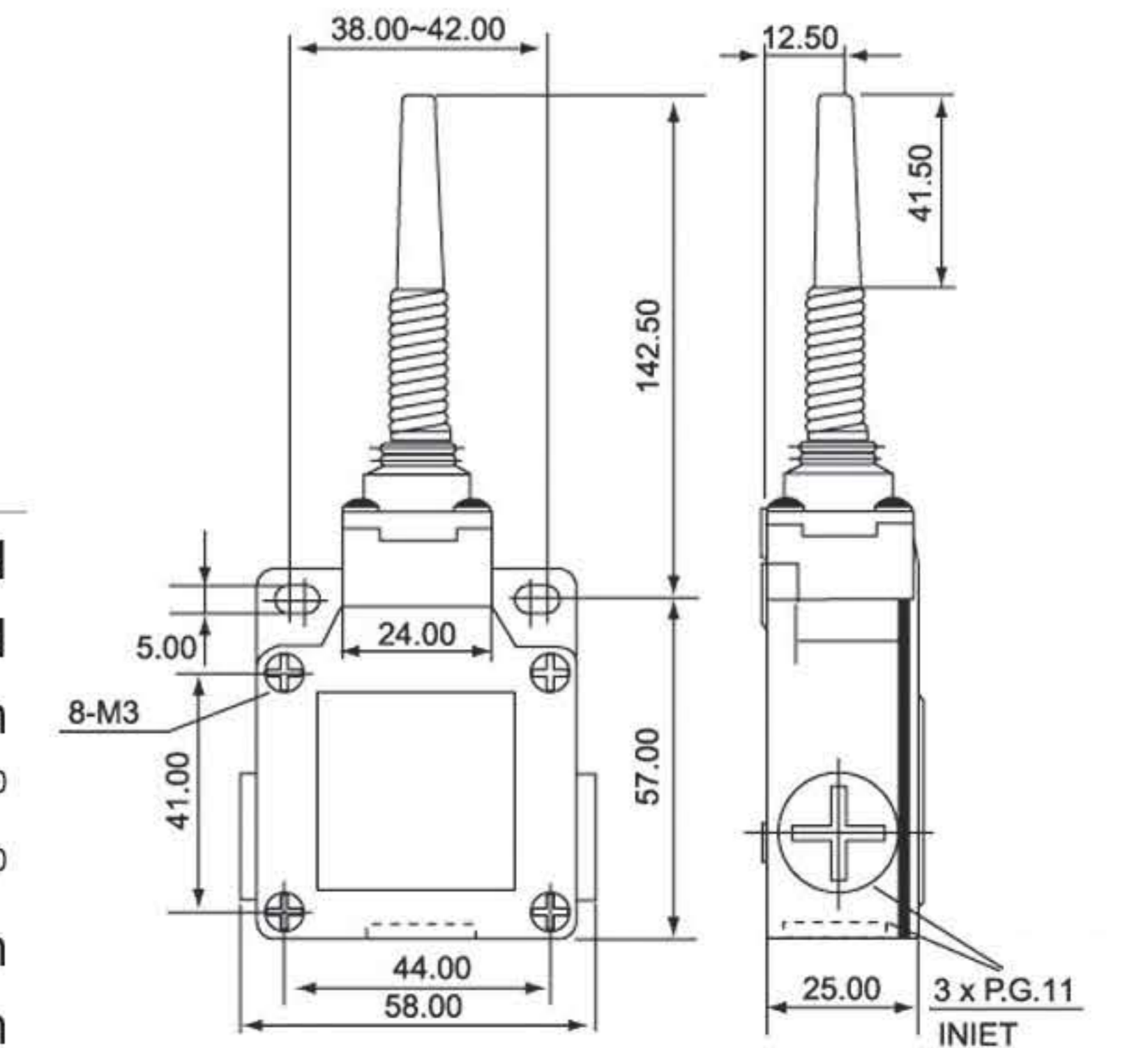


ISC-071



Operating Characteristics

OF (Max)	1.47N
RF (Min)	0.49N
PT(Max)	30mm
TP ± 10%	22.5°
MD (Max)	14°
OT (Min)	20mm
TT (Min)	50mm

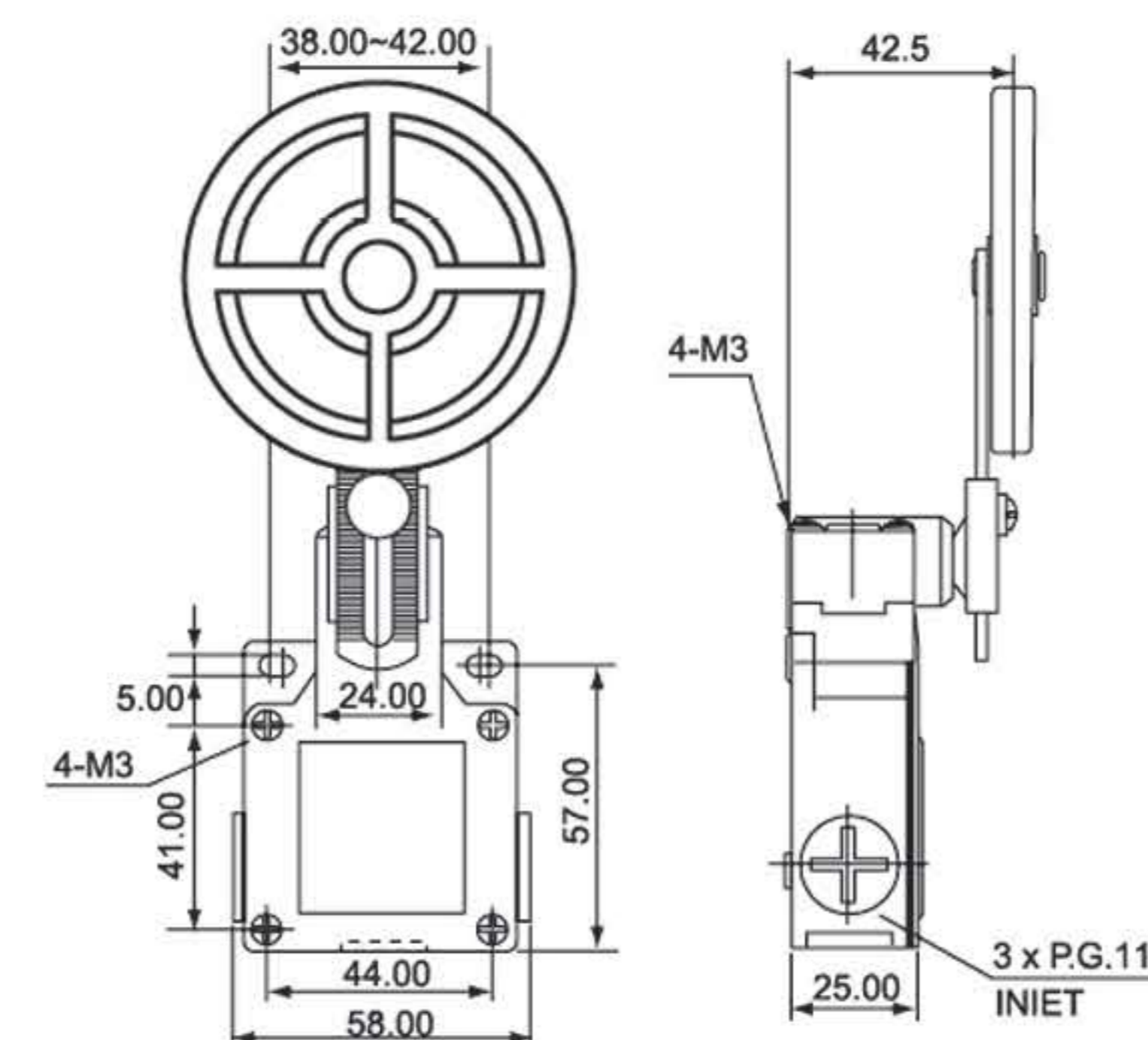


ISC-051



Operating Characteristics

OF (Max)	3.92N
RF (Min)	0.98N
PT(Max)	20°
TP ± 10%	22.5°
MD (Max)	10°
OT (Min)	75°
TT (Min)	95°
RI	22.5°

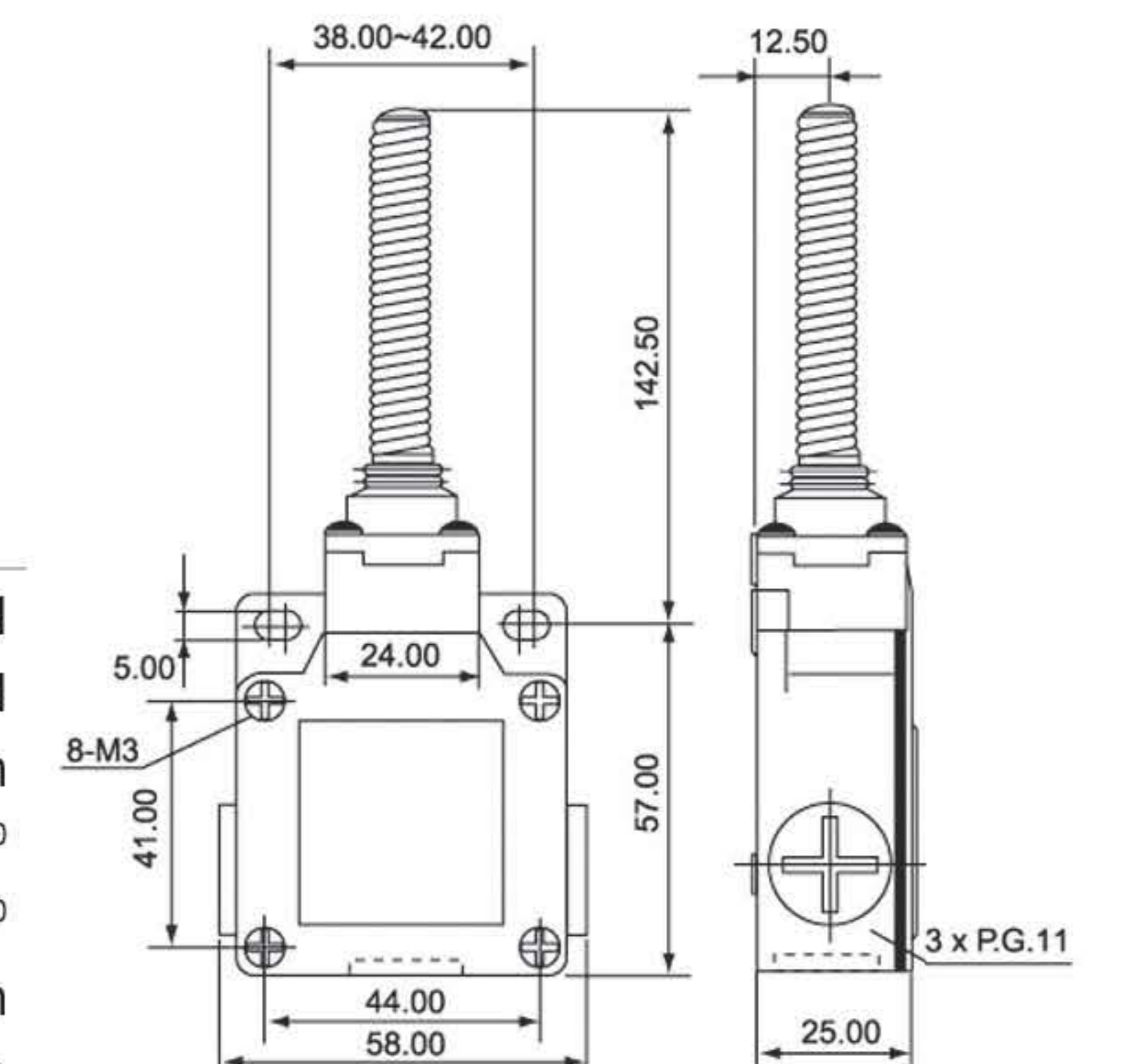


ISC-081



Operating Characteristics

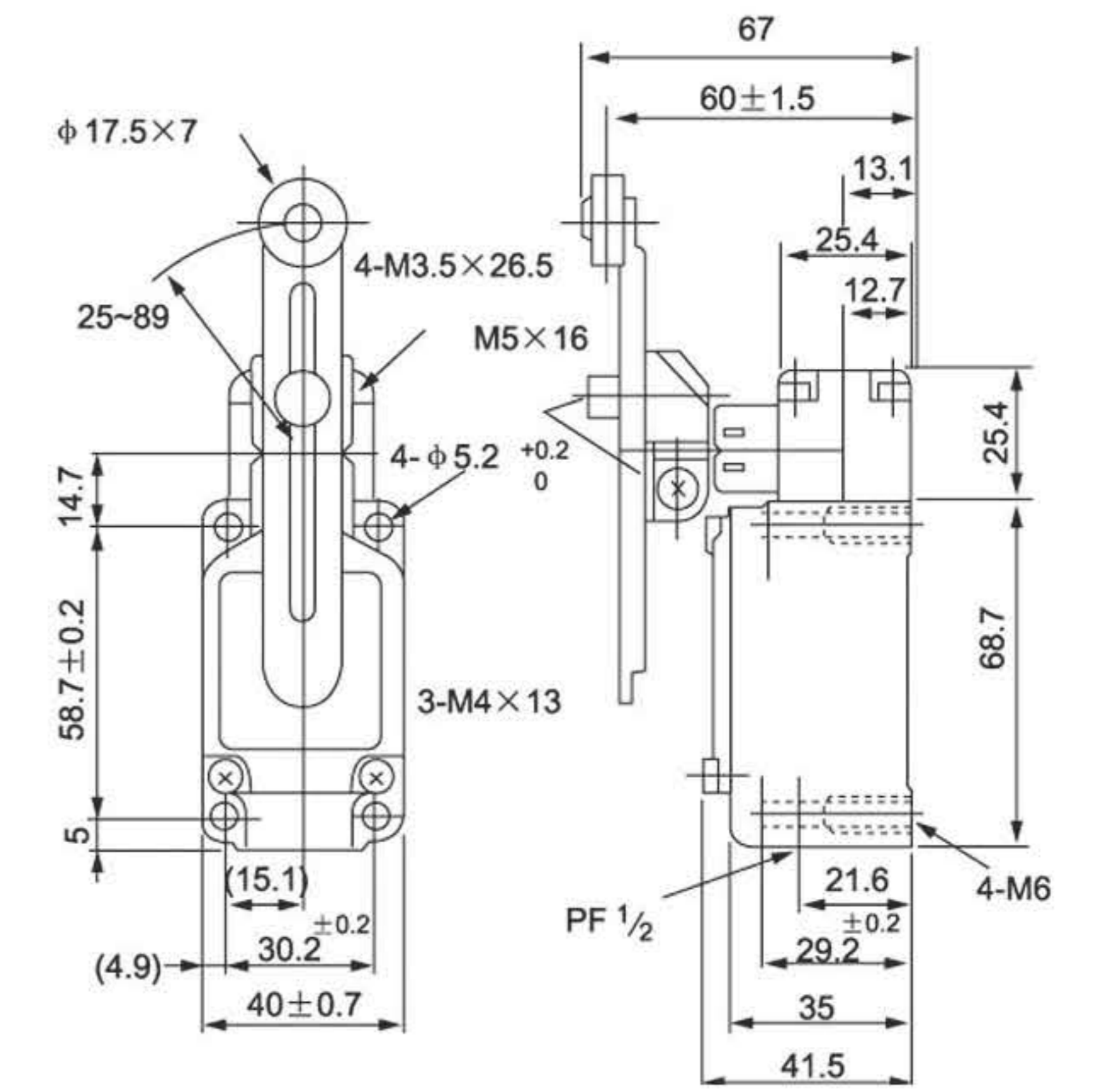
OF (Max)	1.47N
RF (Min)	0.49N
PT(Max)	30mm
TP ± 10%	22.5°
MD (Max)	14°
OT (Min)	20mm
TT (Min)	50mm



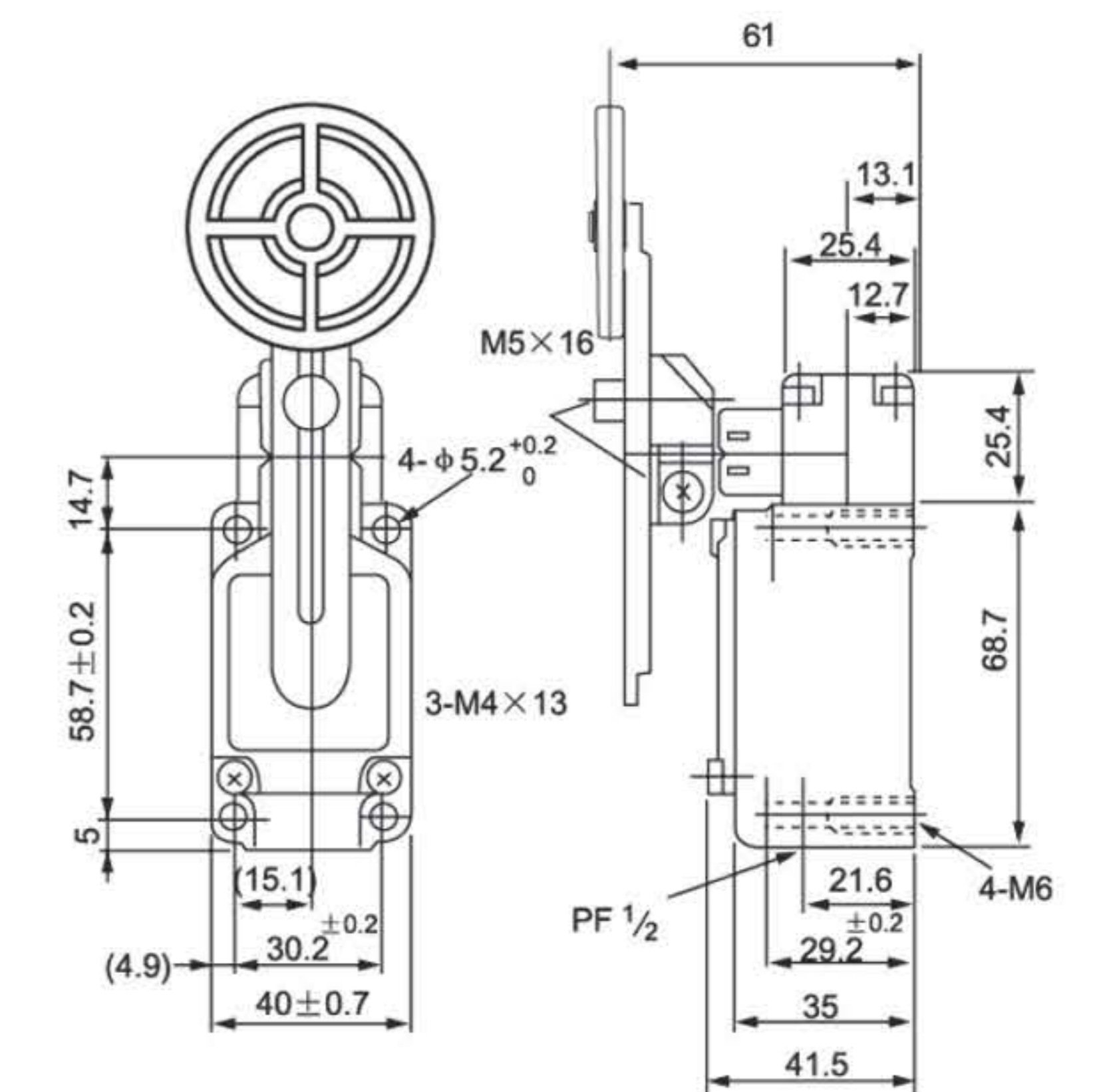


Limit Switch Series
Everyday's **Solution**

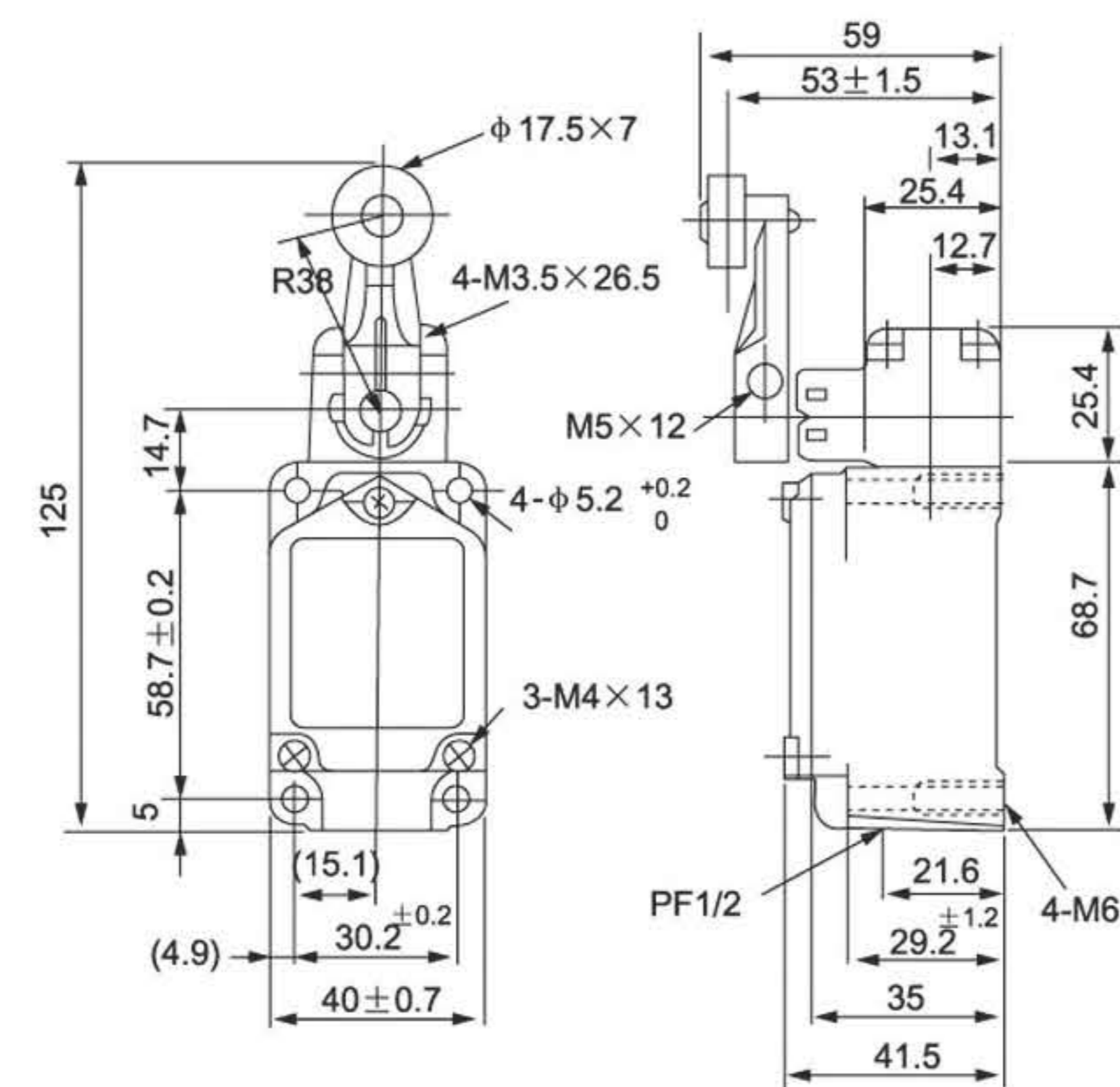
ISWLCA12-2-Q



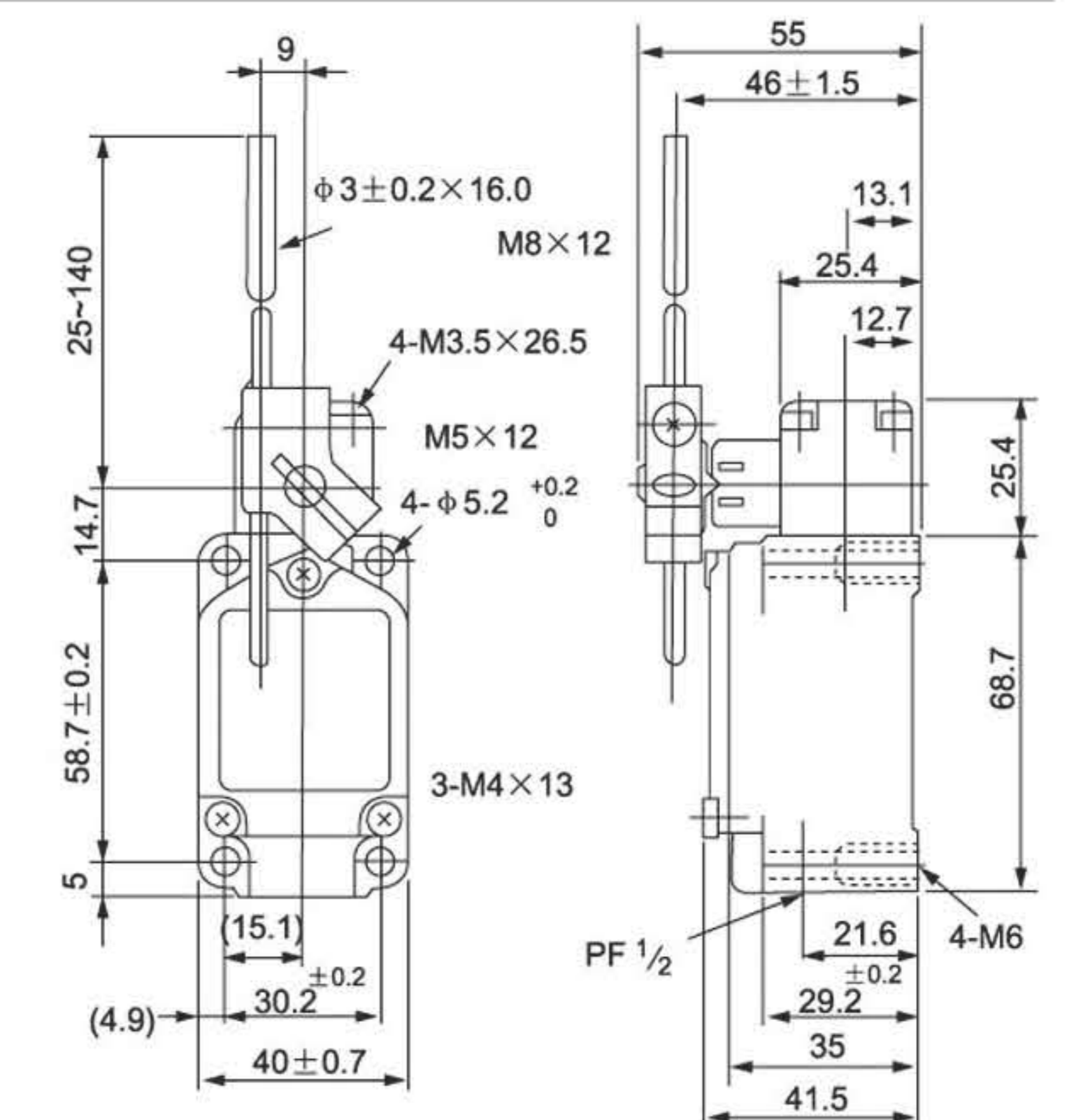
ISWLCA12-2-QD



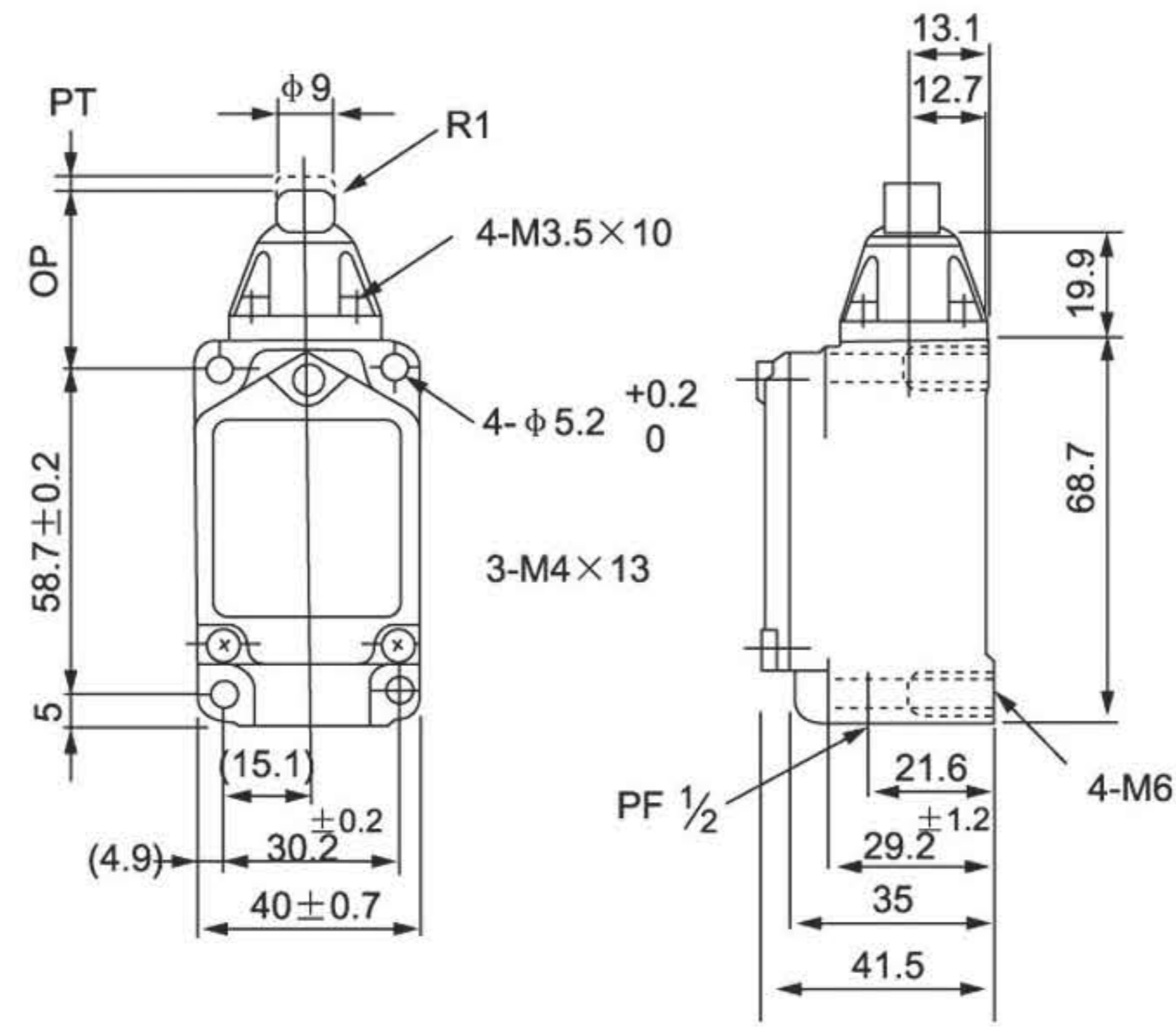
ISWLCA2-2



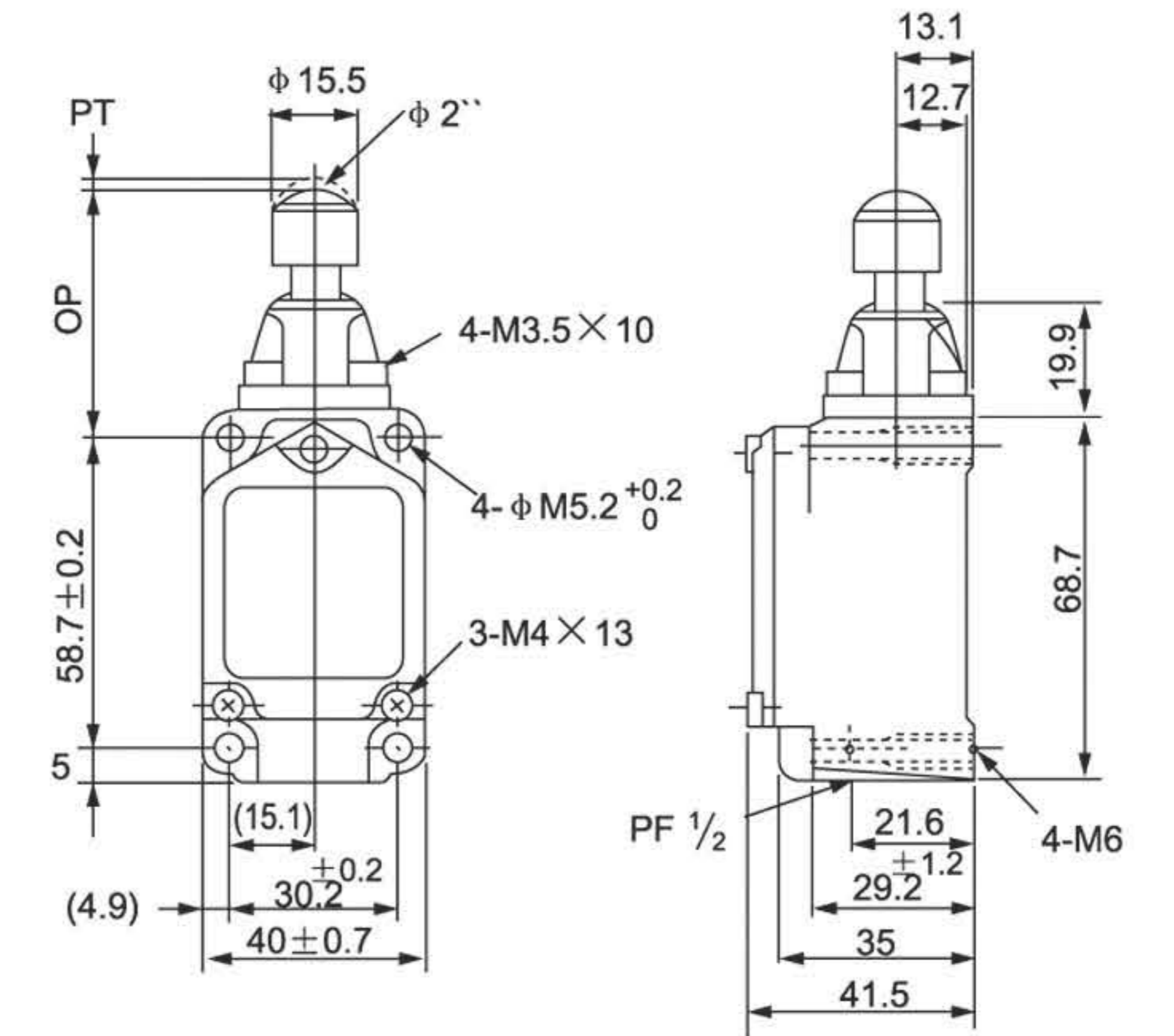
ISWLCL



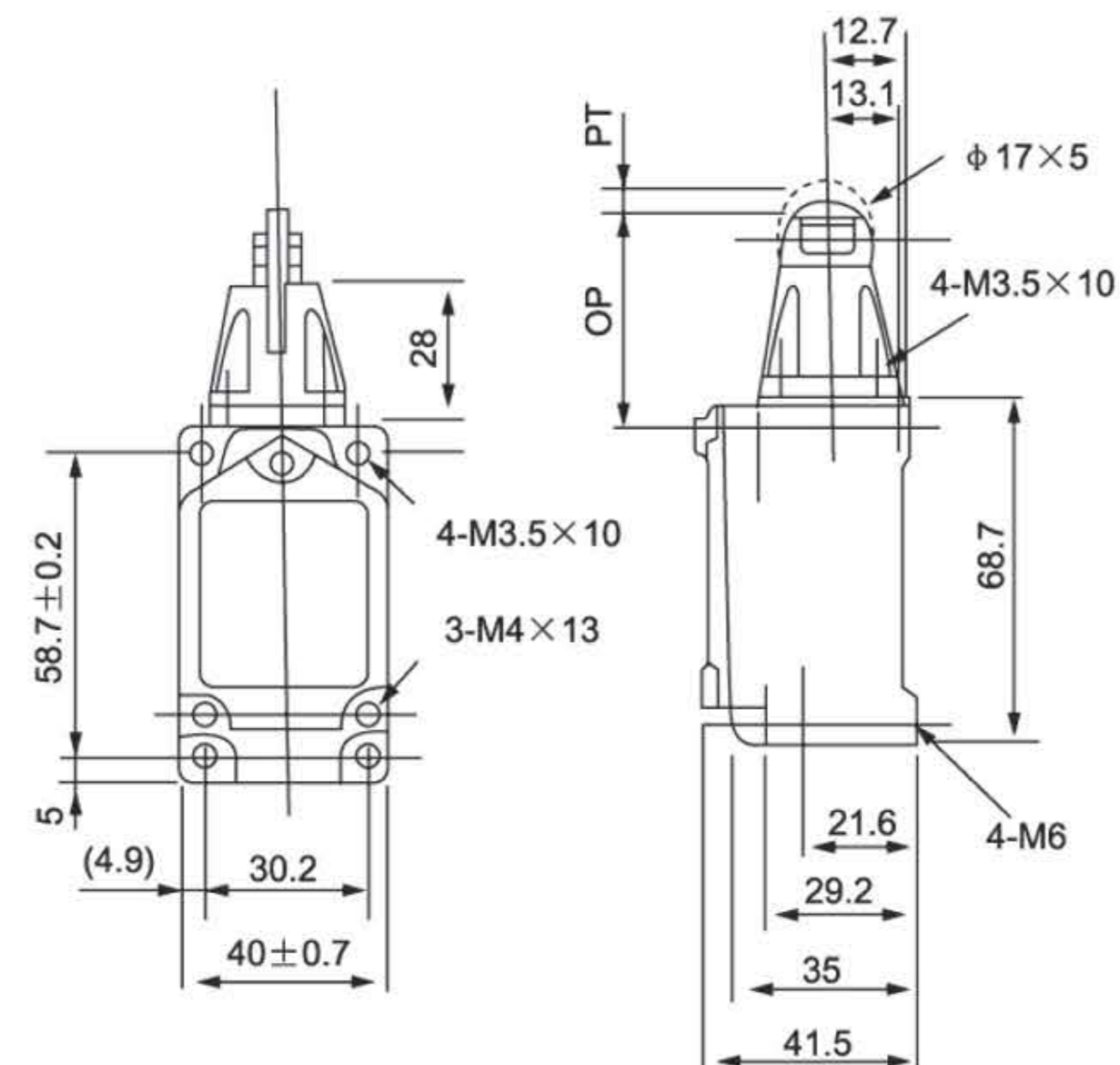
ISWLD



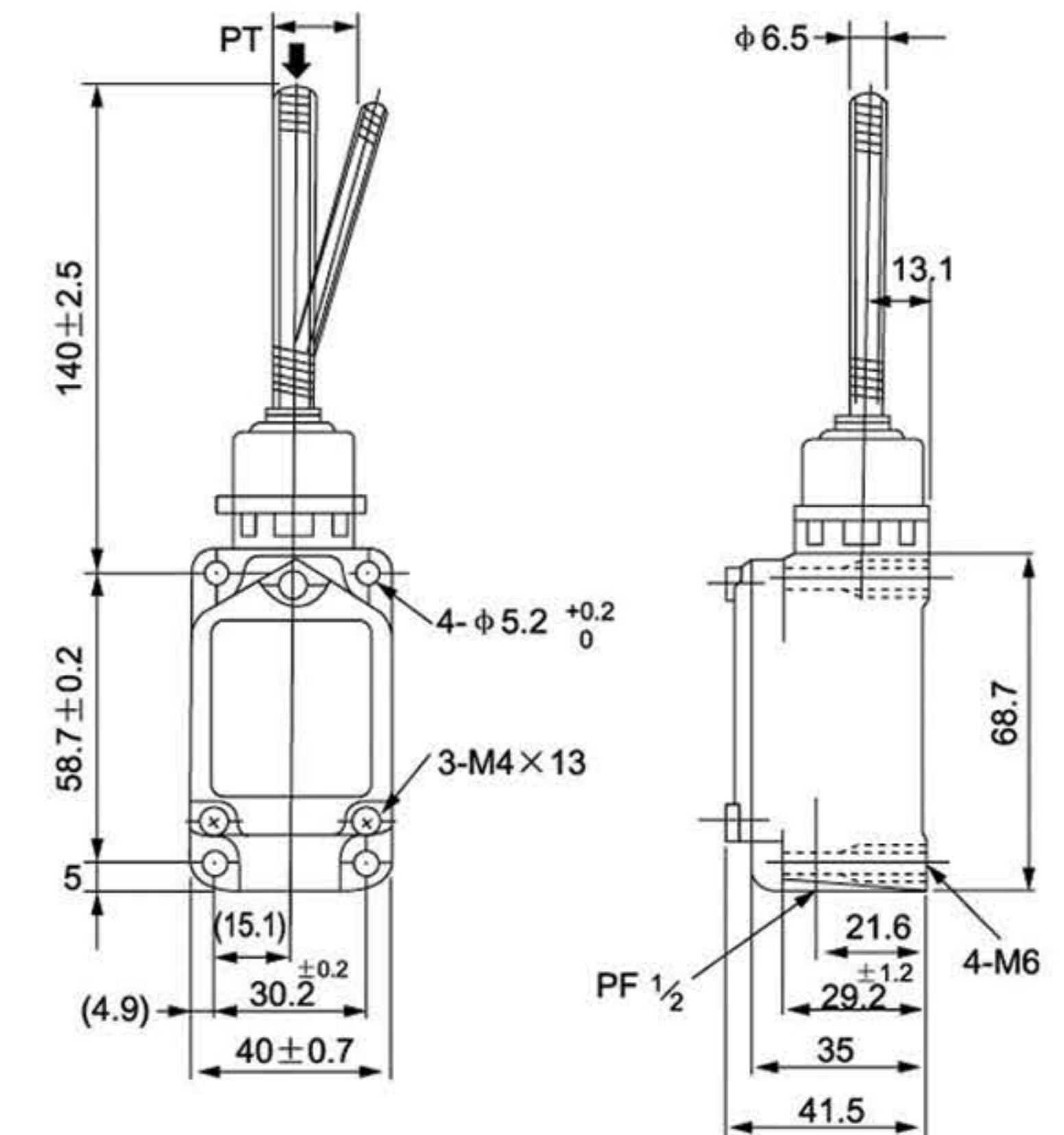
ISWLD3



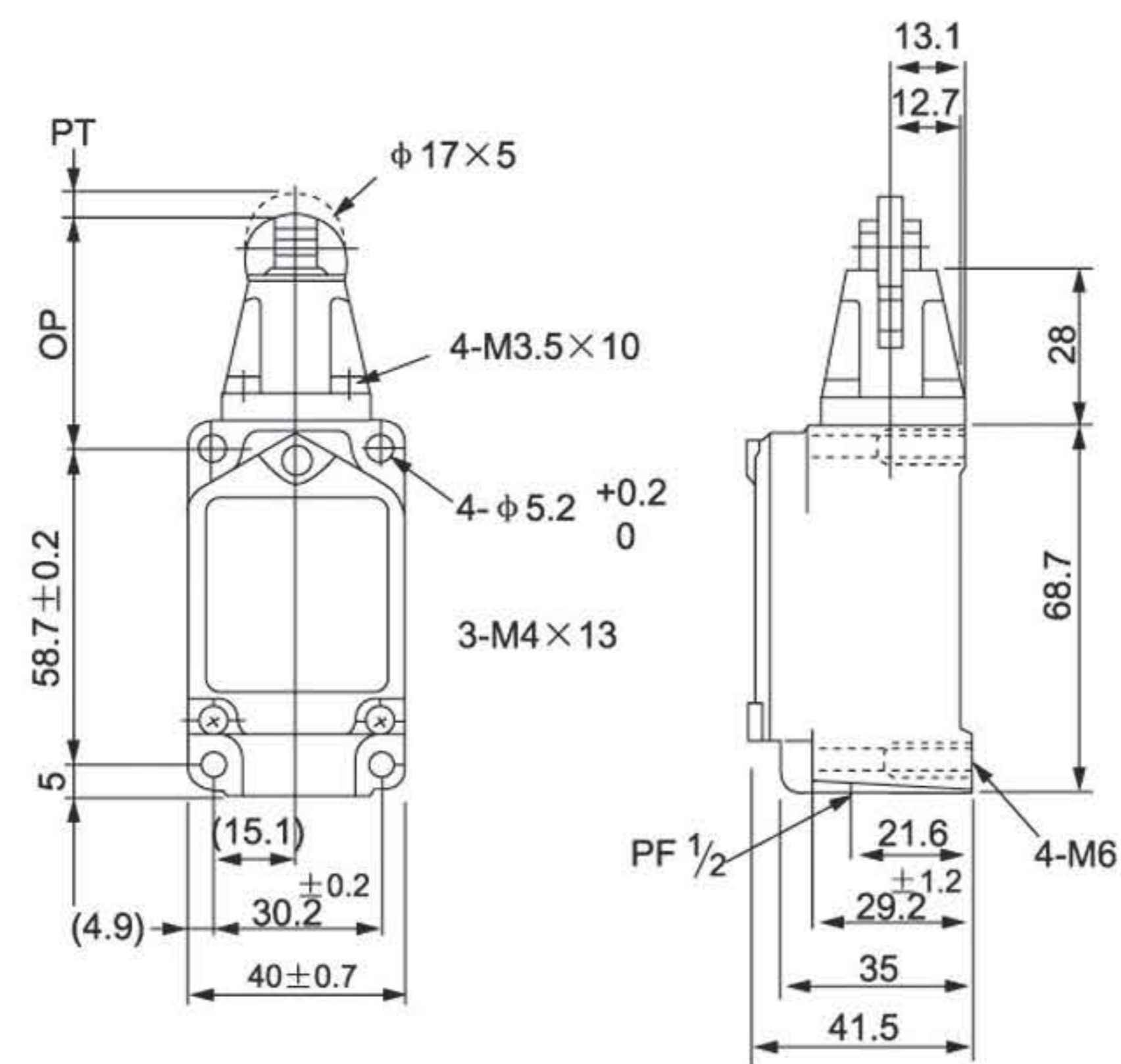
ISWLD1



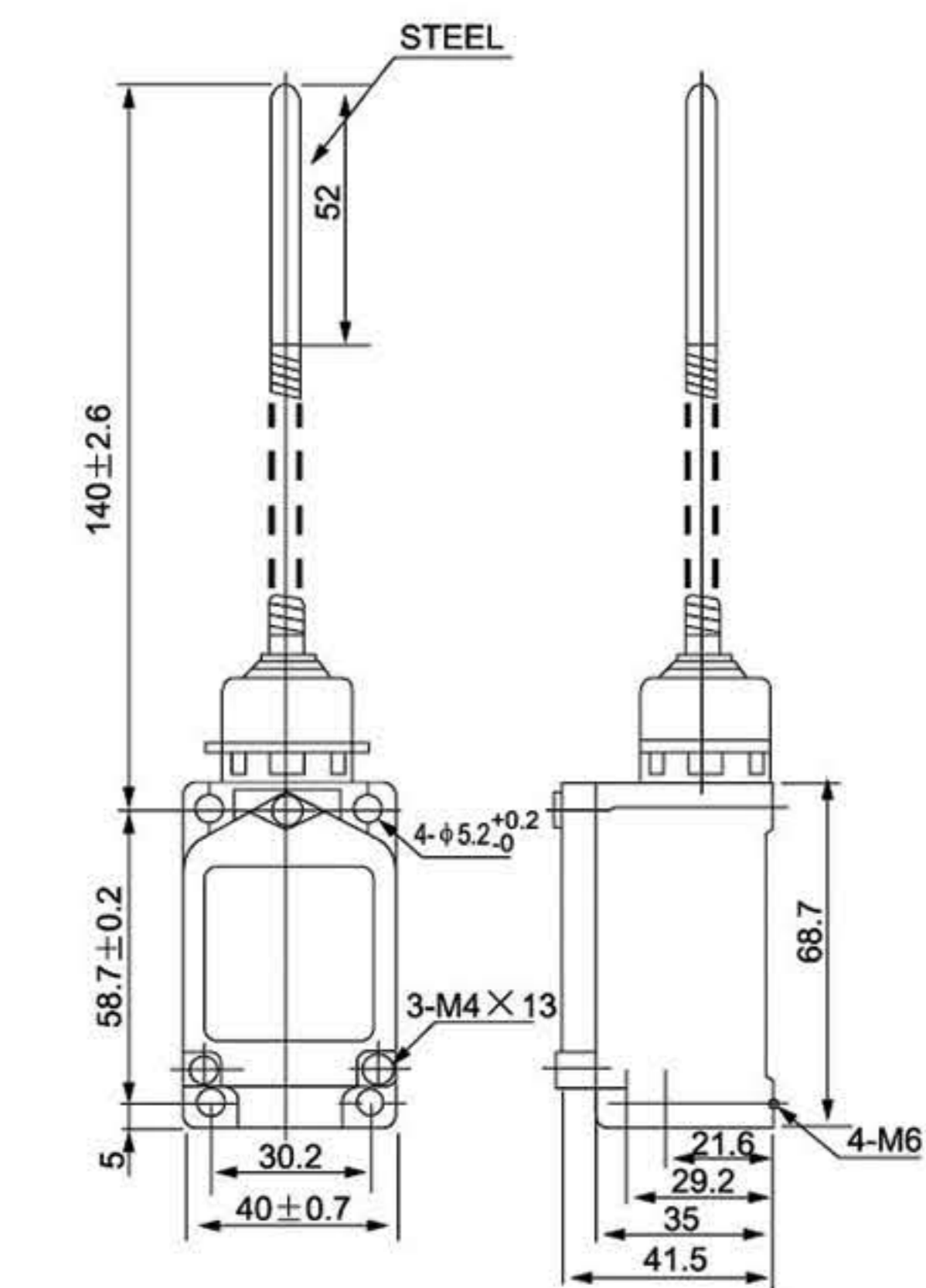
ISWLNJ



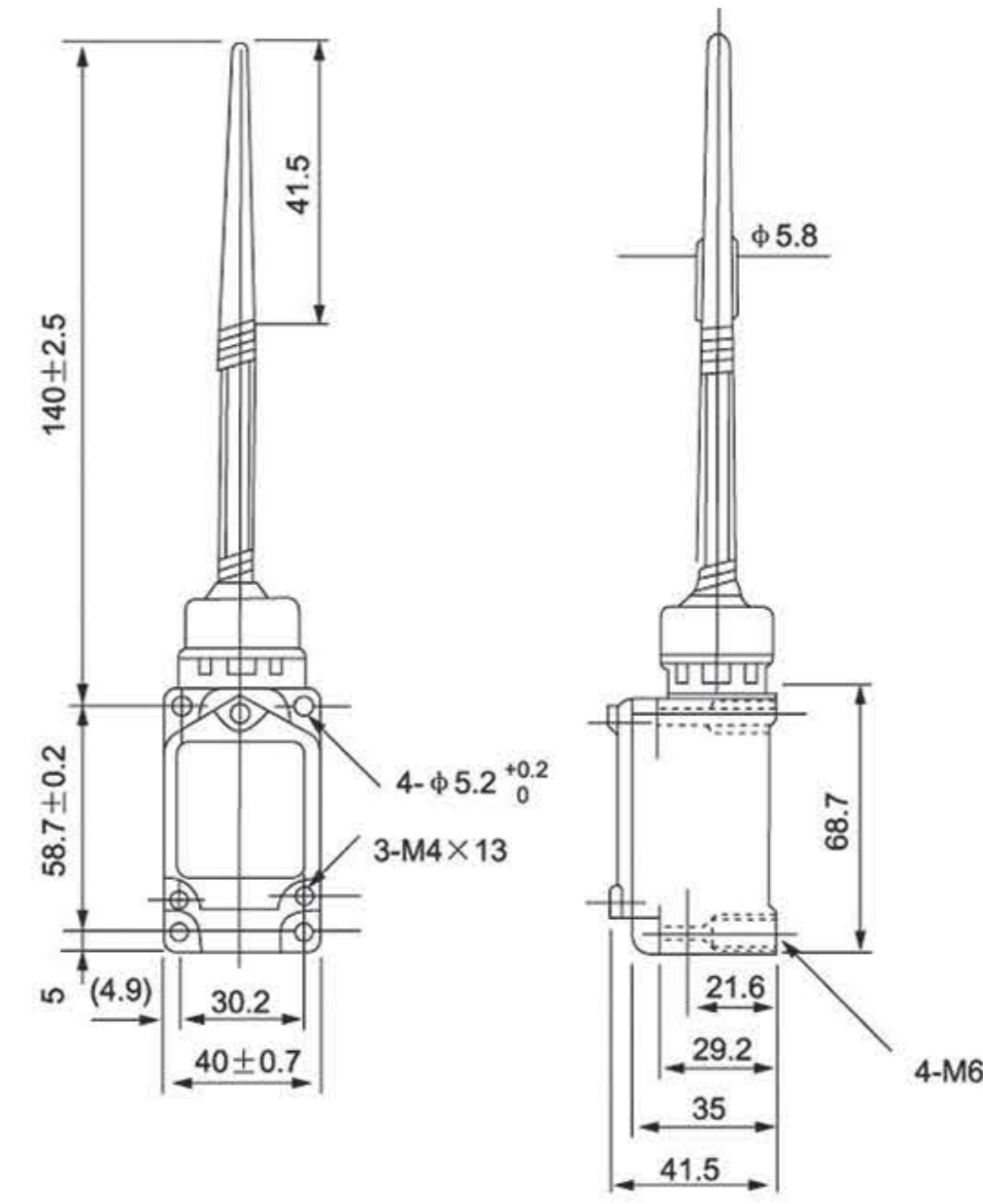
ISWLD2



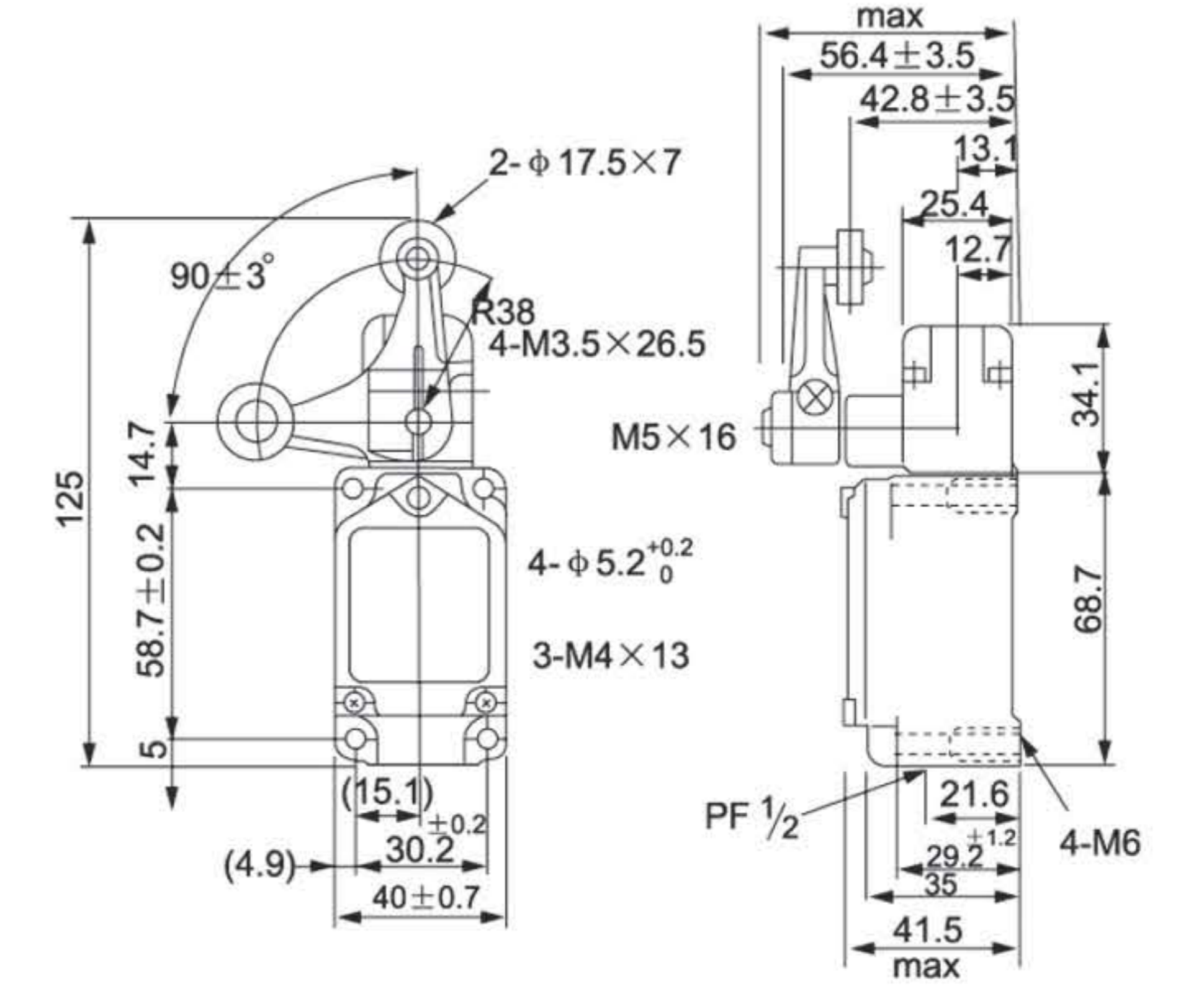
ISWLNJ-30



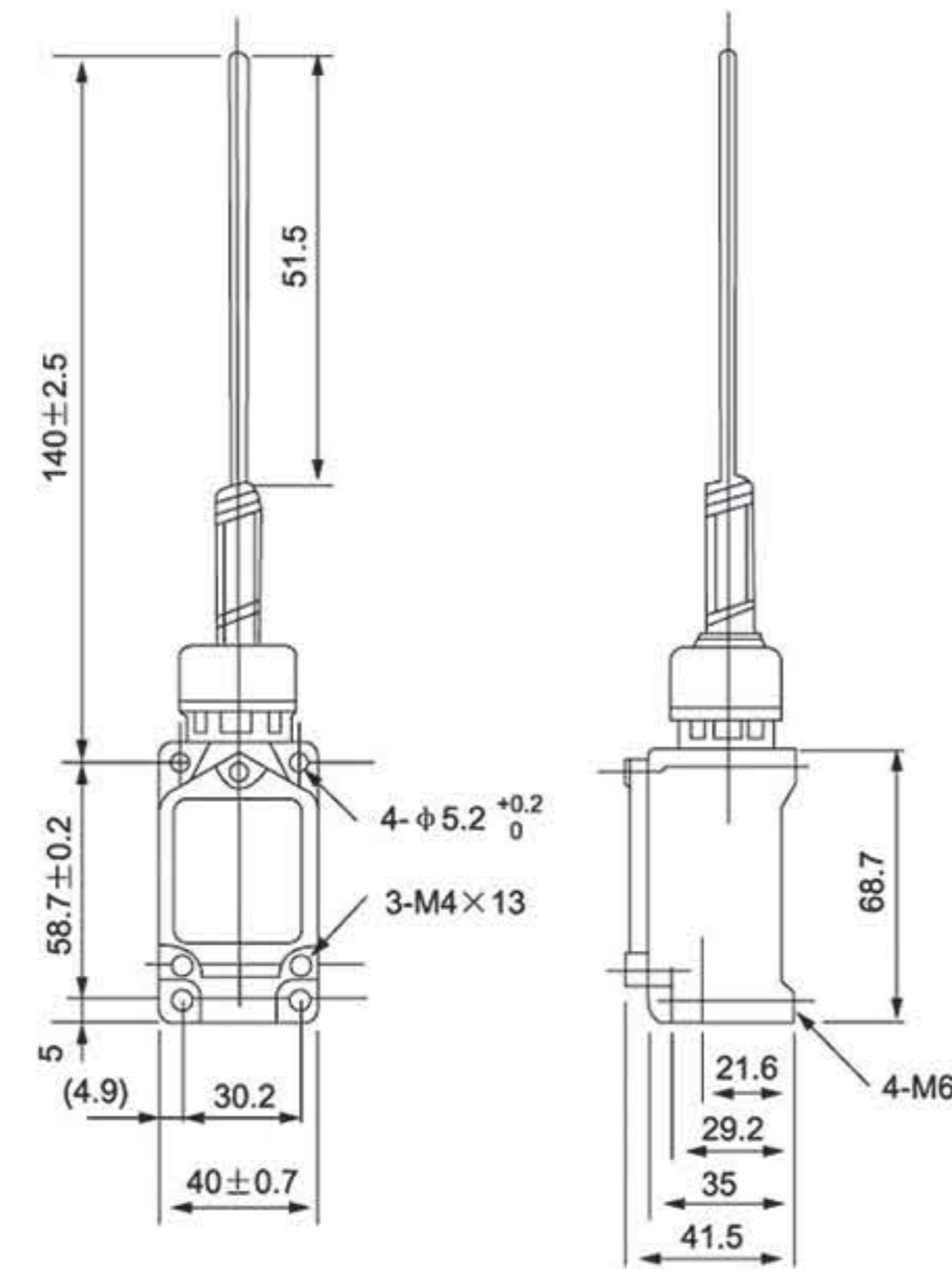
ISWLNJ-2



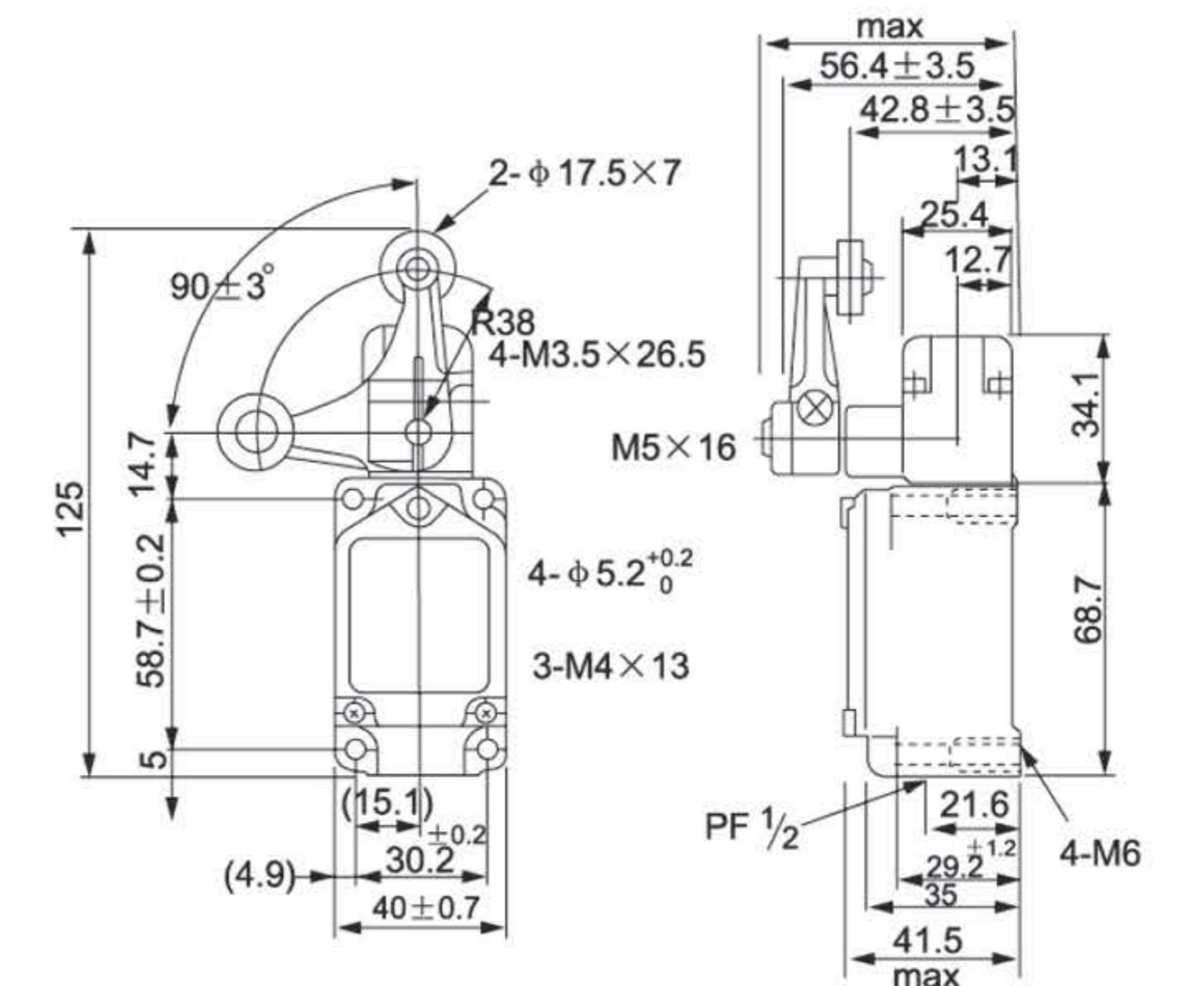
ISWLCA32-42



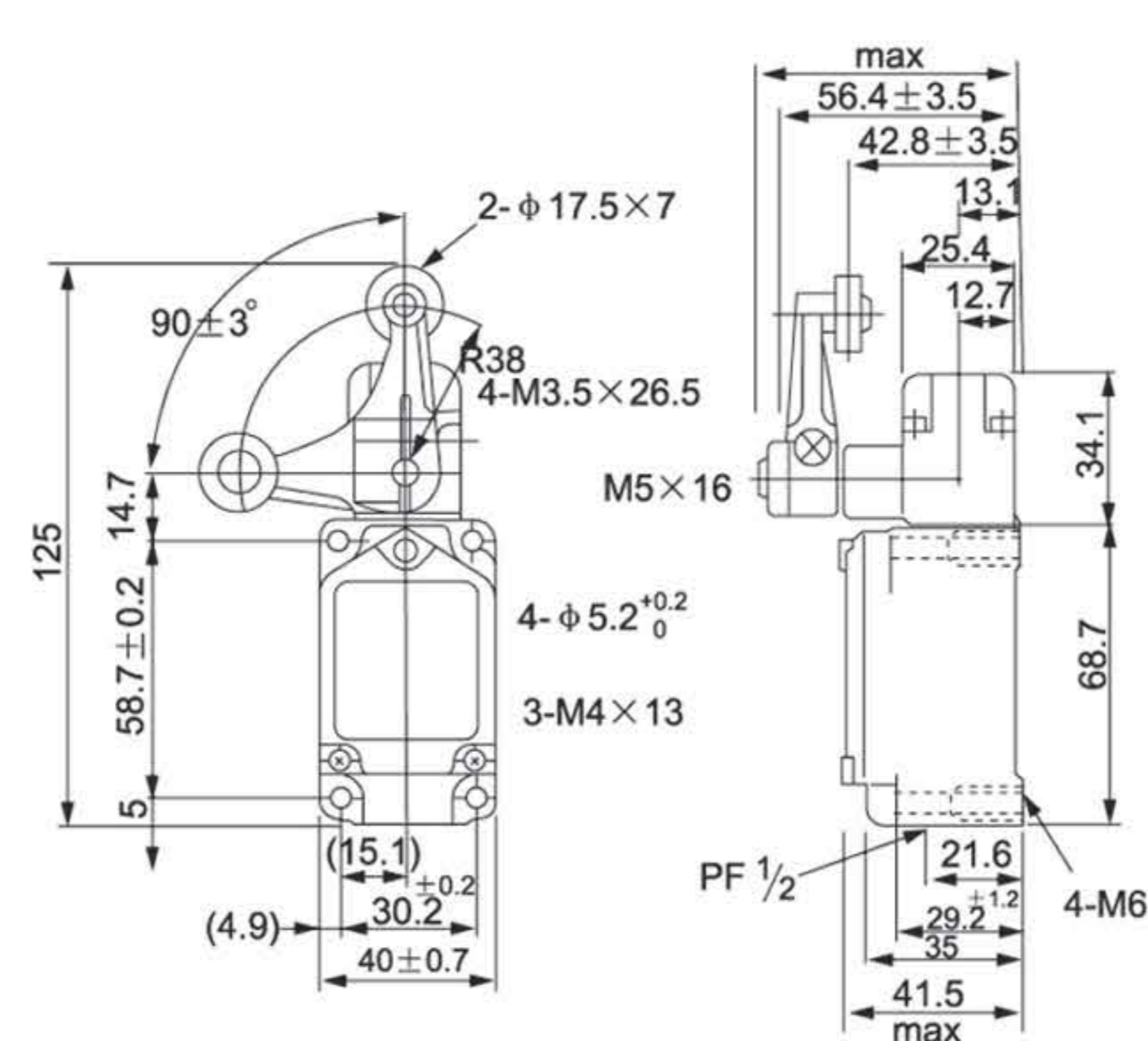
ISWLNJ-S2



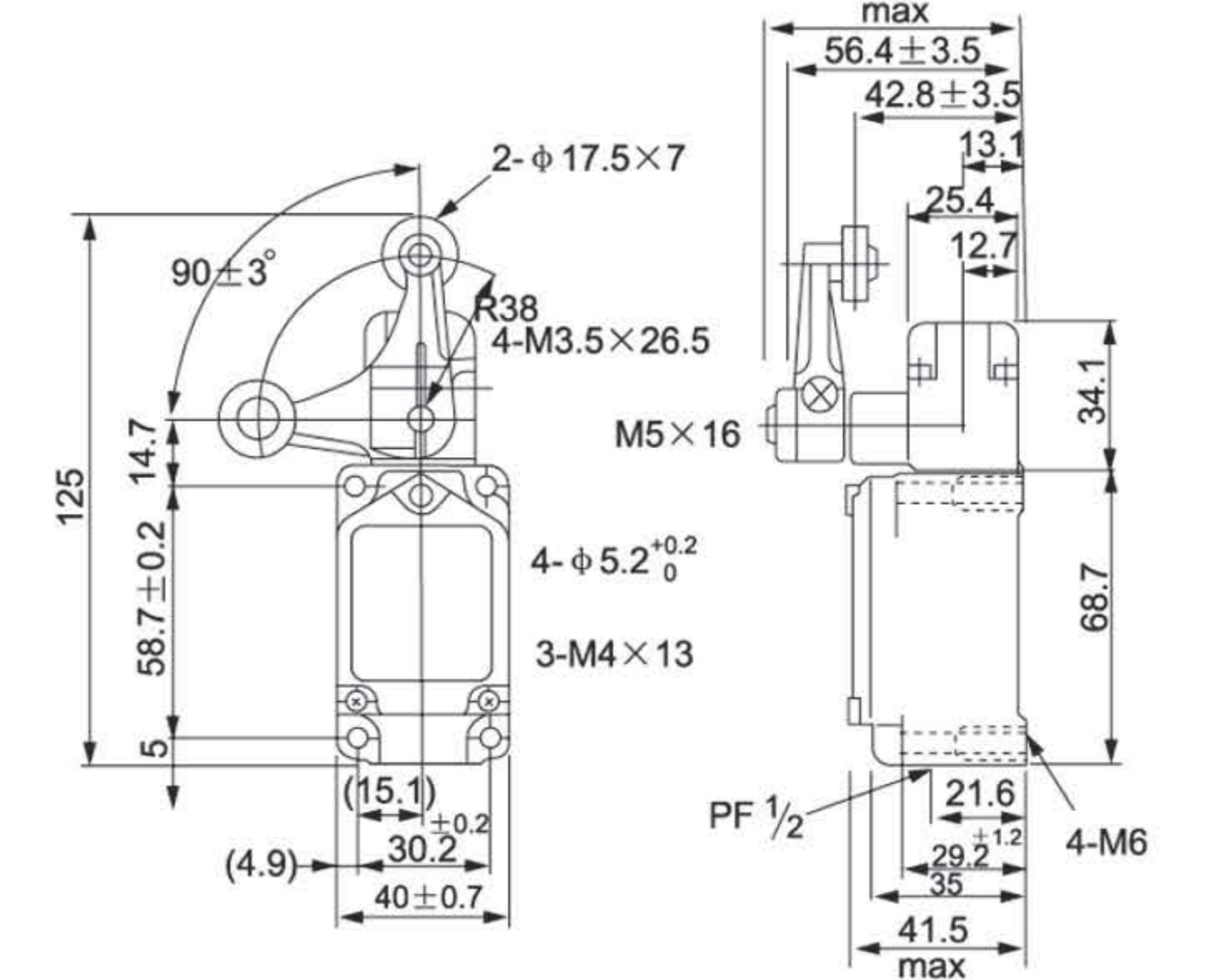
ISWLCA32-43



ISWLCA32-41

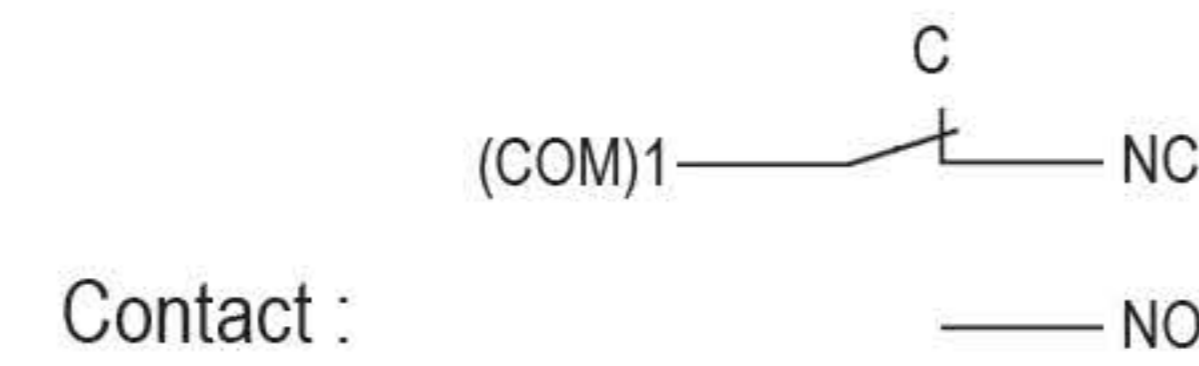


ISWLCA32-44



ISMM Series

- A large switching capacity of 15 A with high repeat accuracy.
- A wide range of variations in contact form for your selection: basic, splitcontact, maintained-contact, and adjustable contact gap types.
- A series of standard models for micro loads is available
- A series of molded terminal-type models incorporating safety terminal protective cover is available.



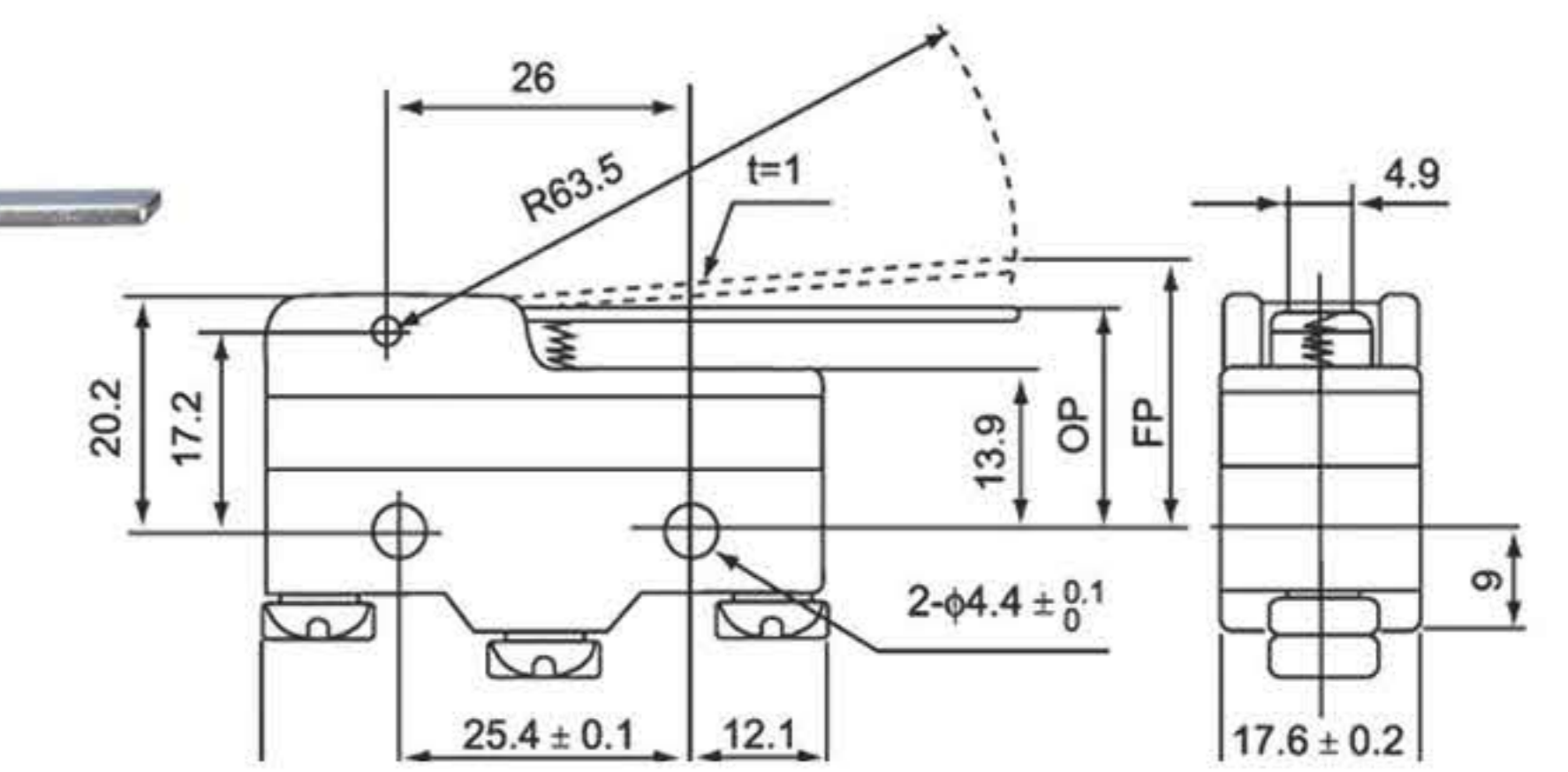
Ratings

Rated voltage	Noninductive Load (A)				Inductive Load (A)				Inrush Current	
	Resistance Load		Lamp Load		Inductive Load		Motor Load			
	NC	NO	NC	NO	NC	NO	NC	NO	NC	NO
125VAC	15	15	3	1.5	15	15	5	2.5	30	15
250VAC	15	15	2.5	1.25	15	15	3	1.5		
500VAC	3	3	1.5	0.75	2.5	2.5	1.5	0.75		
8VDC	15	15	3	1.5	15	15	5	2.5	MAX	MAX
14VDC	15	15	3	1.5	10	10	5	2.5		
30VDC	6(2)	6(2)	3	1.5	5	5	5	2.5		
125VDC	0.4	0.4	0.4	0.4	0.05	0.05	0.05	0.05		
250VDC	0.2	0.2	0.4	0.2	0.03	0.03	0.03	0.03		

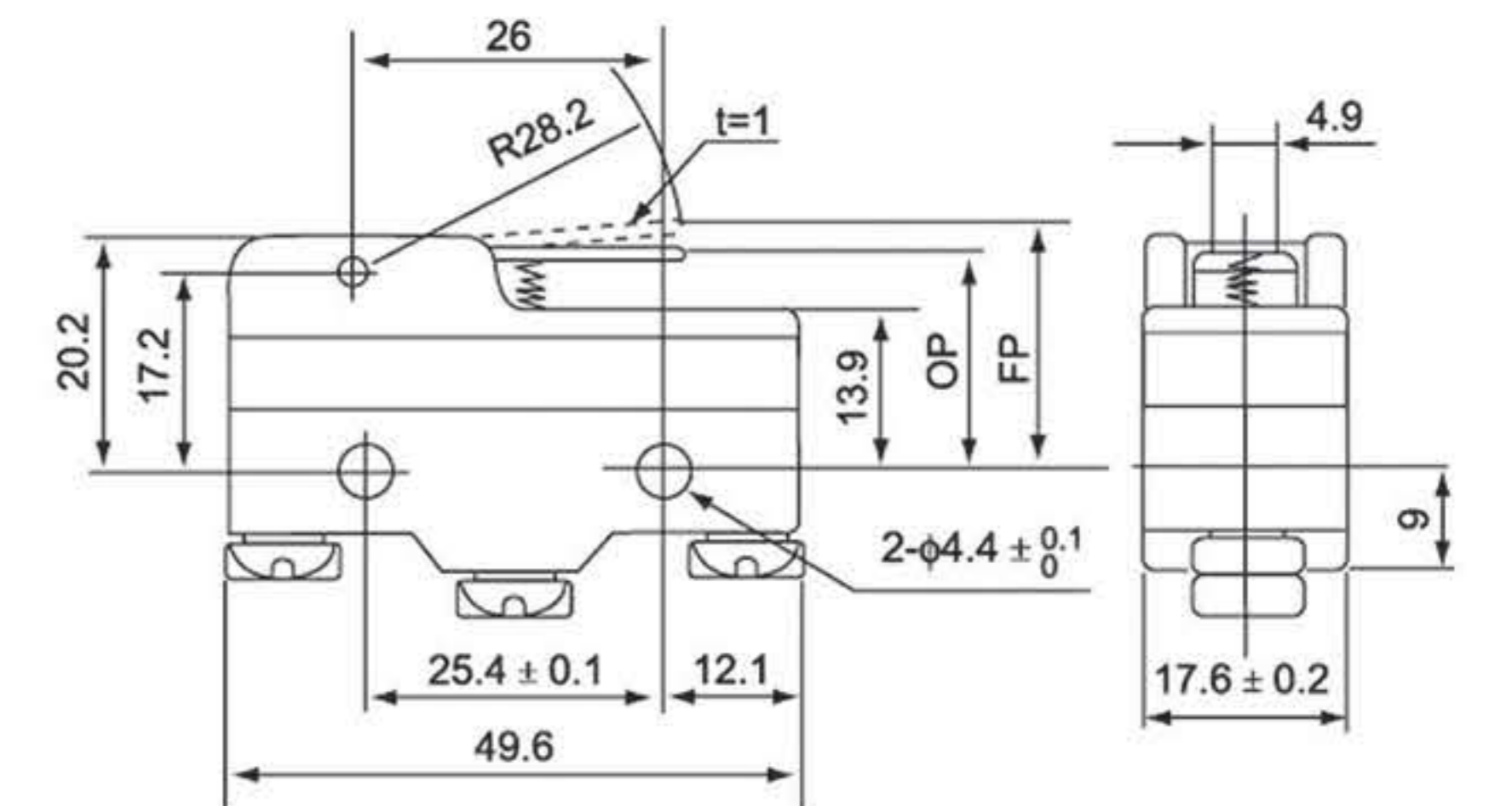
Characteristics

Operation speed	0.01mm-1m/sec
Operating frequency	Mechanical: 240 operations/min. Electrical: 20 operations/min.
Contact resistance	15mΩ max, (initial value)
Insulation resistance	100mΩ min. (at 500VDC)
Dielectric strength	1000VAC, 50/60 Hz for 1 minute between terminals of the same polarity
	1500VAC, 50/60 Hz for 1 minute between current-carrying and non-current-carrying metal parts
	1500VAC, 50/60 Hz for 1 minute between each terminal and ground
Vibration	10-55Hz, 1.5mm double amplitude
Shock	Mechanical durable: 1,000m/Sec ² (about 100G'S) Malfunction: 300m/sec (about 30G'S)
Ambient temperature	General purpose type: -25°C to +80°C, Sealed type: -15°C to +80°C
Humidity	General purpose type: 85% RH max., Sealed type: 95% RH max.
Weight	About 22 to 58g

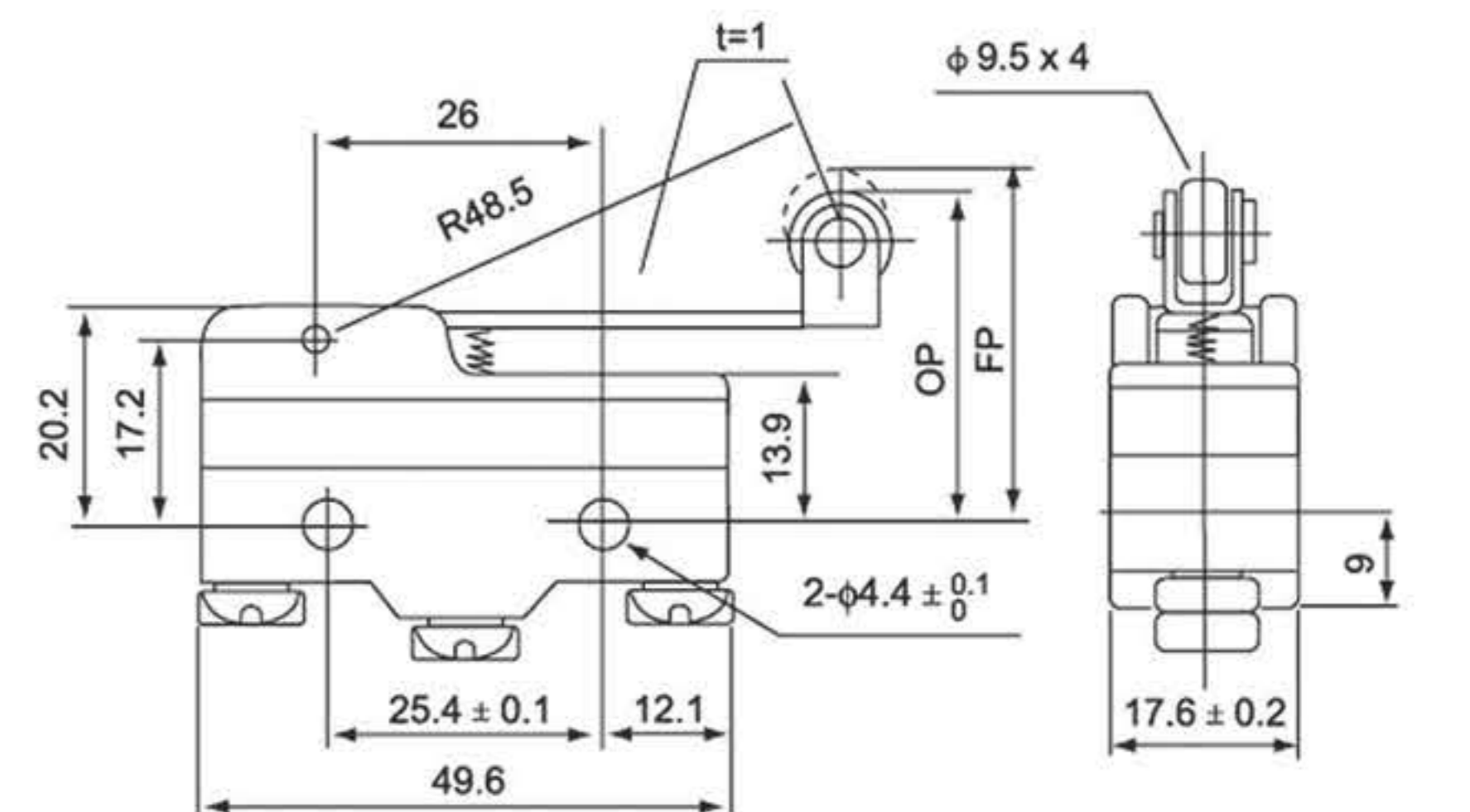
ISM-1701



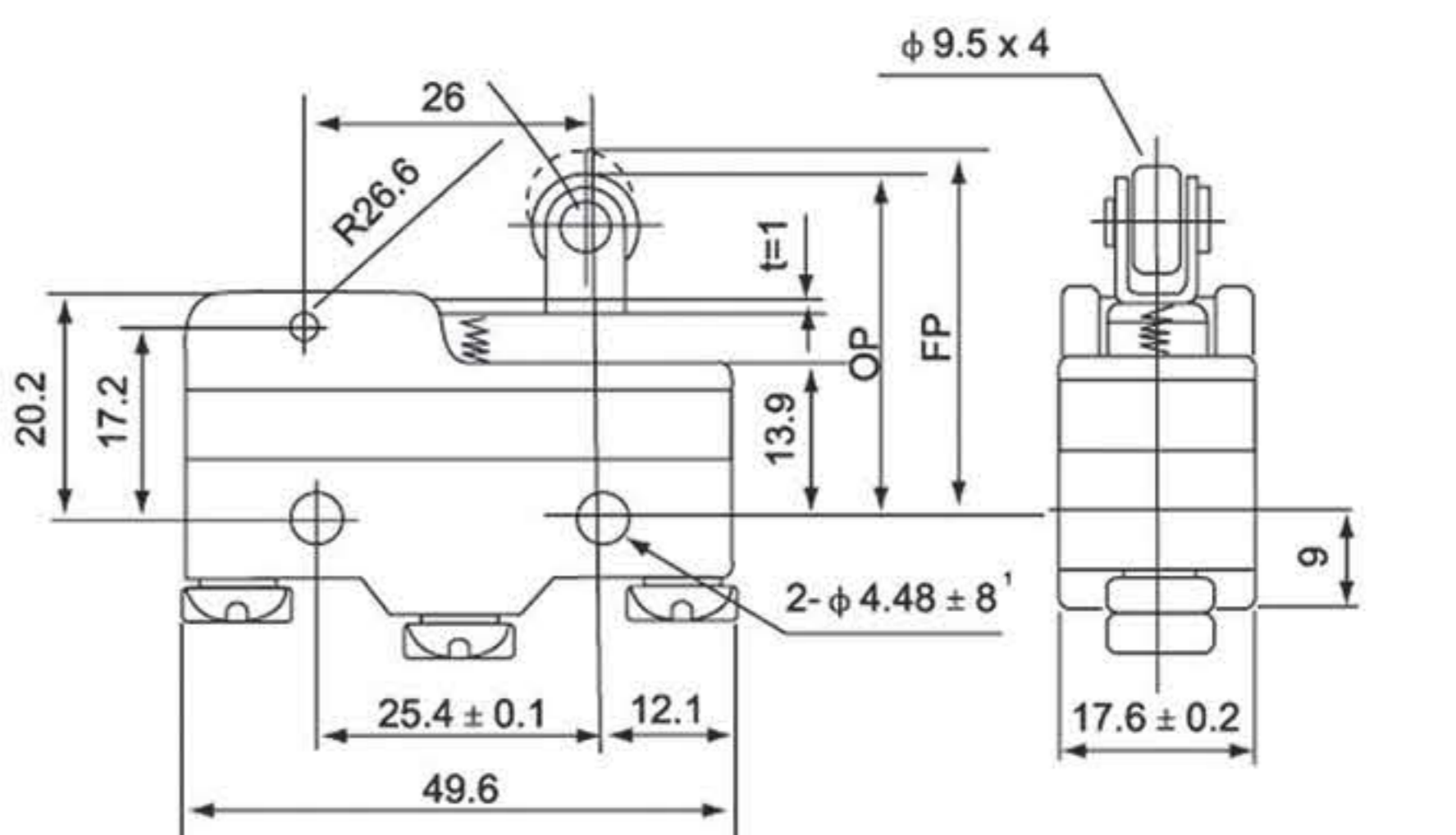
ISM-1702



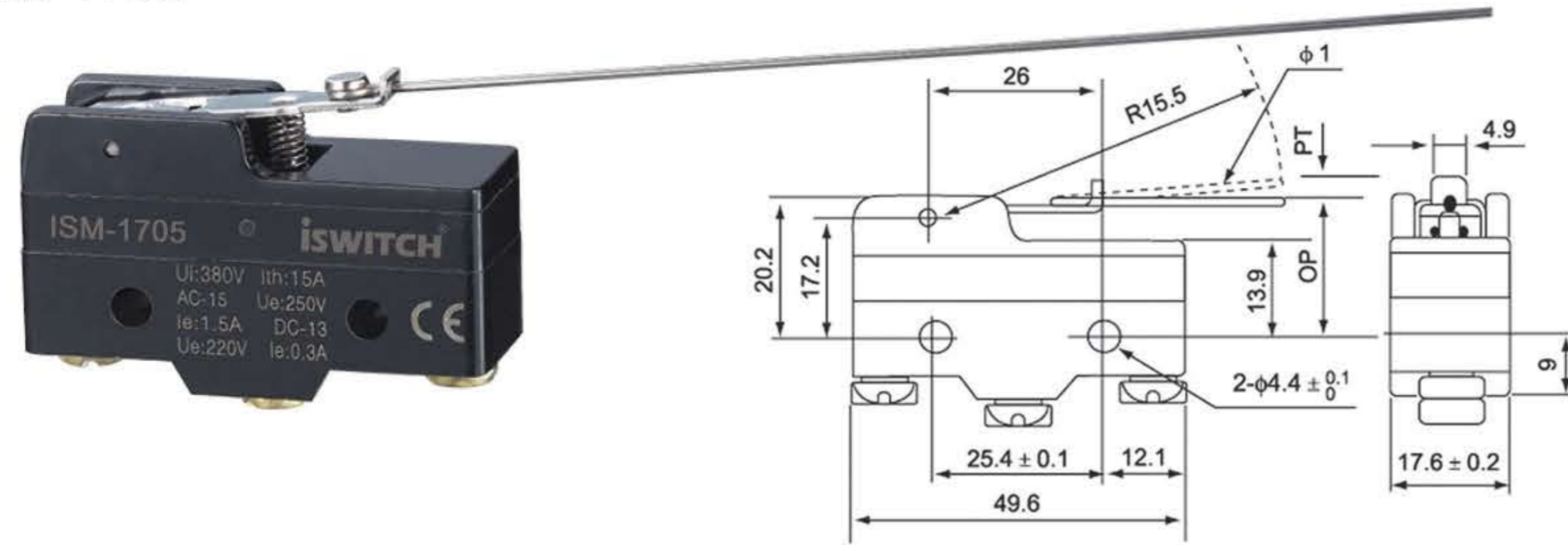
ISM-1703



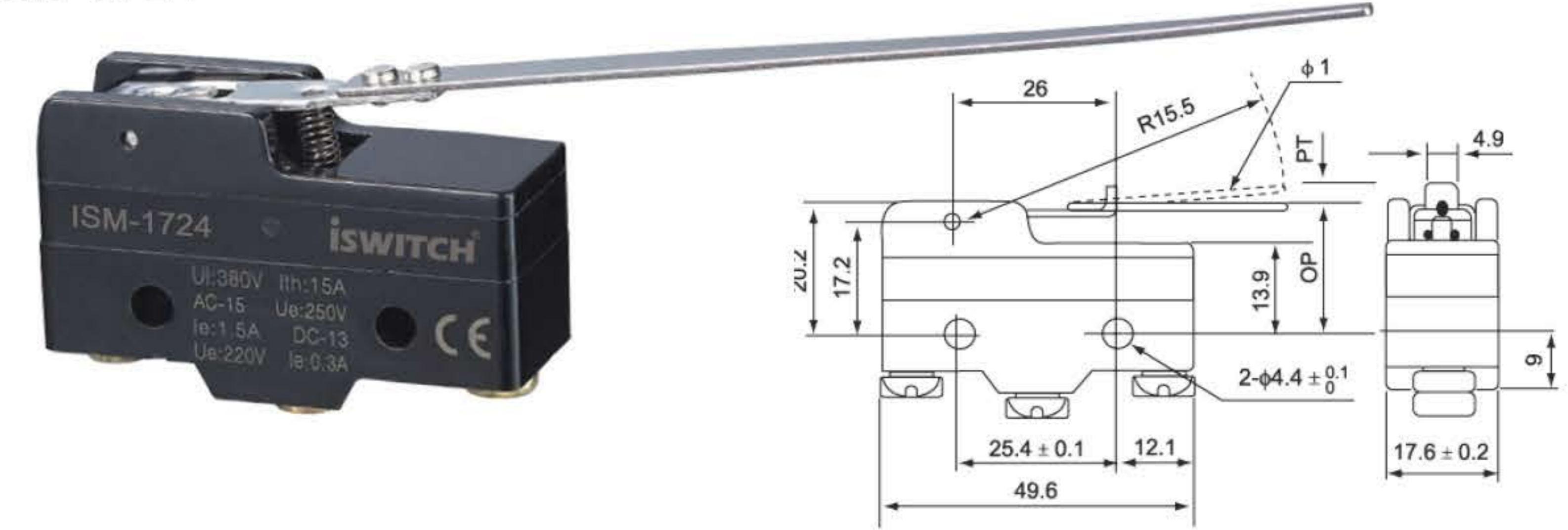
ISM-1704



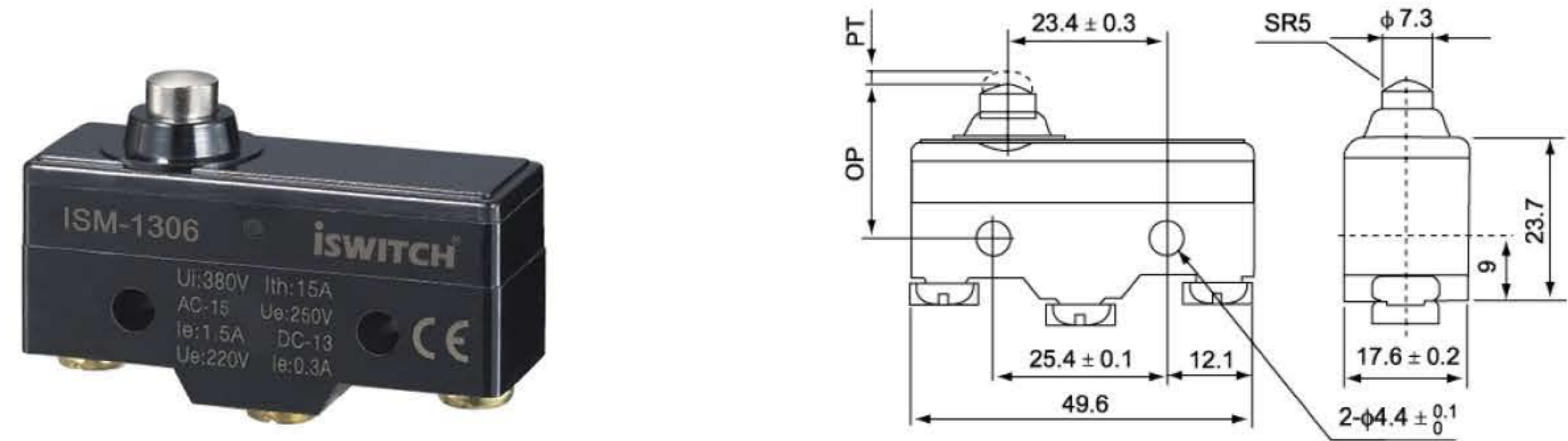
ISM-1705



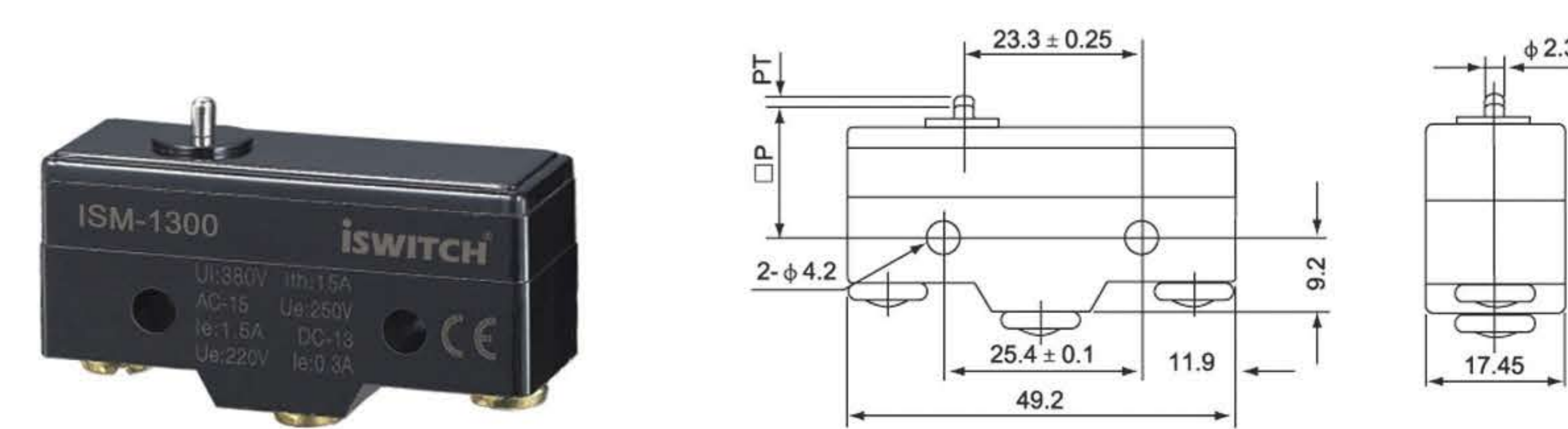
ISM-1724



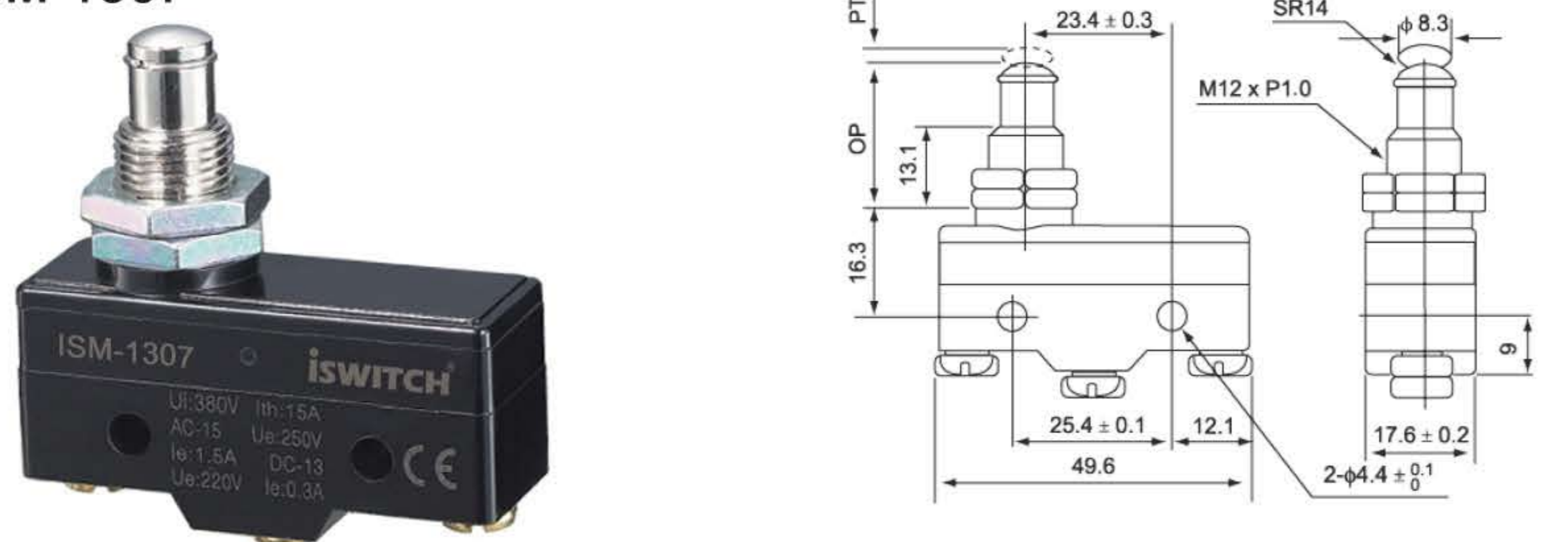
ISM-1306



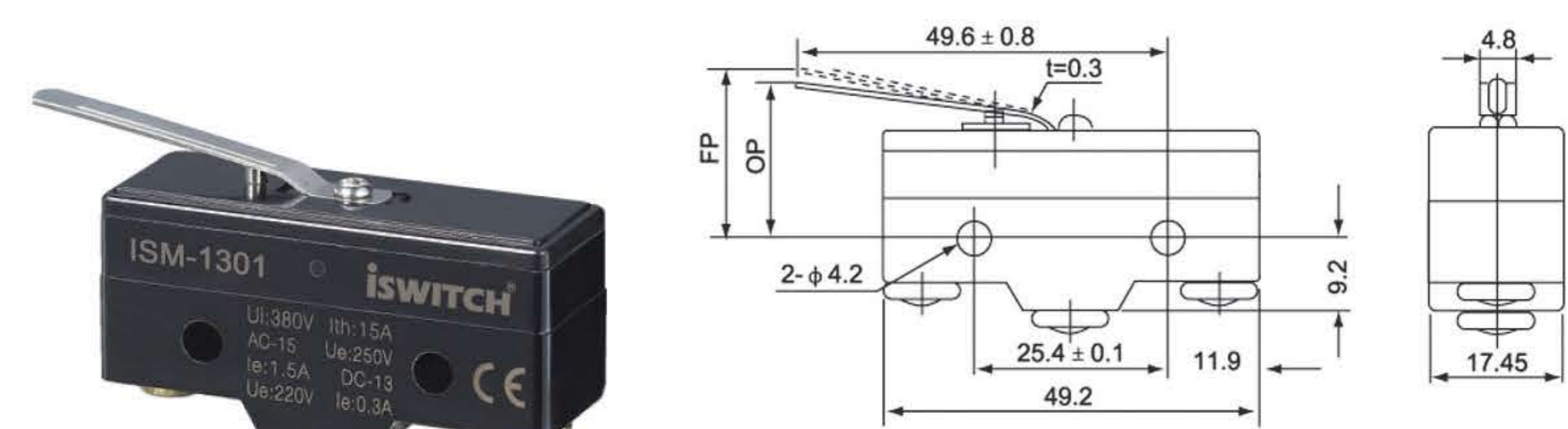
ISM-1300



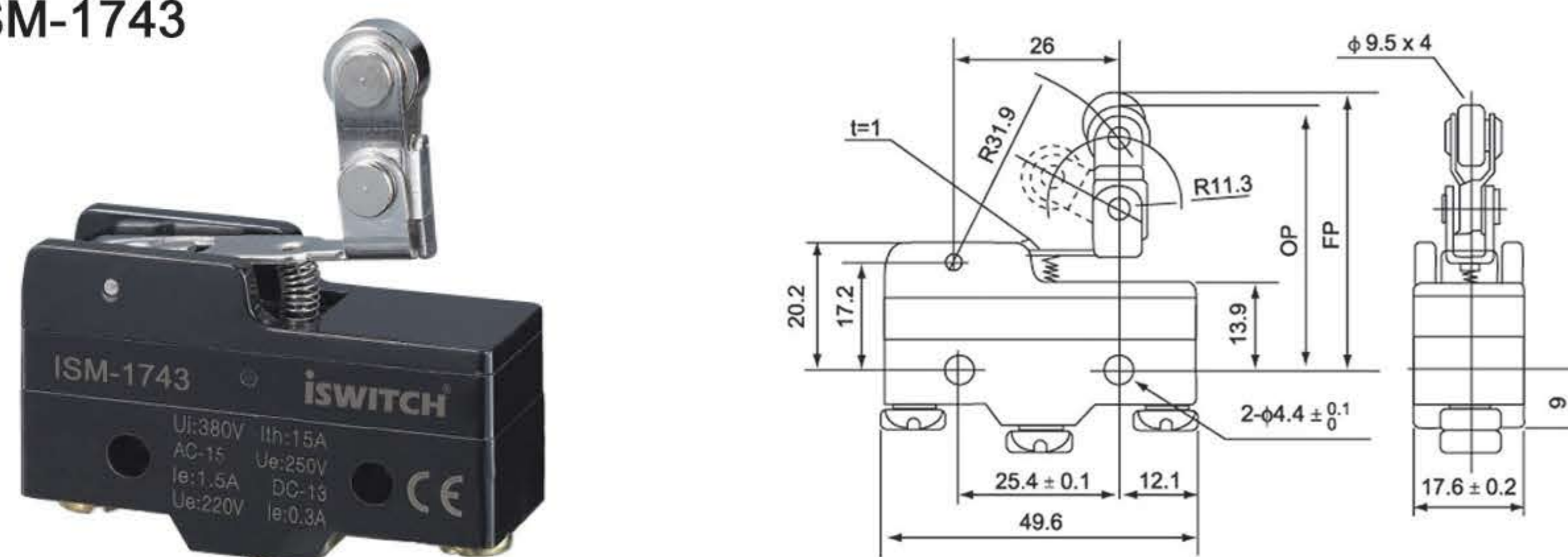
ISM-1307



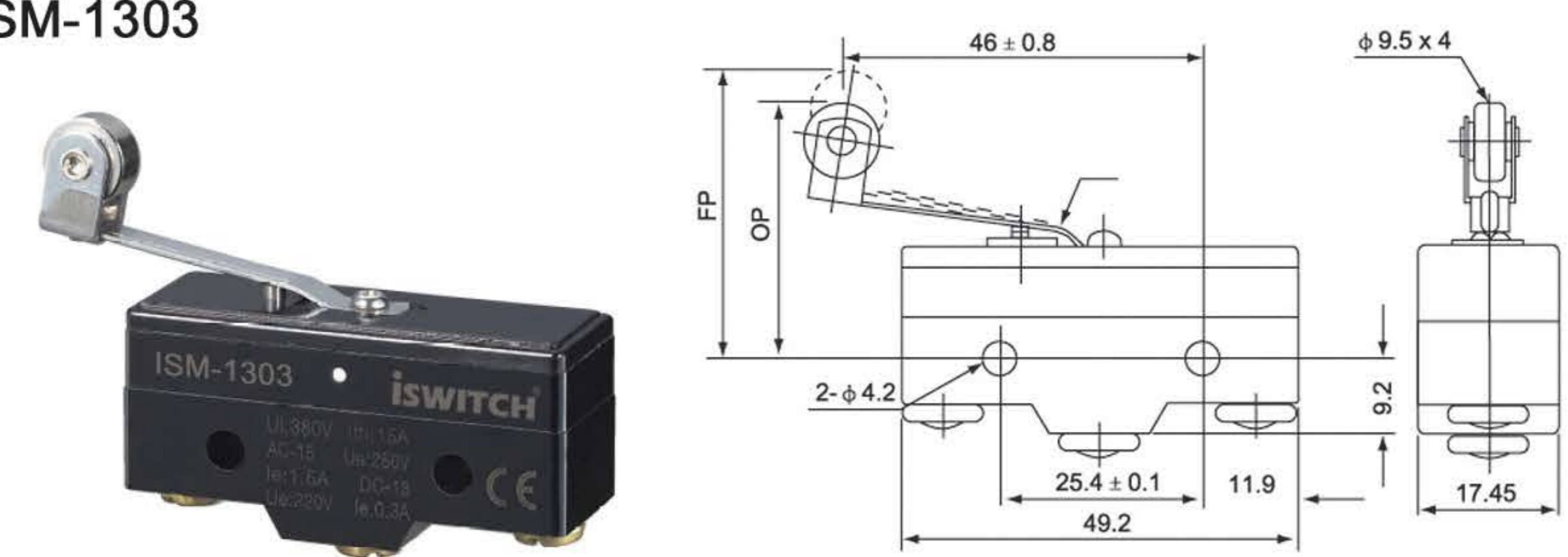
ISM-1301



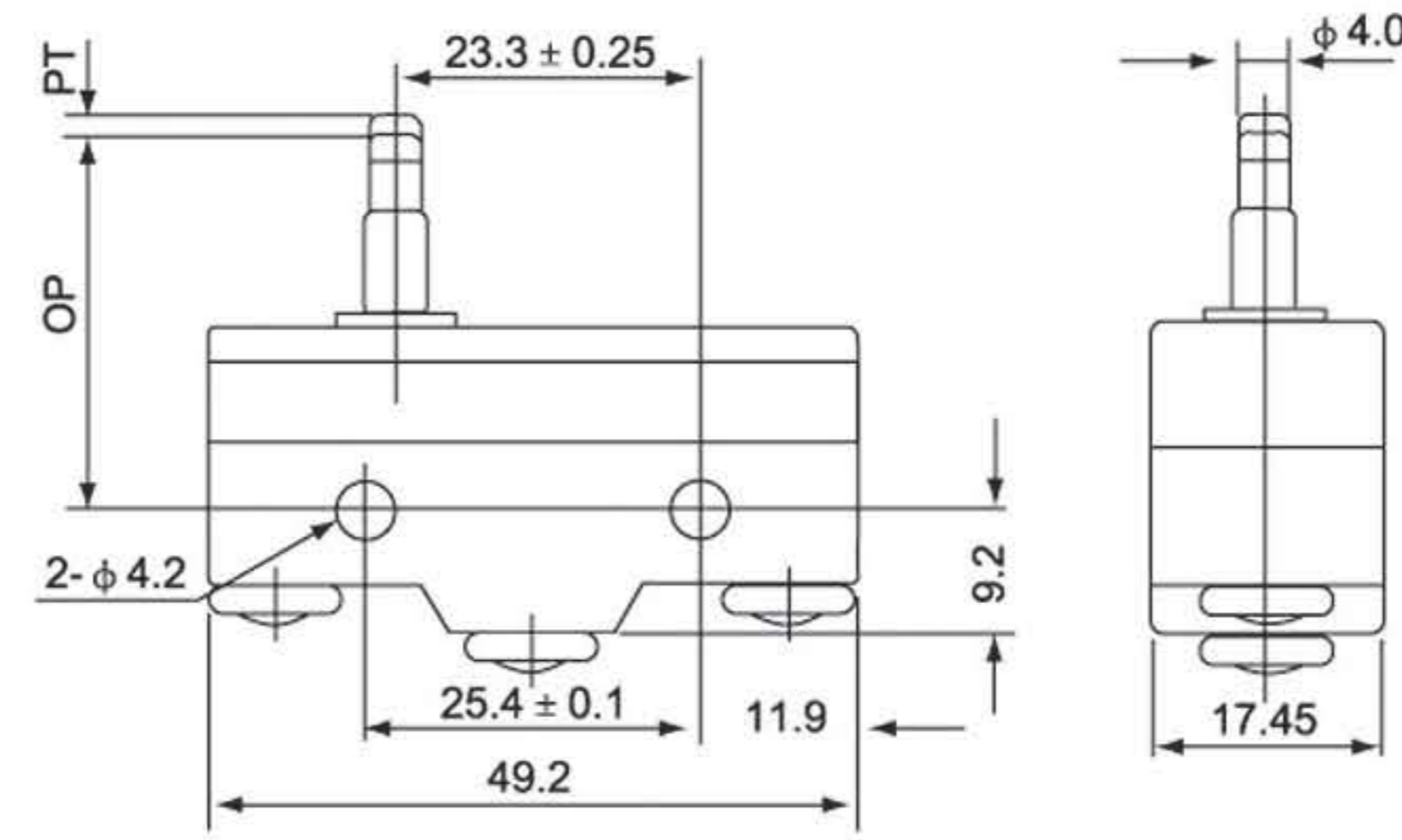
ISM-1743



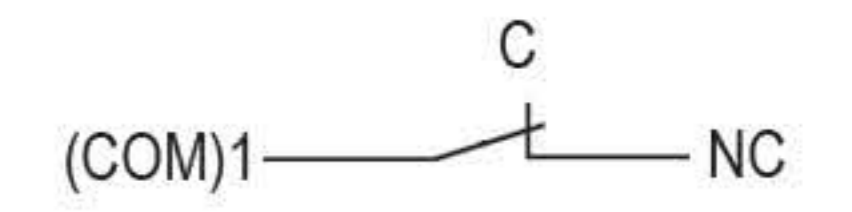
ISM-1303



ISM-1305

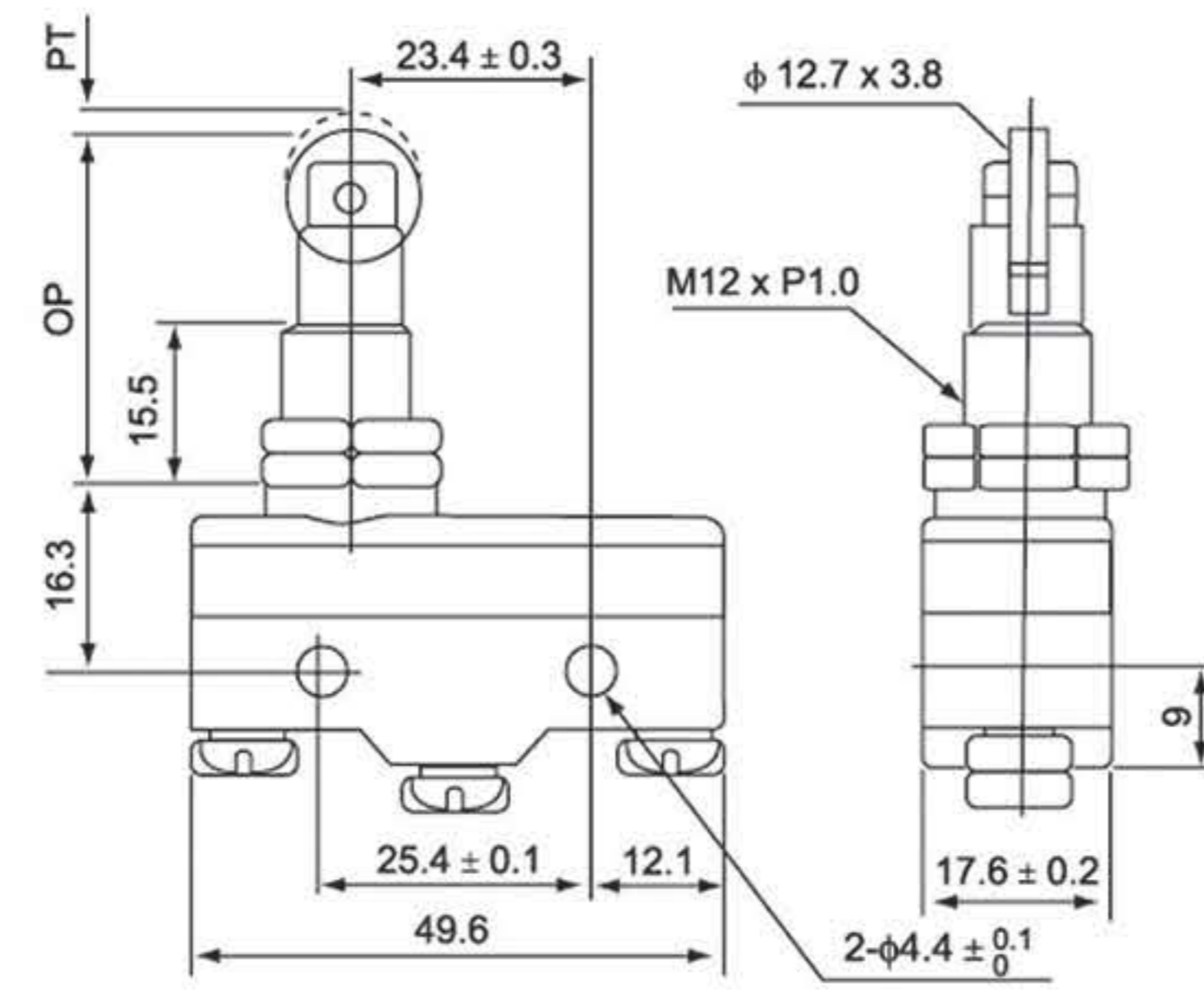


- ISM1-11 uses the environment, the shape, the installation procedure, and (ISM micro switch) the same
- Degree of protection reaches IP67 (except for terminal part)
- High switch on and off capacity(15A)
- High accuracy
- Wide range of operation speed

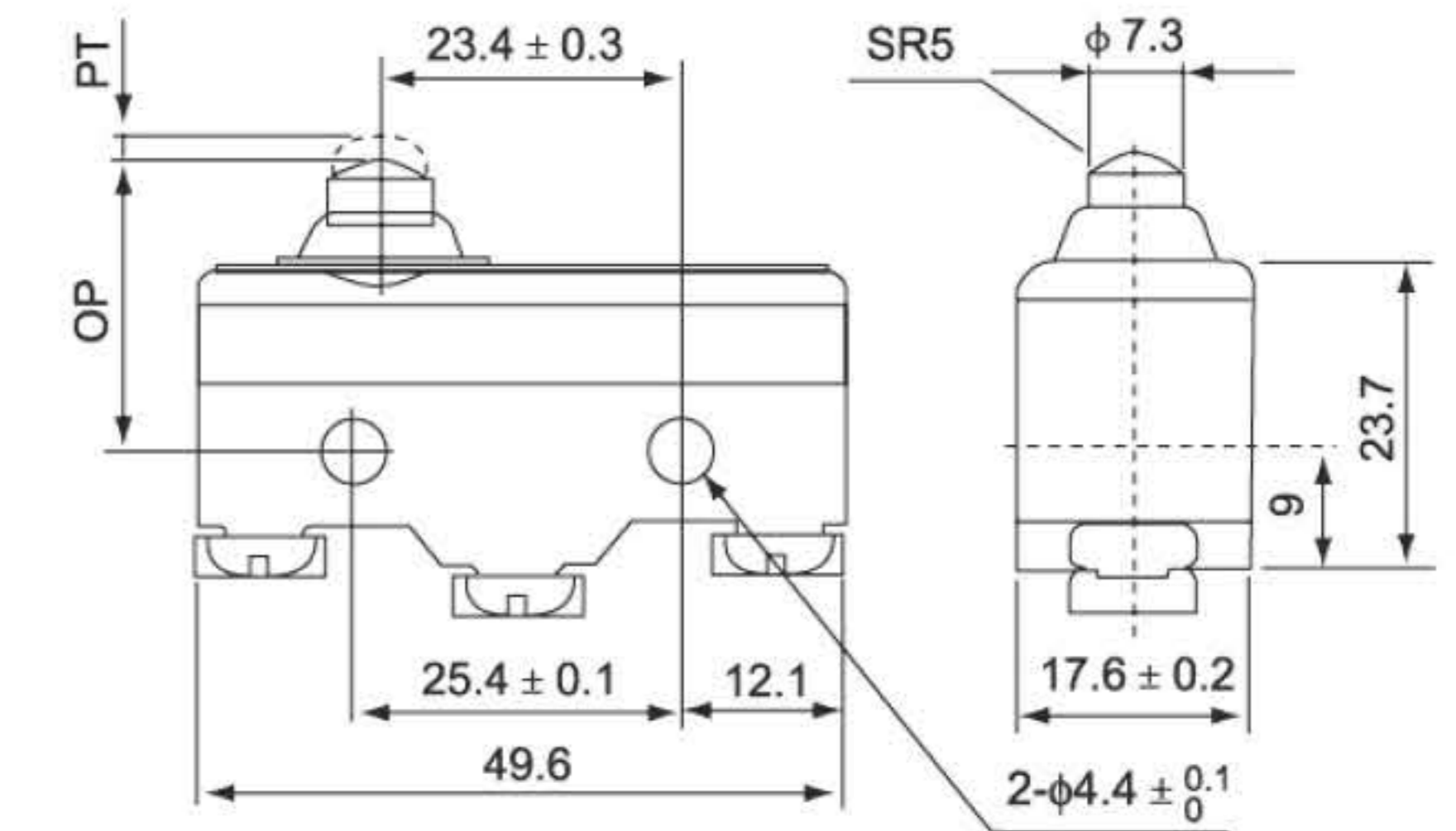


Contact : — NO

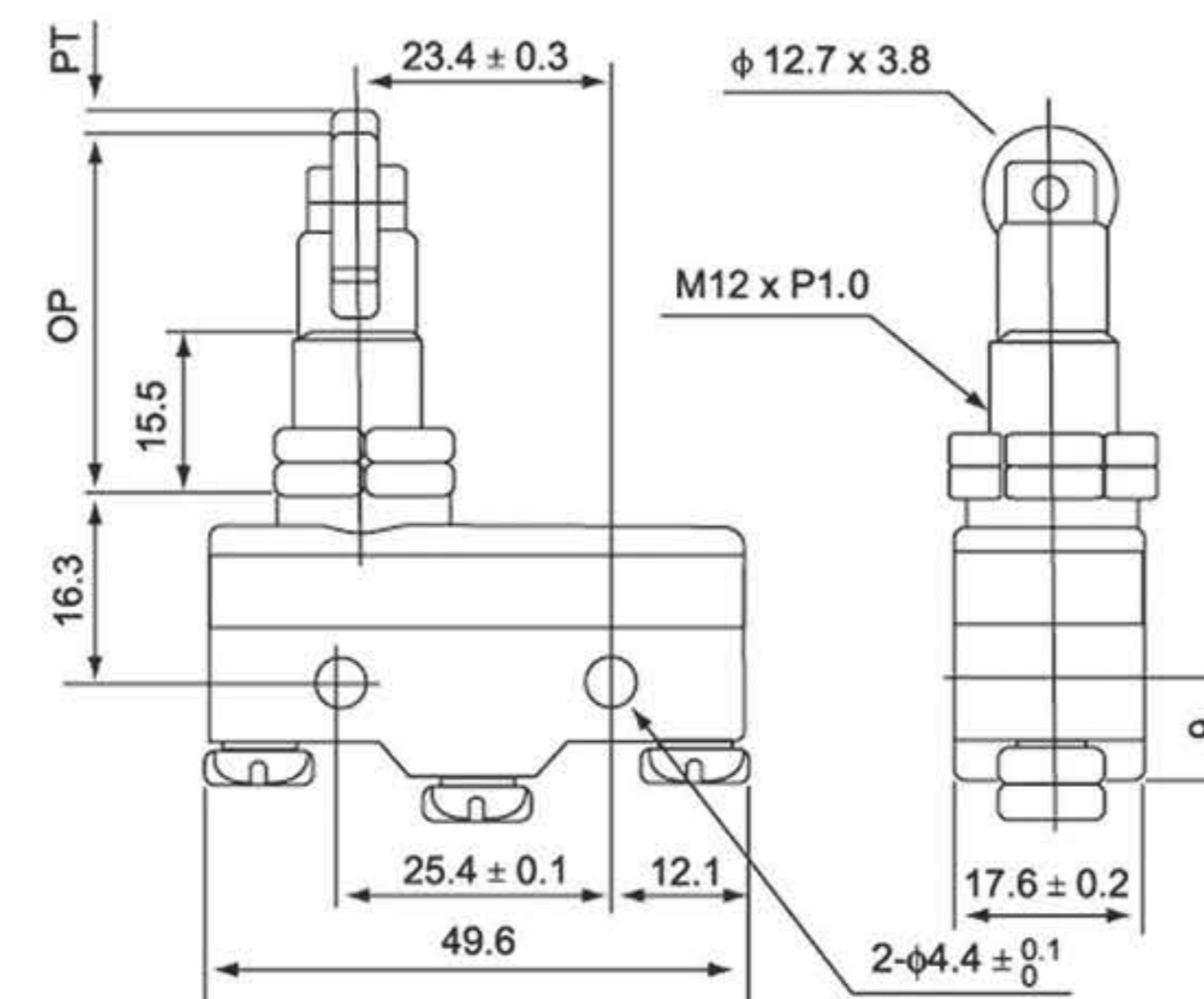
ISM-1308



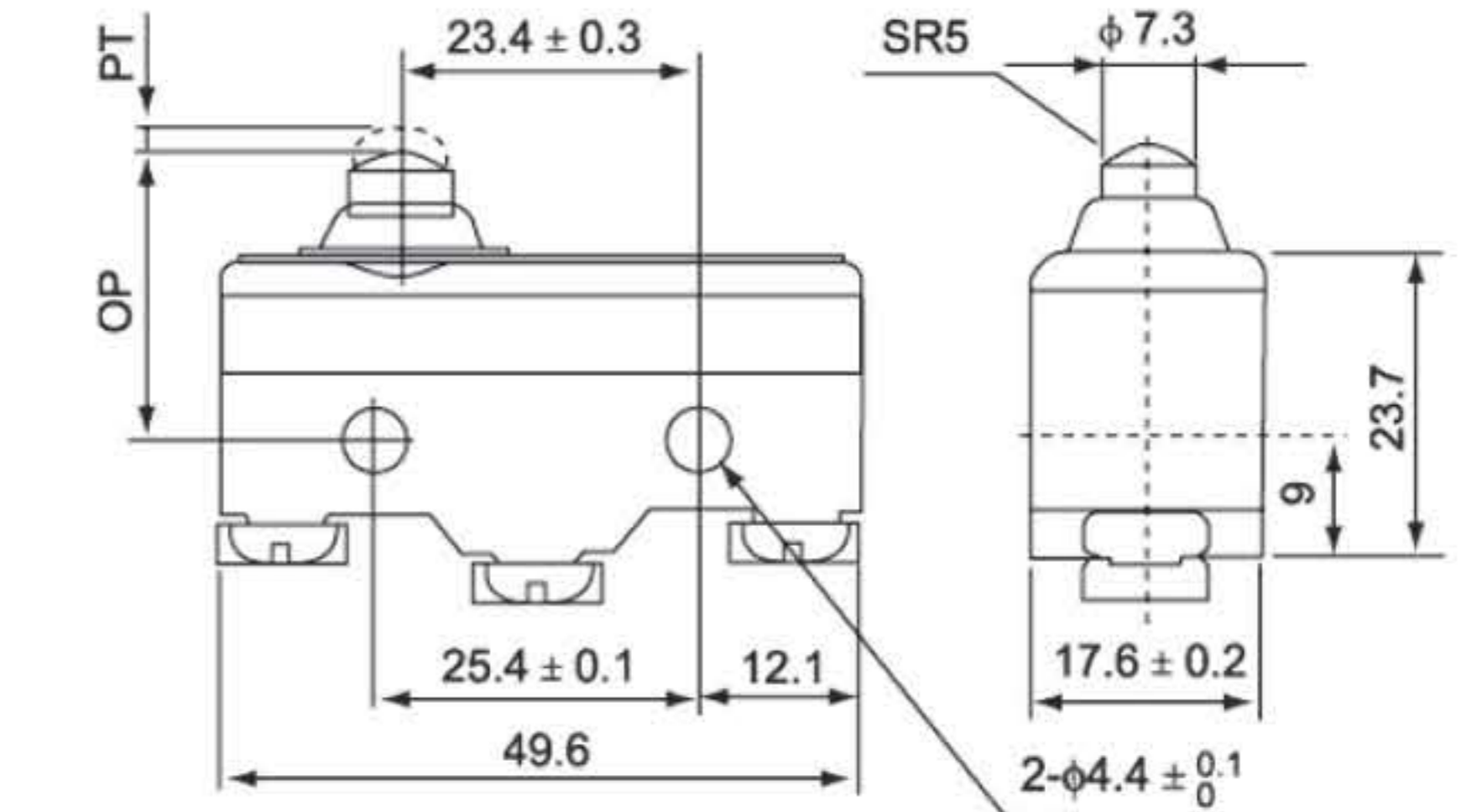
ISM-1306-1



ISM-1309



ISM-1306-2



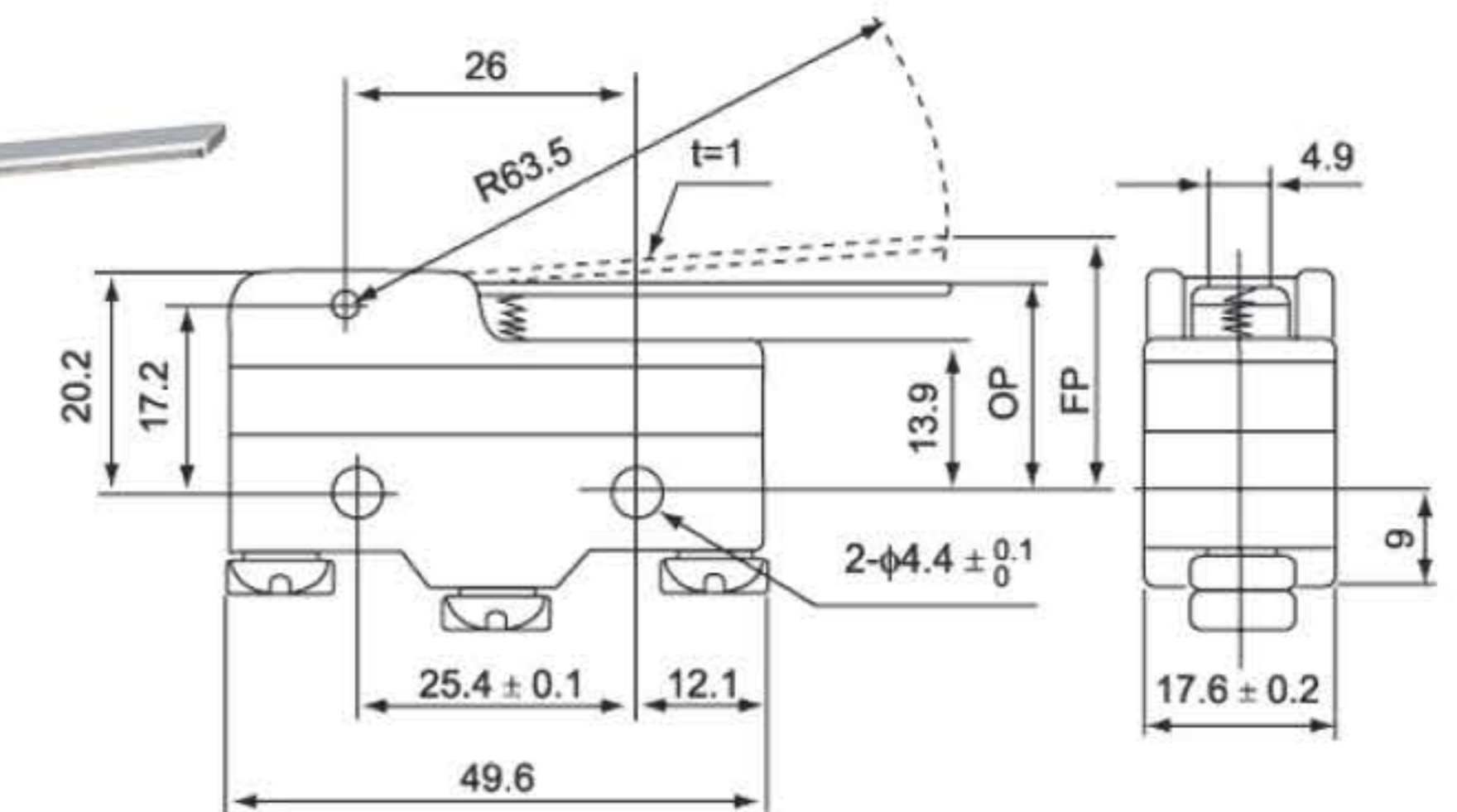
TAP-S



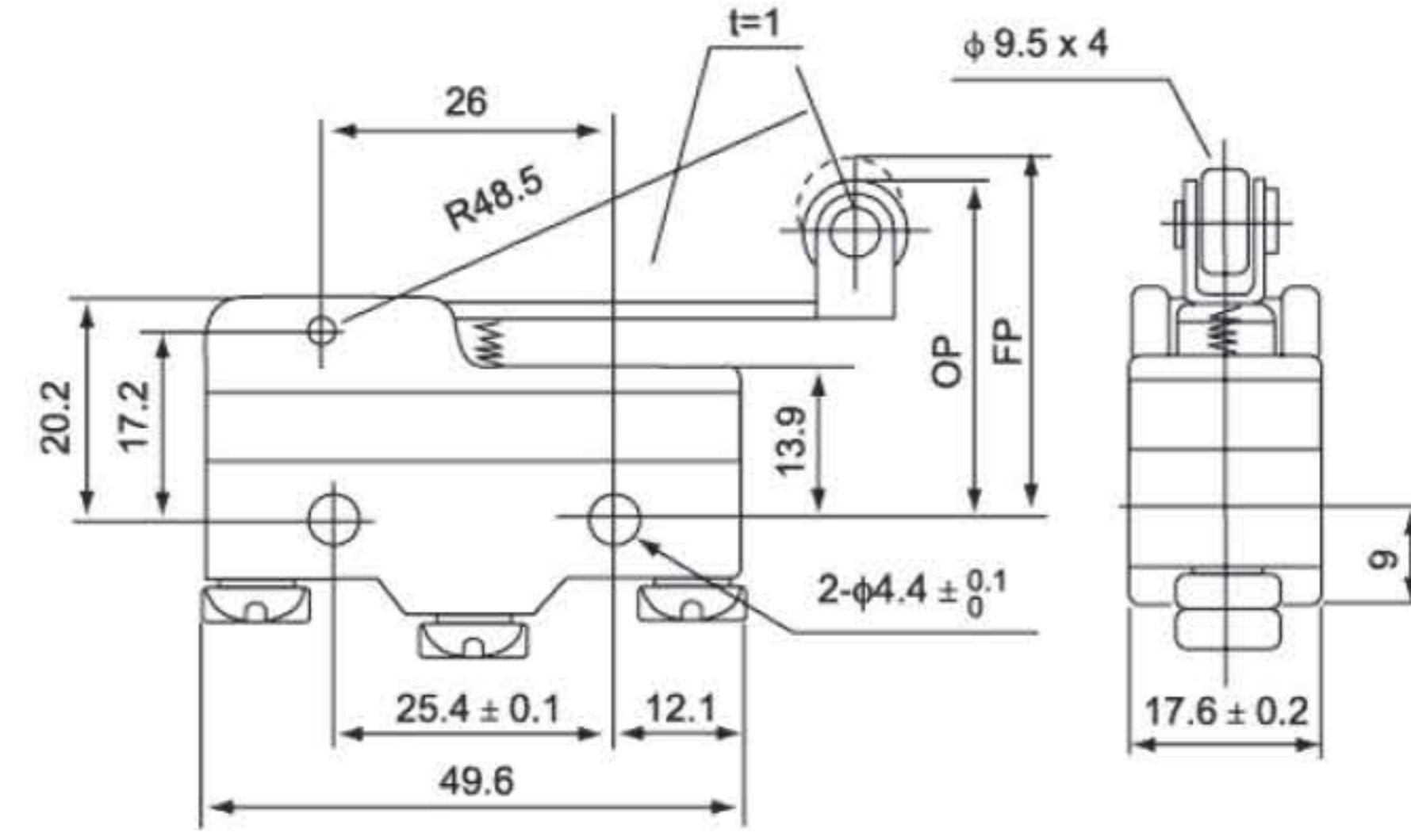
TAP-Y



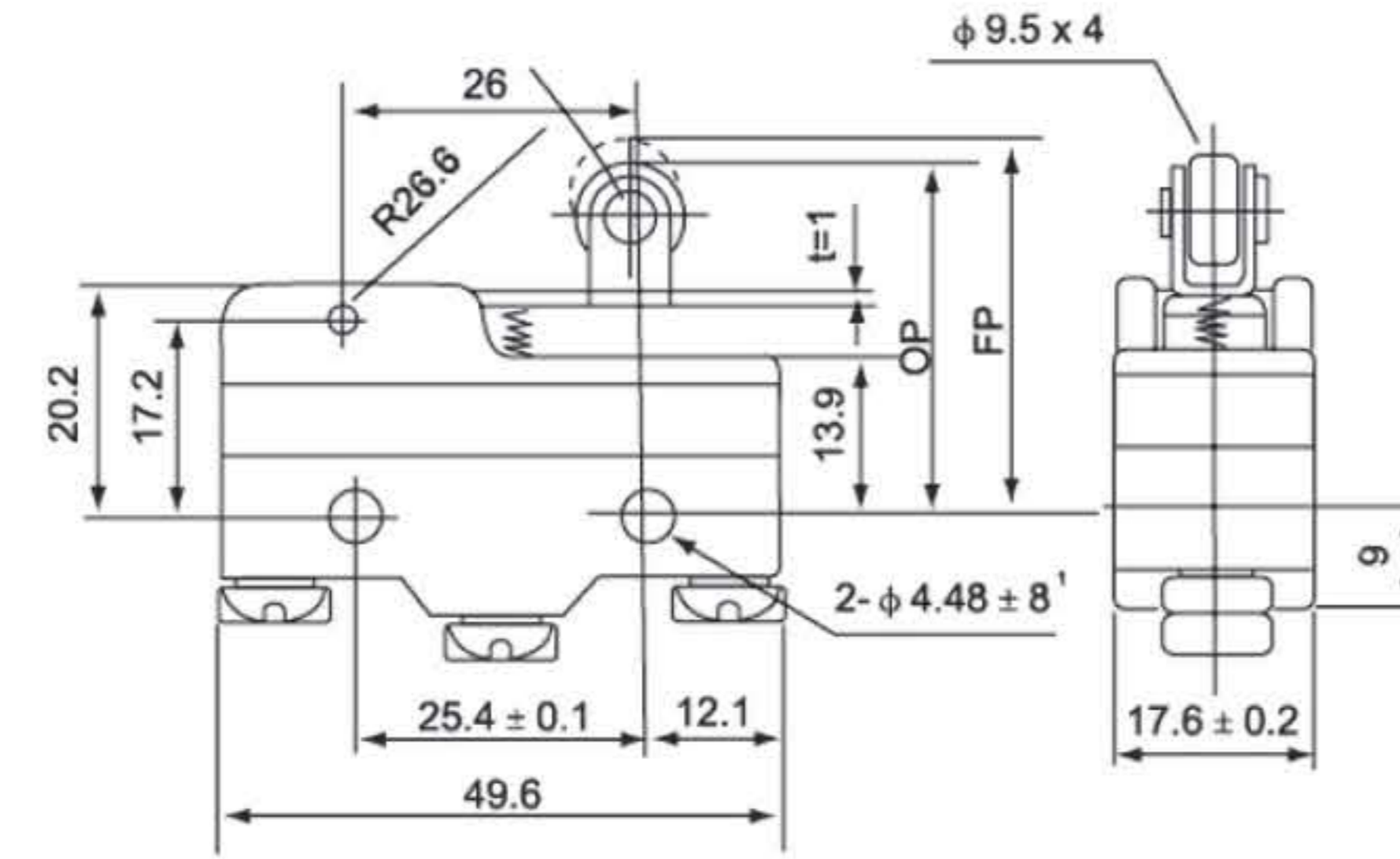
ISM-1701-1



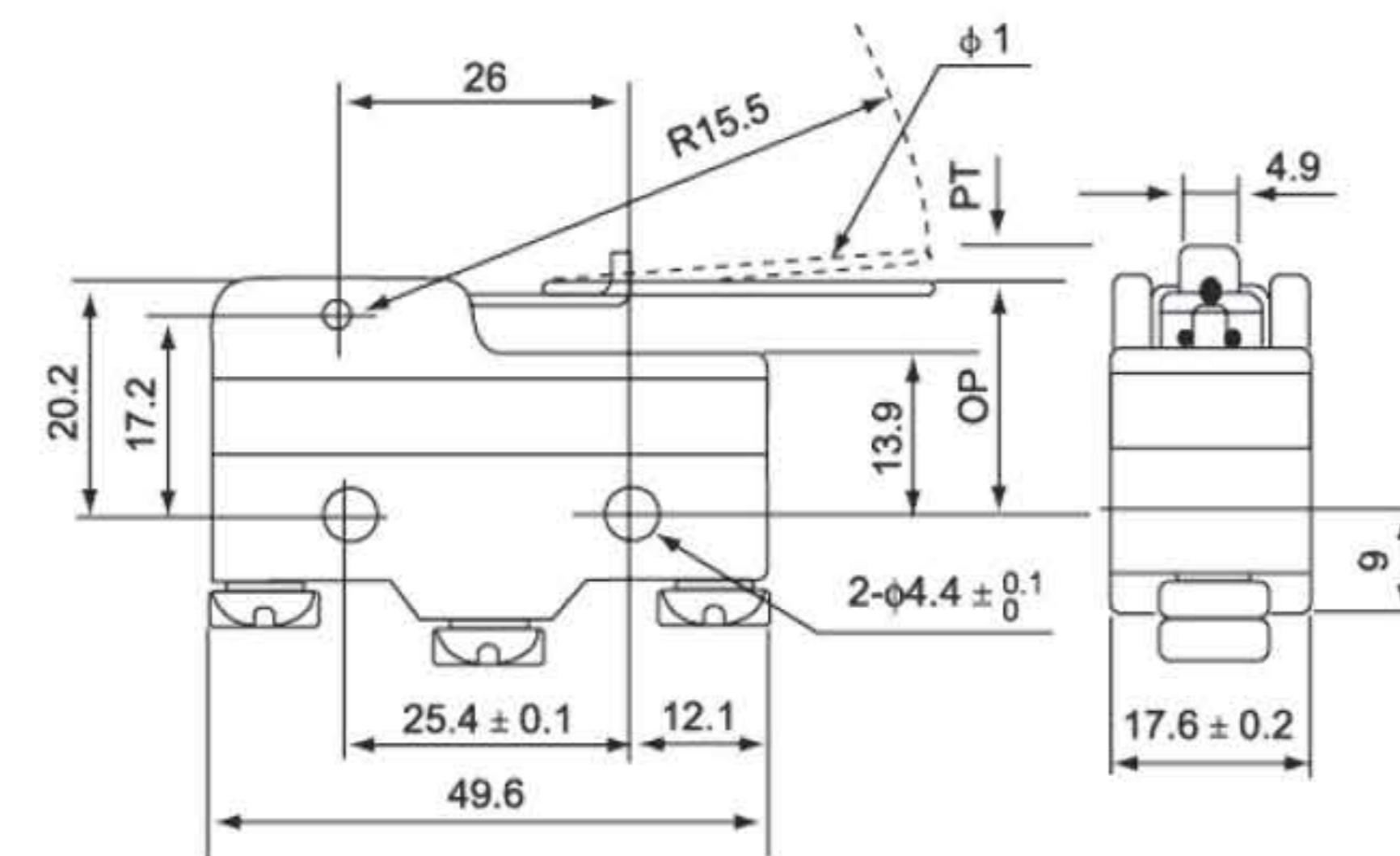
ISM-1703-1



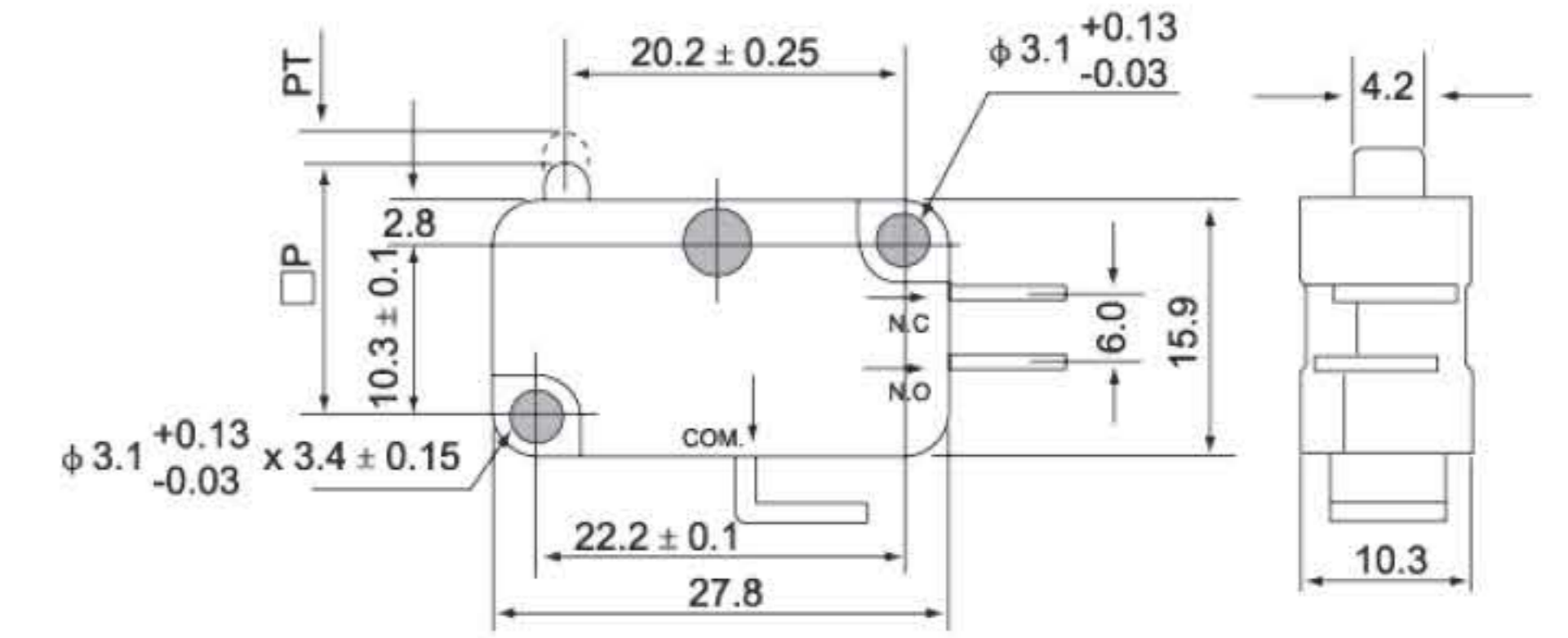
ISM-1704-1



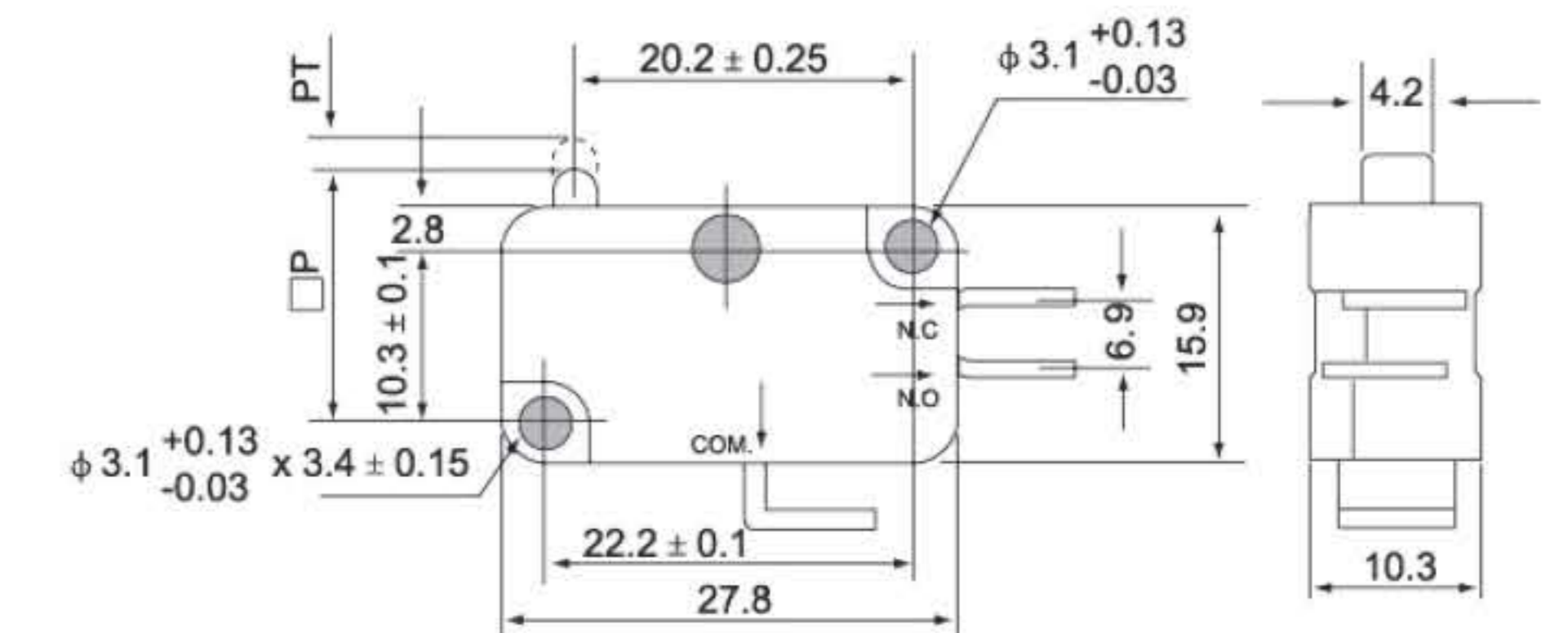
ISM-1705-1



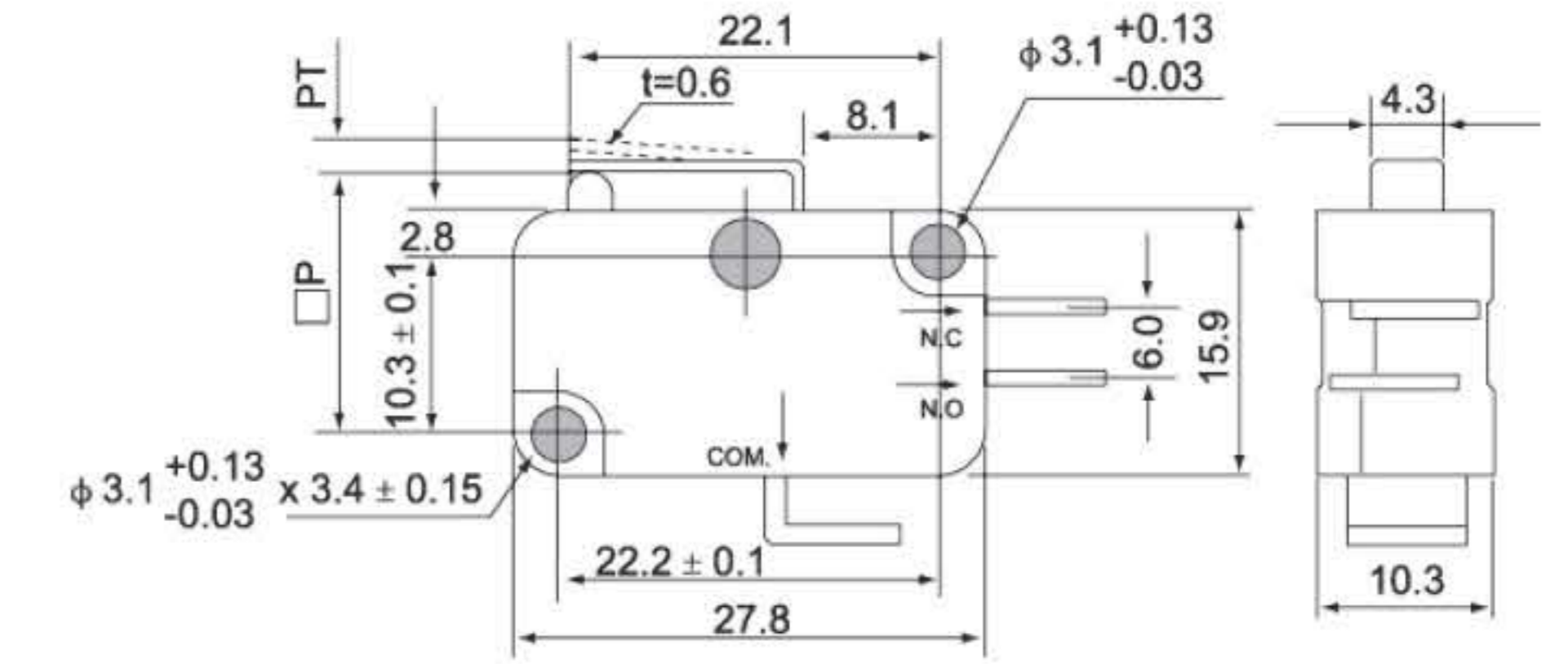
ISM-15-1C25



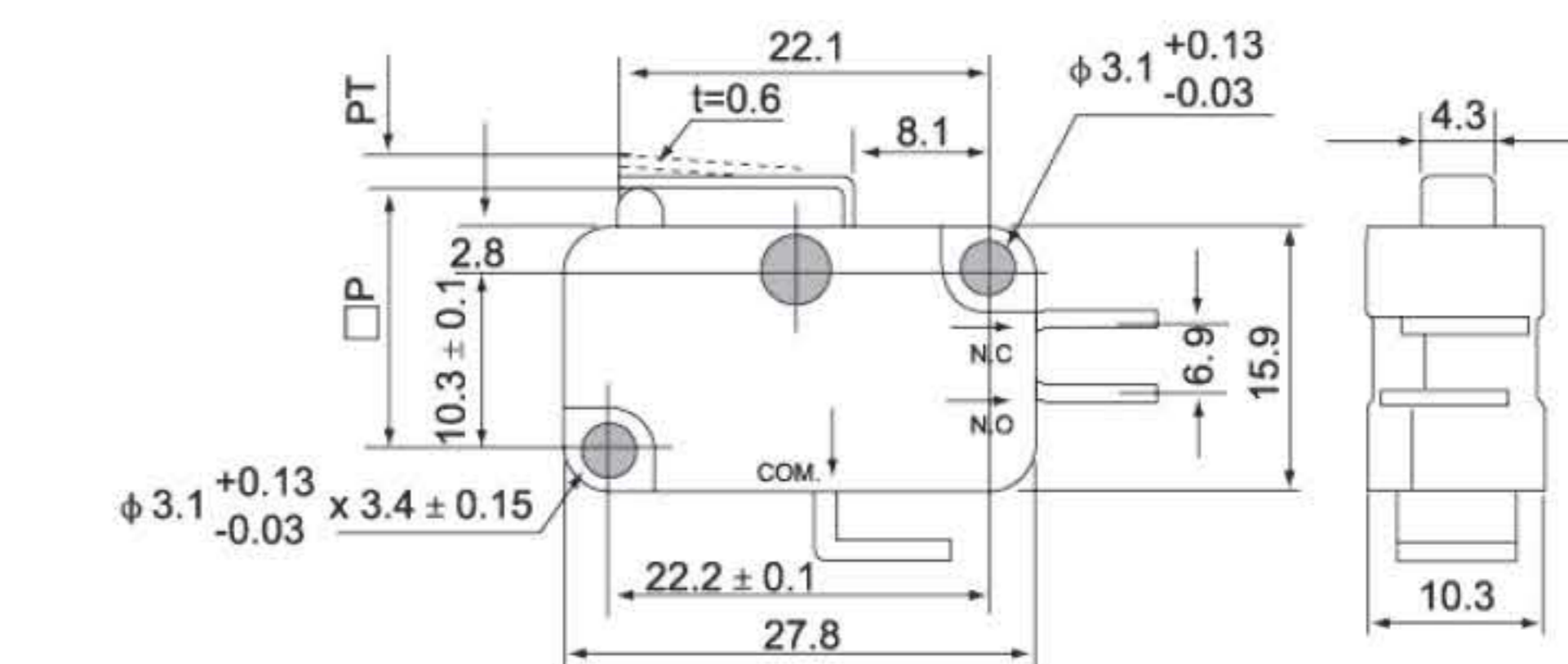
ISM-15-1C5



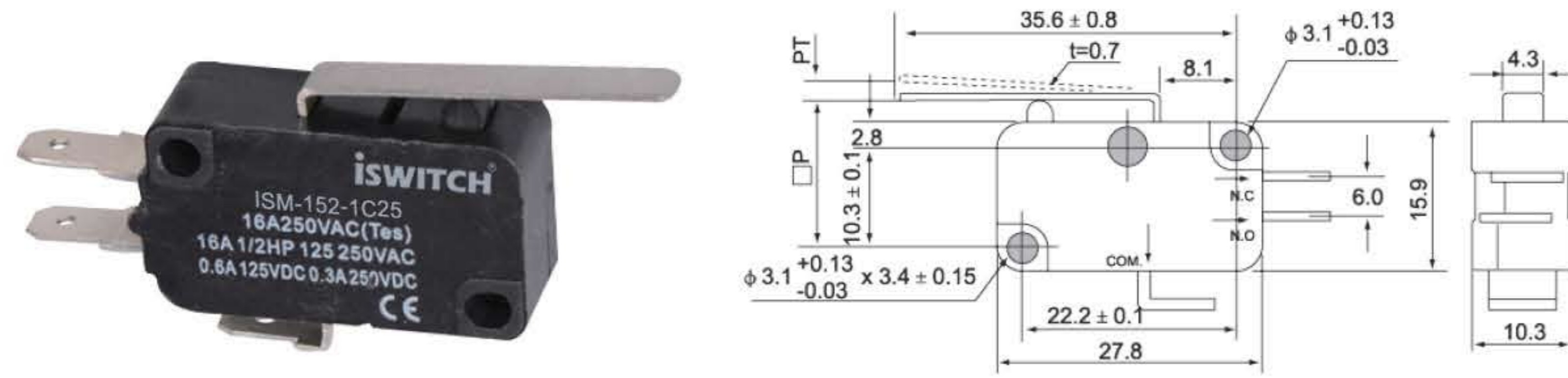
ISM-151-1C25



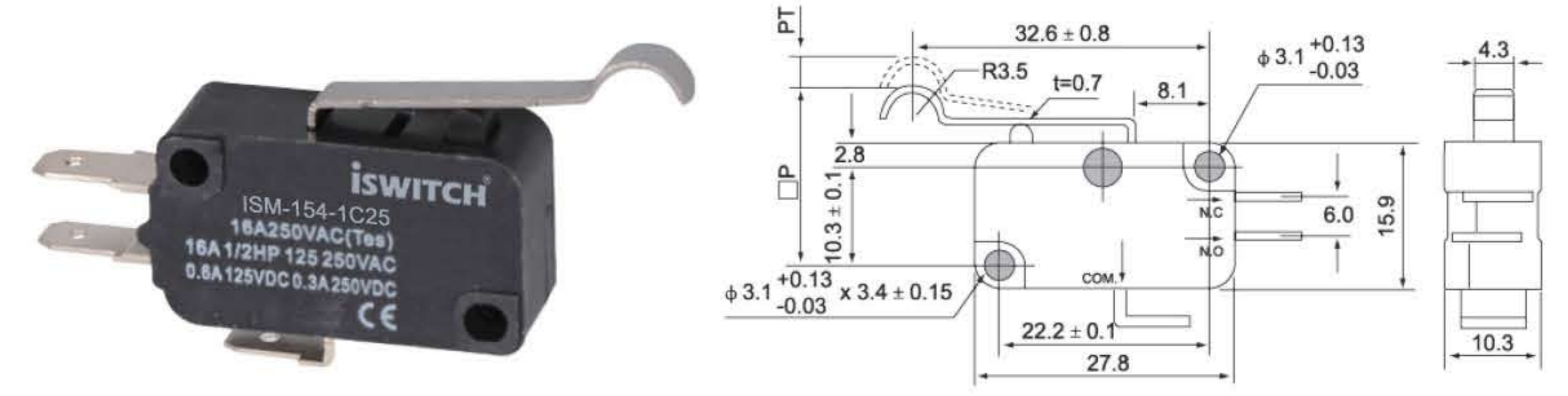
ISM-151-1C5



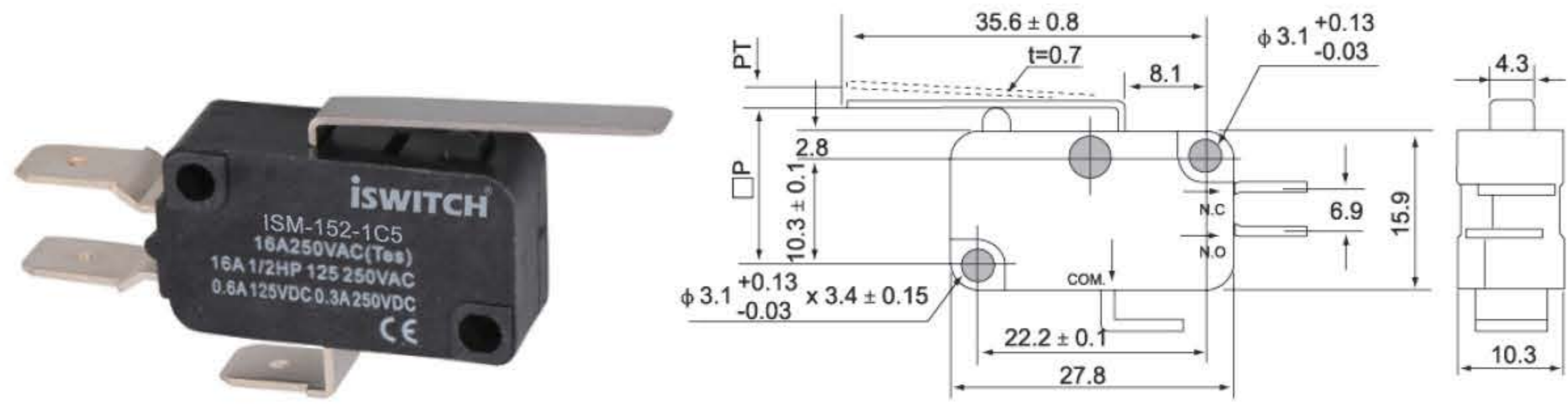
ISM-152-1C25



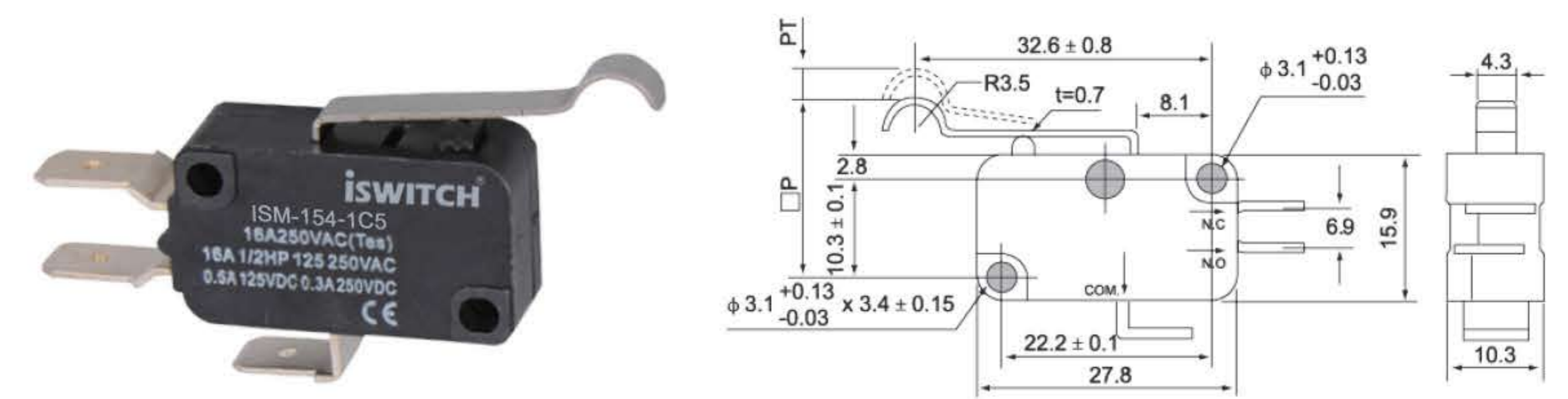
ISM-154-1C25



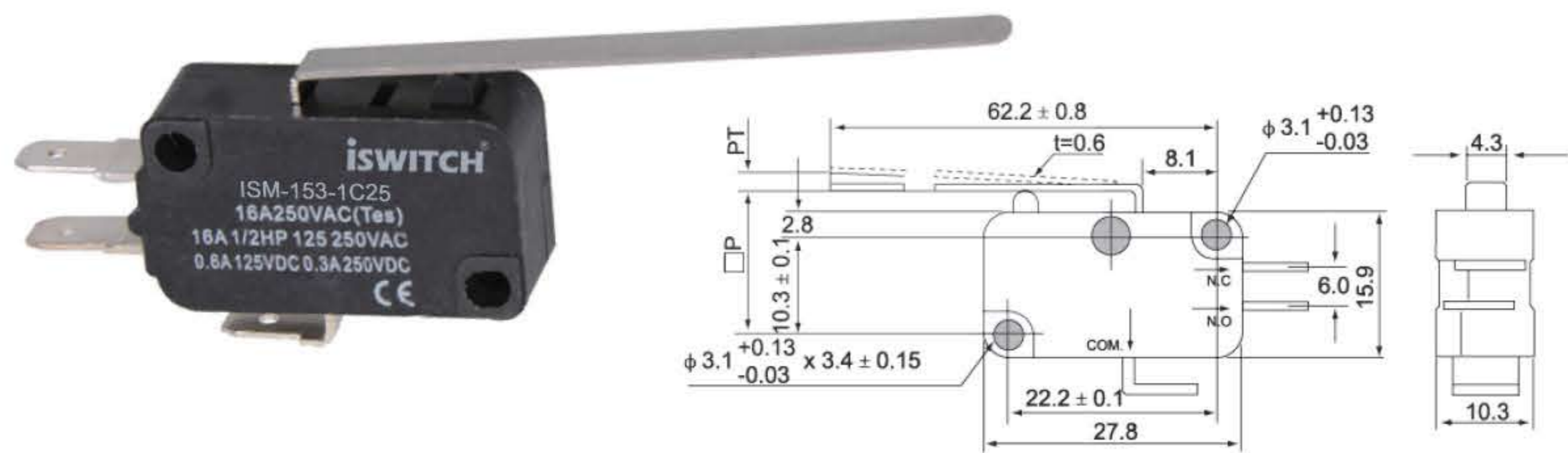
ISM-152-1C5



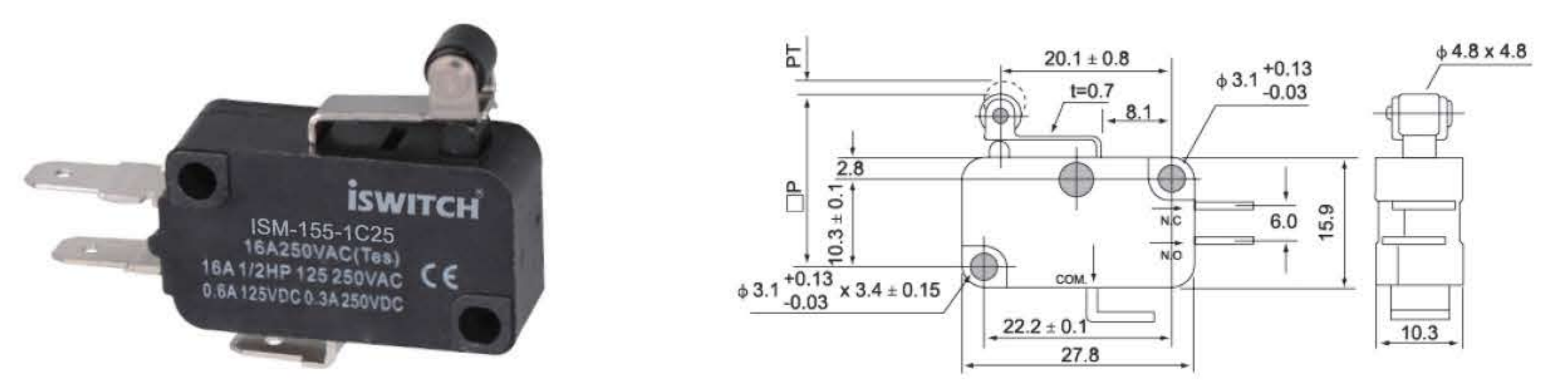
ISM-154-1C5



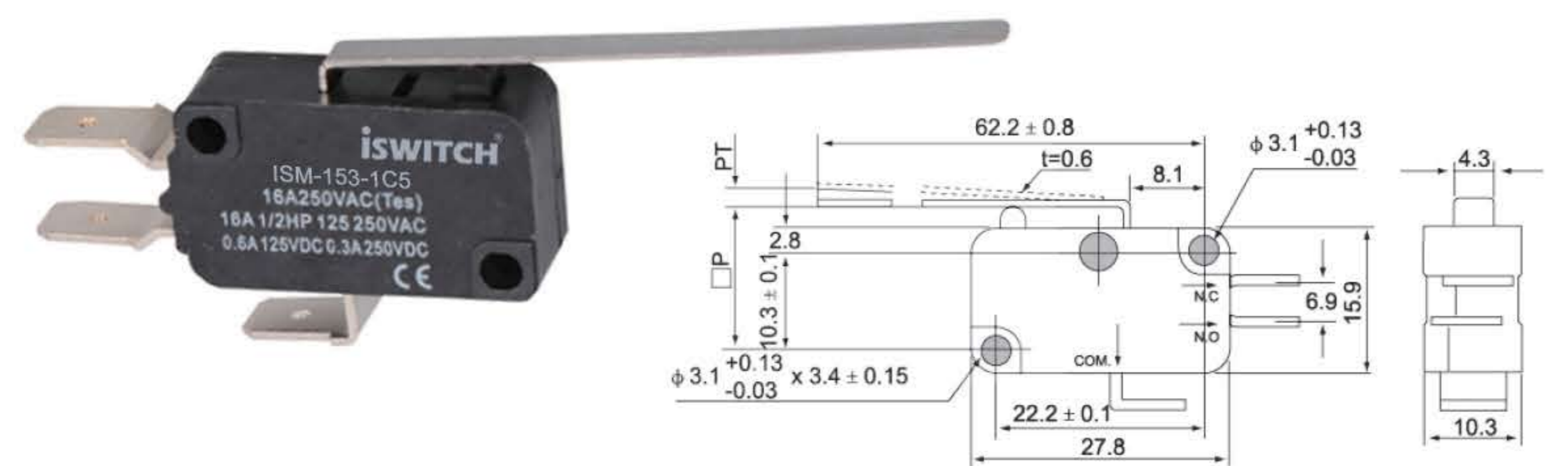
ISM-153-1C25



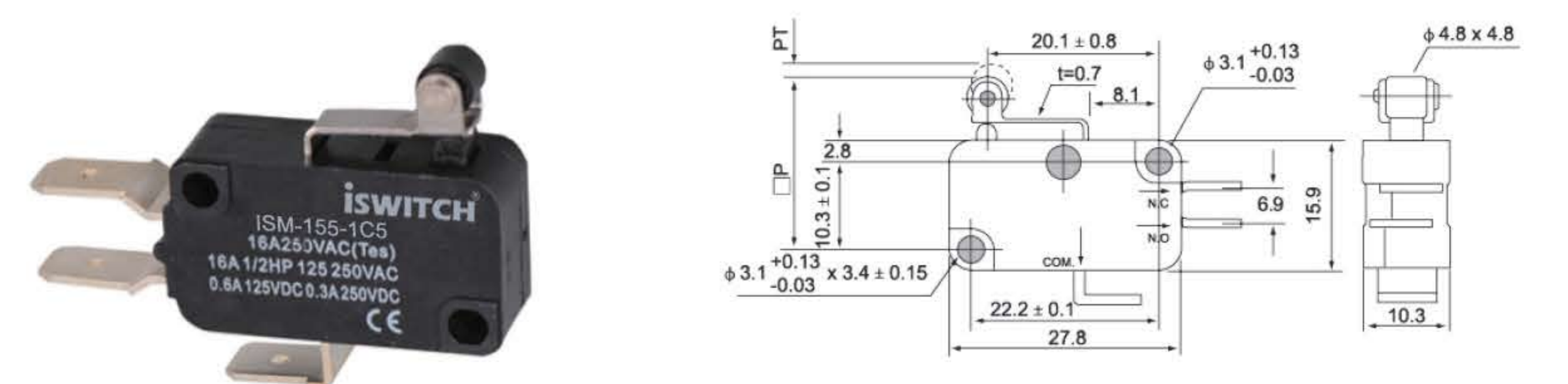
ISM-155-1C25



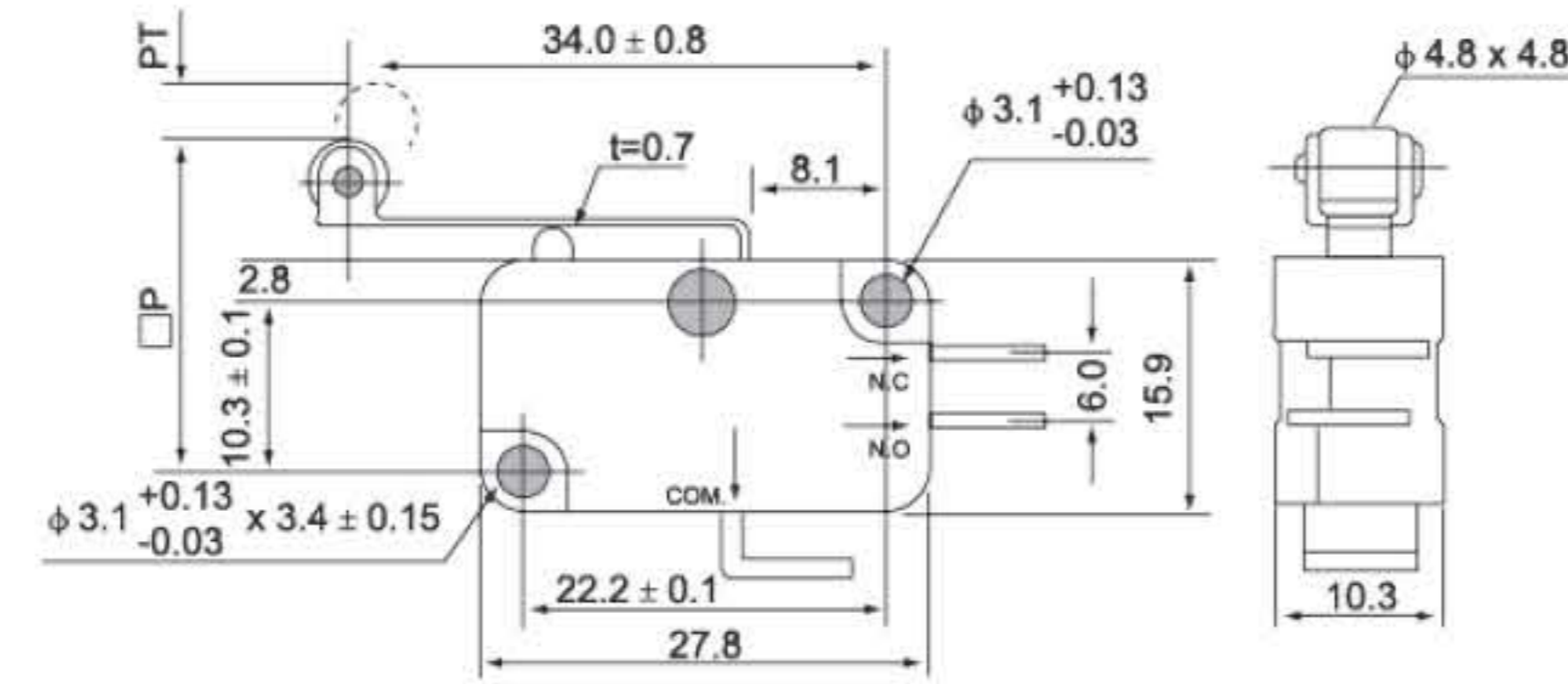
ISM-153-1C5



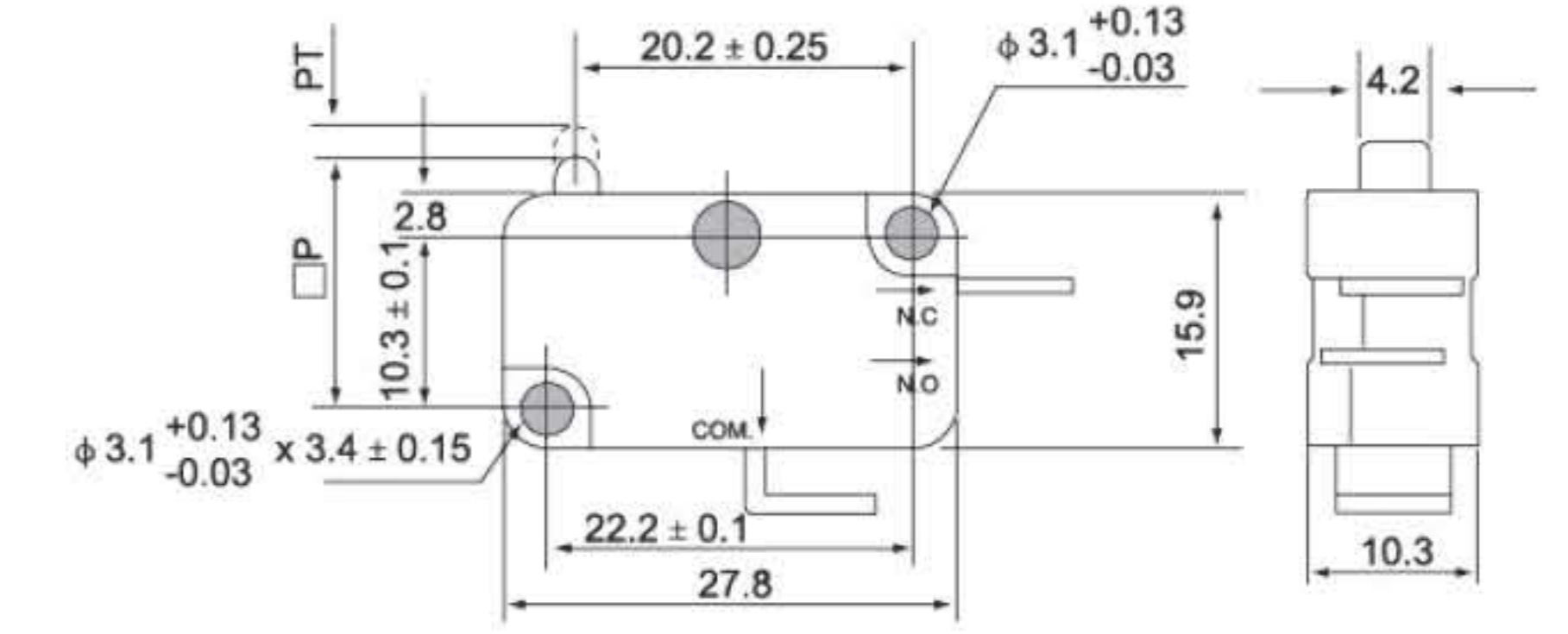
ISM-155-1C5



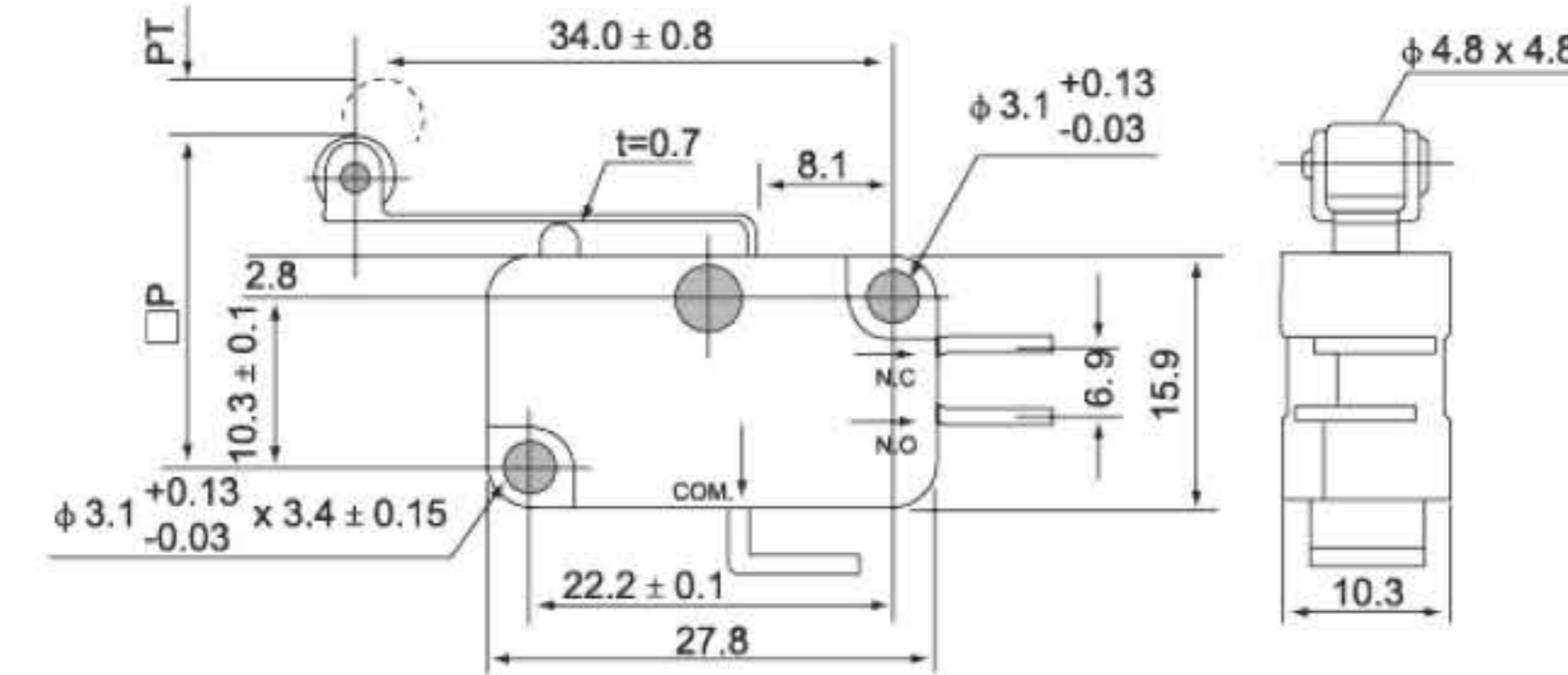
ISM-156-1C25



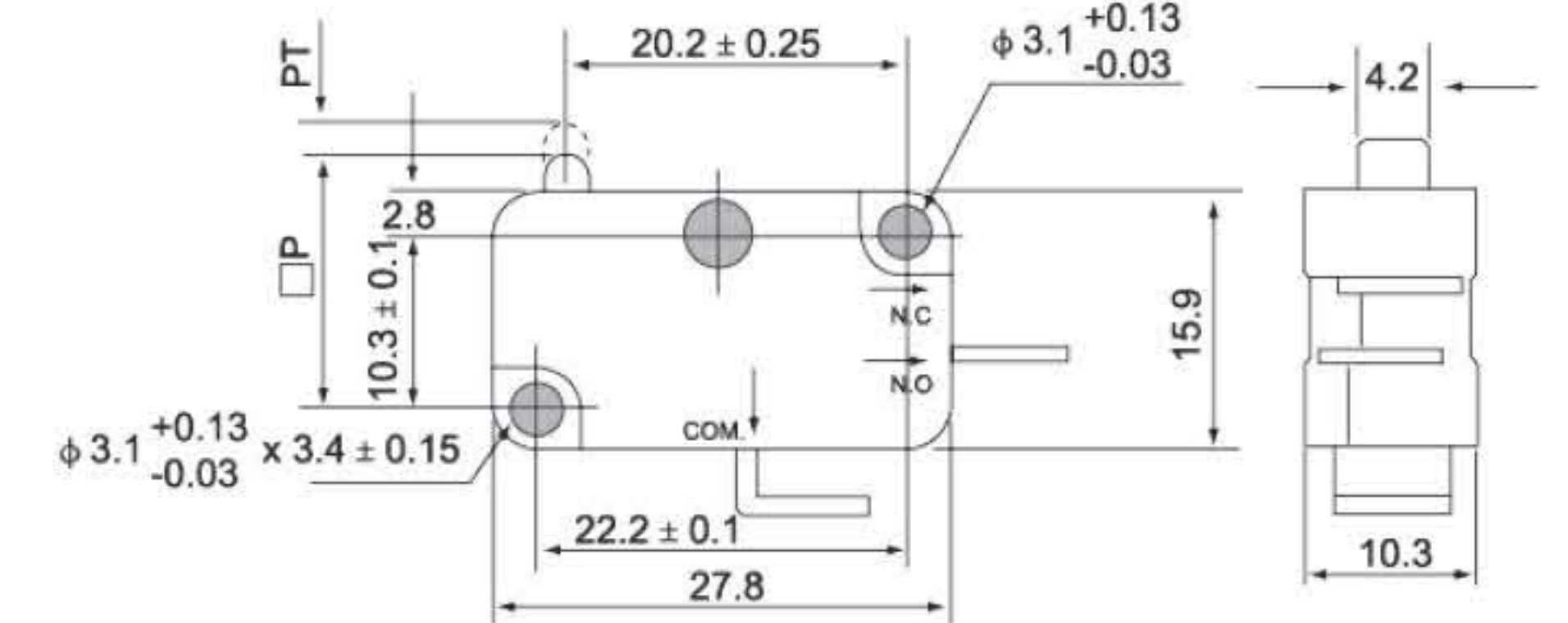
ISM-15-1A25



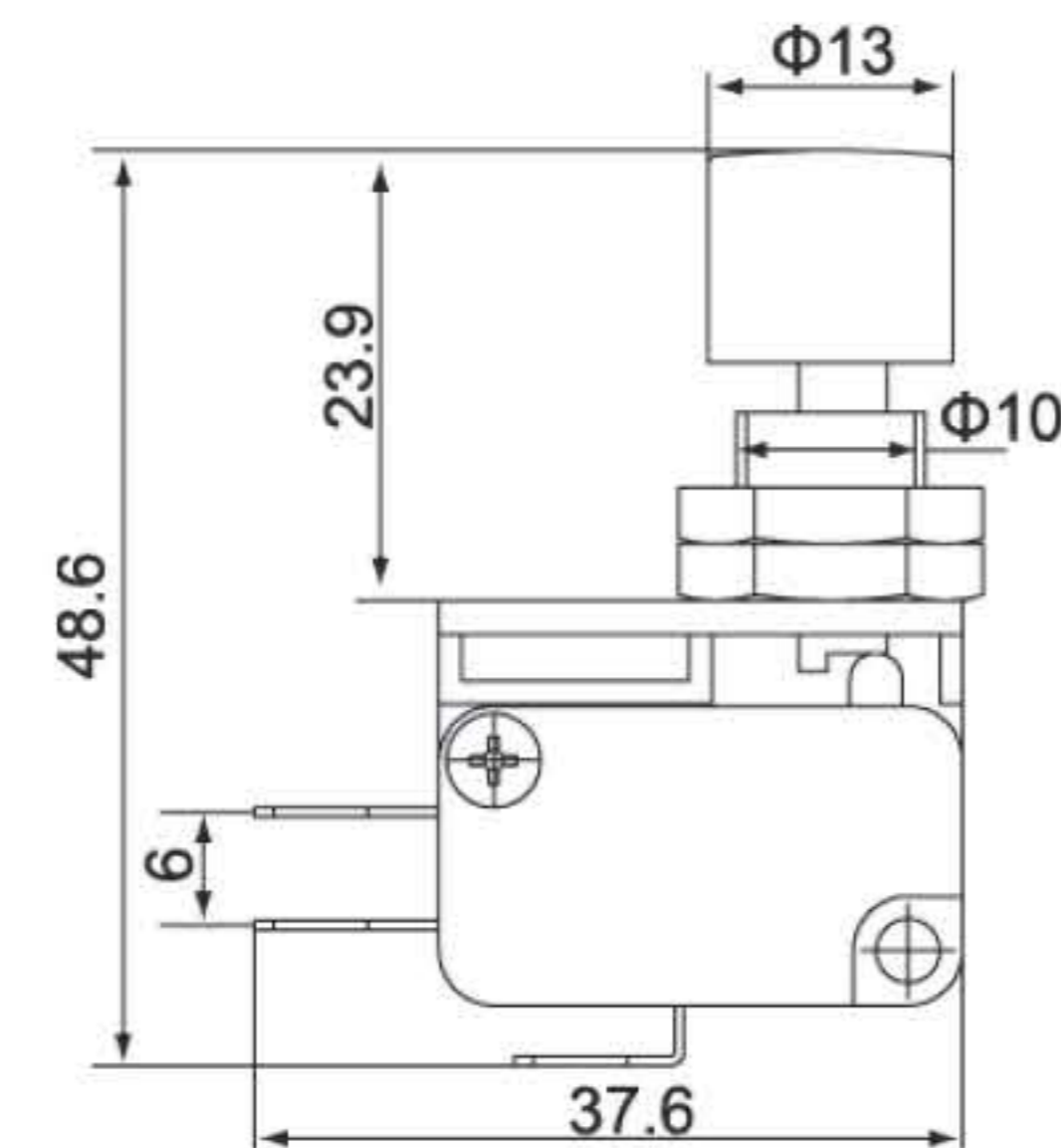
ISM-156-1C5



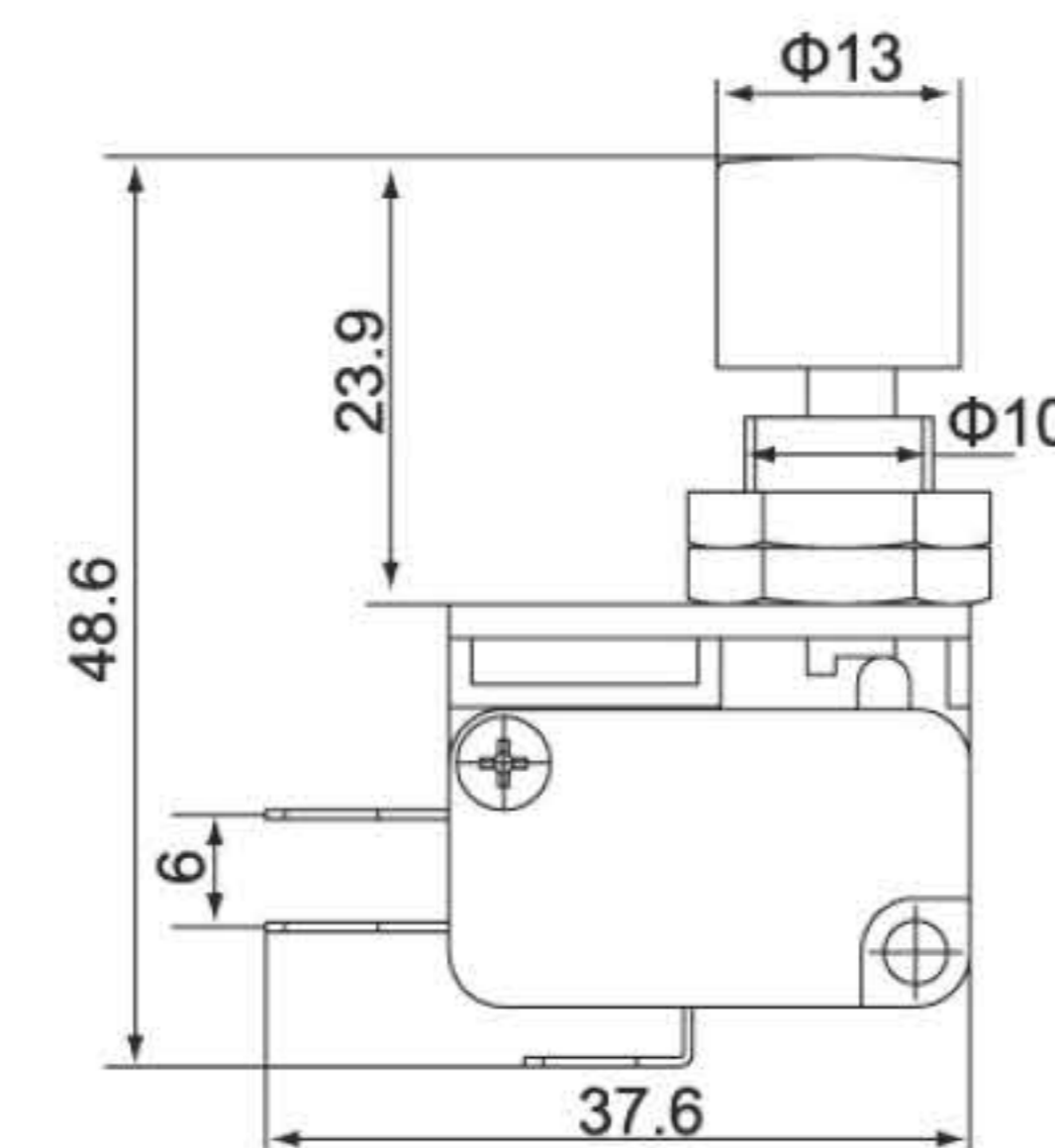
ISM-15-1B25



ISM-VAQ-D



ISM-VAQ-C



Micro Switch Series
Made to Last . . .

Miniature Circuit Breaker is mainly used for protection against overload and short circuit under the AC 50Hz/60Hz, rated voltage 230V/400V and rated current from 1A to 63A. It also can be used for non frequent on-and-off switch operation under normal circumstance.

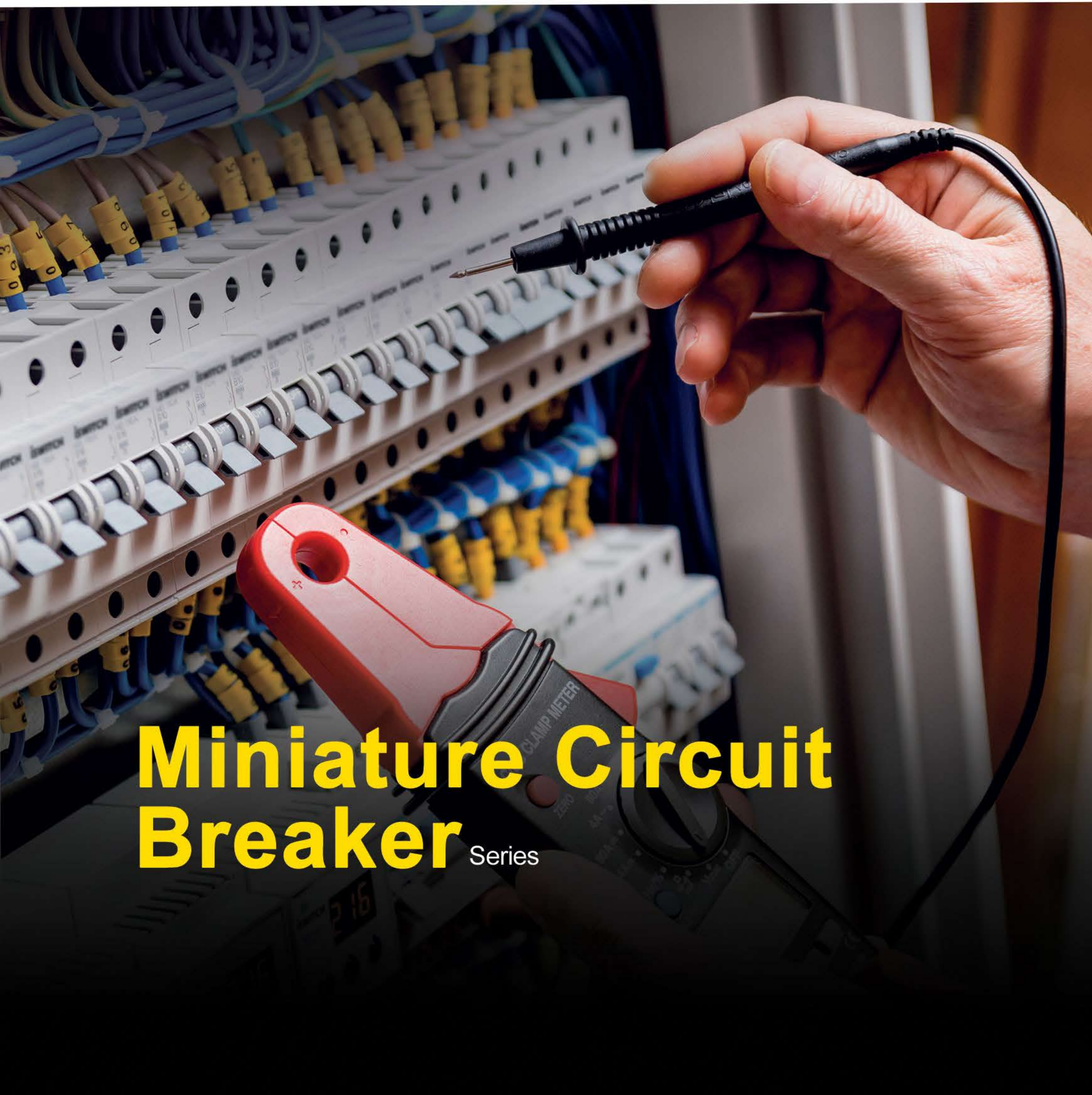
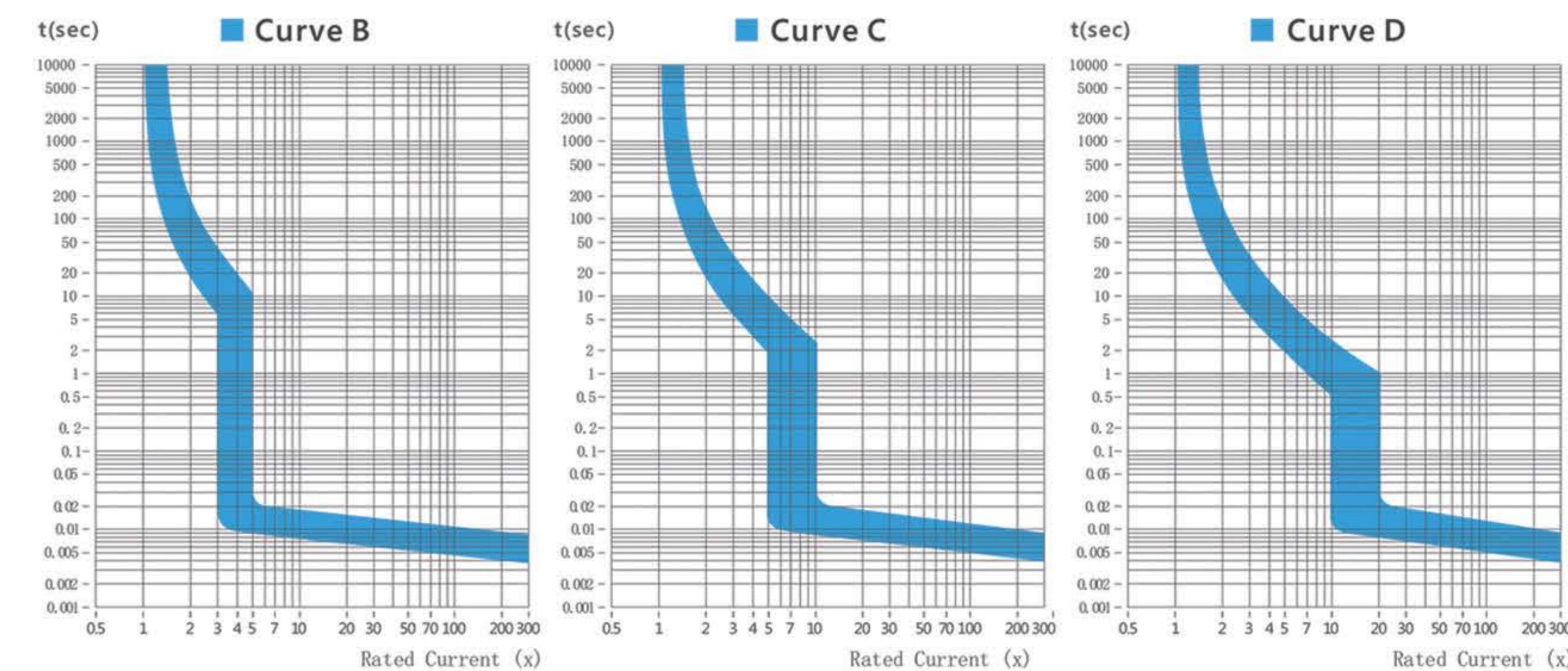
- In compliance with IEC/EN60898-1
- With indicator function in the contact position.
- Transparent cover designed to carry label.
- Bilateral busbar wiring capabilities to adapt to the wider use of premises.
- Maximum connecting ability of 25mm² , wiring torque 3N*m, applicable to a variety of installing equipment.



Technical Data

	4/5 KA	6 KA	10KA
Rated Breaking Capacity			
Rated current	1-63A	1-63A	1-63A
Poles	1P 2P 3P 4P	1P 2P 3P 4P	1P 2P 3P 4P
Rated voltage Ue	1P-230/400V~ 2-3/4P-400~	1P-230/400V~ 2-3/4P-400~	1P-230/400V~ 2-3/4P-400~
Insulation voltage Ui	500V	500V	500V
Rated frequency	50/60Hz	50/60Hz	50/60Hz
Rated impulse withstand voltage (1.2/50) uimp	6kv	6kv	10kv
Dielectric test voltage at and ind. freq. for 1 min	2kv	2kv	2kv
Pollution degree	2	2	2
Thermo-magnetic release characteristic	B C D	B C D	B C D
Electrical life	4000	8000	8000
Mechanical life	10000	6000	10000
Installation			
Contact position indicator	Yes	Yes	Yes
Protection Class	IP20	IP20	IP20
Reference temperature for setting of thermal element	30°C	30°C	30°C
Ambient temperature (with daily average ≤35°C)	-5~+40°C	-5~+40°C	-5~+40°C
Storage temperature	-25~+70°C	-25~+70°C	-25~+70°C
Terminal connection type	Cable/U-type busbar/Pin-type busbar	Cable/U-type busbar/Pin-type busbar	Cable/U-type busbar/Pin-type busbar
Terminal size top/bottom for cable	25mm ² 18-3	25mm ² 18-3	25mm ² 18-3
Tightening torque	3.0N-m 22	3.0N-m 22	3.0N-m 22
Mounting	On DIN rail FN 60715(35mm) by means of fast clip device	On DIN rail FN 60715(35mm) by means of fast clip device	On DIN rail FN 60715(35mm) by means of fast clip device
Connection	Top and bottom	Top and bottom	Top and bottom
Combination with accessories			
Auxiliary contact	Yes	Yes	Yes
Alarm contact	Yes	Yes	Yes
Shunt release	Yes	Yes	Yes
Under voltage release	Yes	Yes	Yes

Characteristics Curve



Temperature Compensation

When the ambient temperature is not a benchmark of 30 degrees, the reference correction factor is as follows.

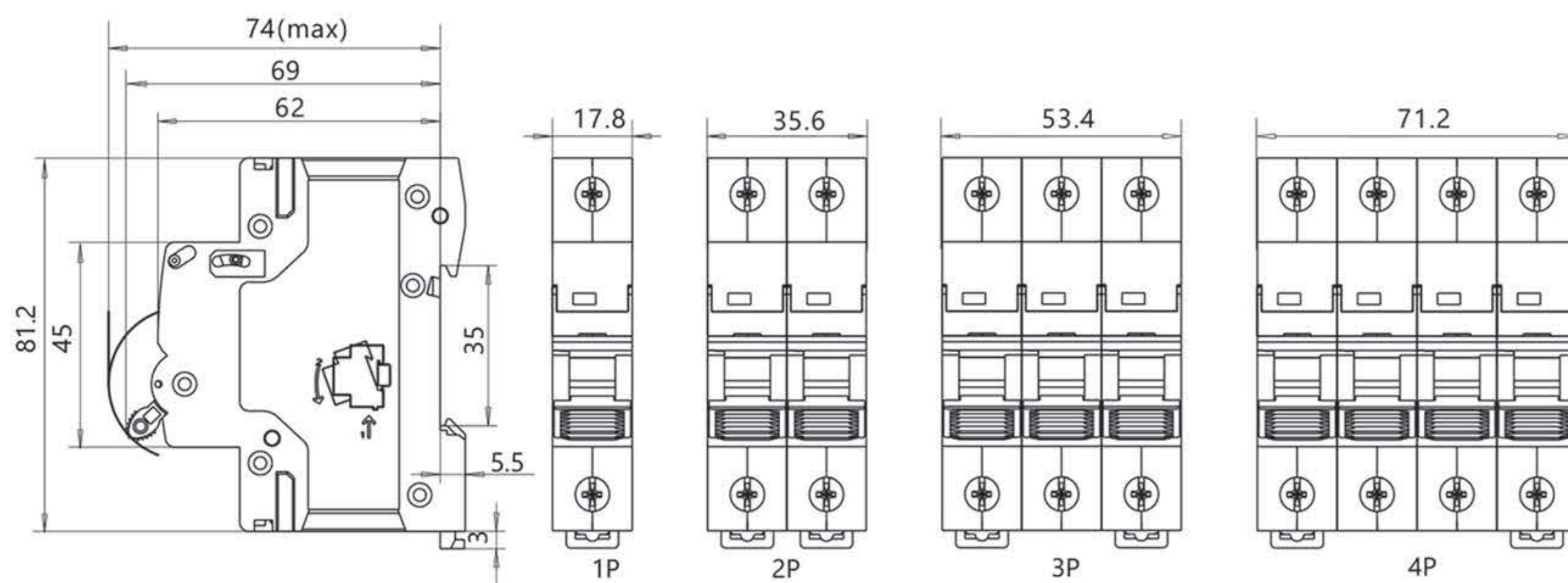
Ambient Temperature	-20°C	-10°C	0°C	10°C	20°C	30°C	40°C	50°C	60°C
Curent Correction Coefficient	1.20	1.15	1.11	1.08	1.04	1.00	0.96	0.92	0.88

Connection

Rated current	Nominal Section Area of Copper Wire (mm ²)
1~6A	1
10A	1.5
16、20A	2.5
25A	4
32A	6
40、50A	10
63A	16

Terminals are suitable for solid or fl exible conductors from 18 to 4 AWG (0.75 to 25mm²) with no busbar connected. When maximum busbarsize of 36 mm² is used, maximum cable is 6 AWG (16 mm²).
 Maximum tightening torque of 17.5 in-lb (2 Nm) for line/load terminals and 4.5 in-lb (0.5Nm) for accessory device terminals.

Mounting & Dimension



Universal mounting position using snap-on mounting to standard 35x7.5mm DIN rail. Miniature circuit breakers (MCBs) can also be mounted to front of door using a panel cut-out with breaker handle protruding through panel opening for external operation.

ISR Earth Leakage circuit breaker is suitable to the circuit of AC 60/50Hz.rated voltage 230V for 2 poles and 400V for 4 poles, and rated current up to 100A. when people come across the electric shock or the leakage current of the electrical network exceeds the fixed value, this product can cut off the fault current in short period so as to protect person and the equipments, It also can be used in the infrequent starting of the circuit and motors.

The circuit breaker is suitable to industry, commerce, high-rise building, household and other kinds of places.

- In compliance with IEC/EN61008.1.
- Bilateral busbar wiring capabilities to adapt to the wider use of premises.
- Maximum connecting ability of 35mm² ,wiring torque 3.5N*m, applicable to a variety of installing equipment.
- Protection class:IP20



Residual Current Circuit Breaker Series



Detection Waveform Type and Classification

Waveform definition	Waveform	AC Type	A Type	A - SI Type	Tripping current
Sinusoidal exchange		✓	✓	✓	0.5~ 1 I _{Δn}
Pulsating half wave		✓	✓	✓	0.5~ 1.4 I _{Δn}
Pulsating Half wave + direct current (6mA)		✗	✓	✓	max1. 4I _{Δn} +6mA
Pulsating Half wave + direct current (10mA)		✗	✗	✓	max1. 4I _{Δn} +10mA
High frequency (up to 1 KHz)		✗	✗	✗	150Hz, 0.5~ 2.4 I _{Δn}
		✗	✗	✗	400Hz, 0.5~ 6 I _{Δn}
		✗	✗	✗	1000Hz, 1~ 14 I _{Δn}
Two phase rectified full wave		✗	✗	✗	0.5~ 2 I _{Δn}
Three phase rectified full wave					
Direct current					

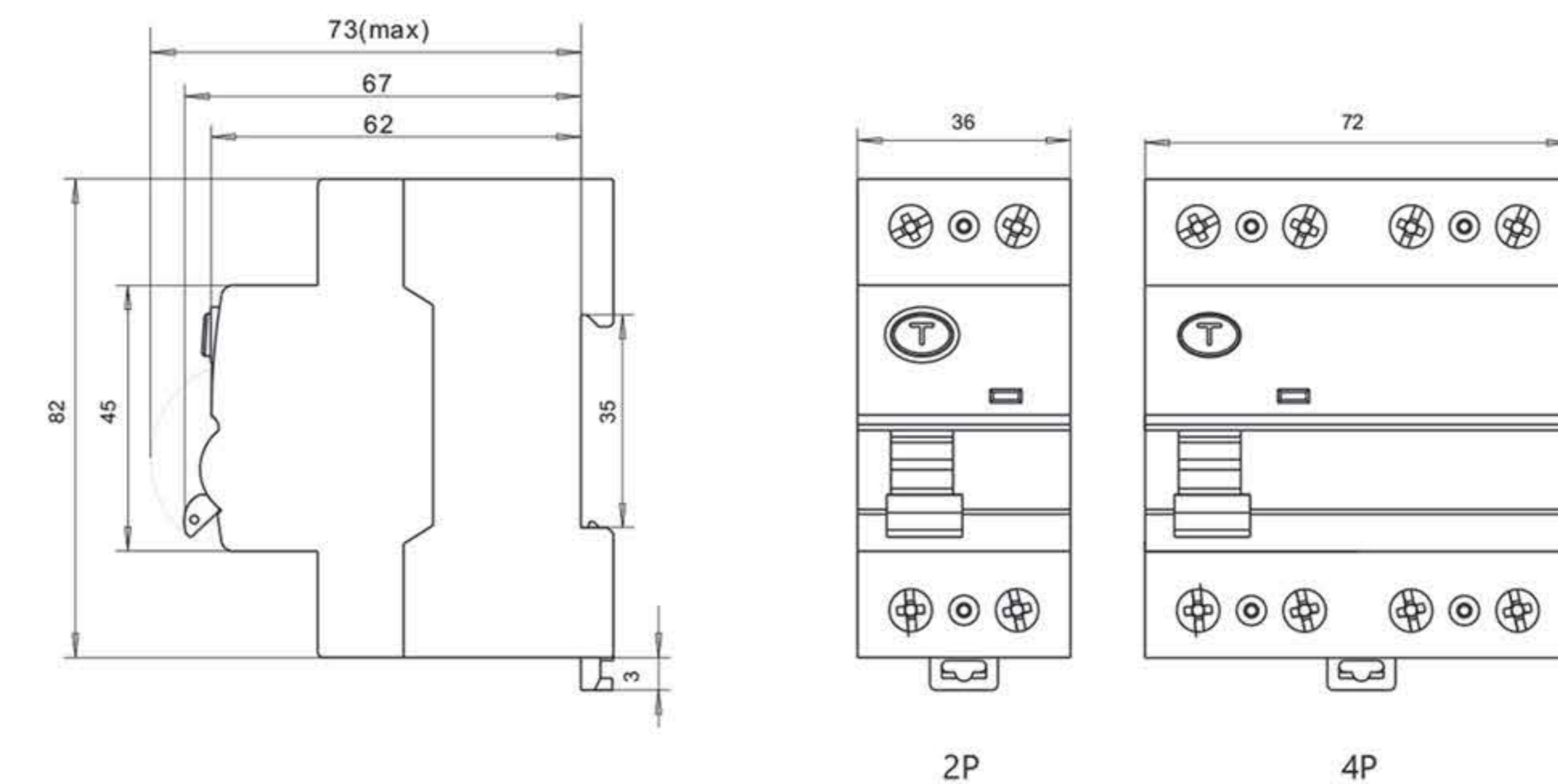
Technical Data

Electrical Features	
Residual current protection on type	Electromagnetic/Electronic
Residual current working type	AC, A , A-SI
Rated current	25, 40, 63, 80, 100A
Poles	2P 4P
Rated voltage U _e	2P:230V ~ 4P:400V ~
Insulation voltage U _i	500V
Rated frequency	50/60Hz
Rated sensitivity I _{Δn}	0.01A 0.03A 0.1A 0.3A
Short - circuit current I _{nc} = I _{Δc}	6000A
SCPD fuse	6000
Break time under I _{Δn}	≤0. 1S
Rated impulse withstand voltage(1.2/50)U _{imp}	6000V
Dielectric test voltage at and ind.freq.for 1 min	2.5KV
Electical life and Mechanical life	4000
Pollution degree	2
Installation	
Fault current indicator	NO
P rotection class	IP20
Ambient temperature(with daily average≤ 35°c)	-5~+40°C
Storage temperature	-25+70°C
Terminal connection type	Cable/U-type busbar/Pin -type busbar
Terminal size top/ bottom for cable	35mm ² 18-3
Tightening torque	3.5 N*m 22
Mounting	On DIN rail FN 60715 (35mm) by means of fast clip device
Connection	From top and bottom

Connection

Rated current	Nominal Section Area of Copper Wire (mm ²)
1~6A	1
10A	1.5
16, 20A	2.5
25A	4
32A	6
40, 50A	10
63A	16
80A	25
100A	35

Mounting & Dimension





ISWITCH voltage/current protector relay is mainly used for protecting circuit because of instable voltage. It provided many functions such as over voltage, under voltage and over load protection. When the circuit have voltage and over load failure, the product can cut the load output within set time to protect the electrical product. When the circuit returns to normal and the protector will recover the output, the protector data of product is adjustable. The product meets with the standard JB/T 12762-2015. The product adopt power module to supply the power, It is stable and safety and can improve the performance of lightning protector and EMC.

Features:

- Micro controller based
- Digital display for voltage and current
- Protect electrical device against over under voltage, over current, 1/3 P symmetry & incorrect phase sequence
- Voltage accuracy= %1
- Parameter setting by keys
- LED indicators for different faults
- 5 Modules 90mm width

Safety Notes:

- Must be installed by a qualified person
- Disconnect all power before working on the device
- Don't touch any terminals when the power is on
- Verify correct terminal connection when wiring
- Don't dismantle or repair the device whe ther it operates normally, otherwise no responsibility is assumed by producer & seller
- No invaded by corrode gas, strong sunshine light and rain. ■ Clean the device with a dry cloth.
- Fail to follow the instructions will result in serious injury or death



Intelligent Voltage-Current Protector 1P/3P



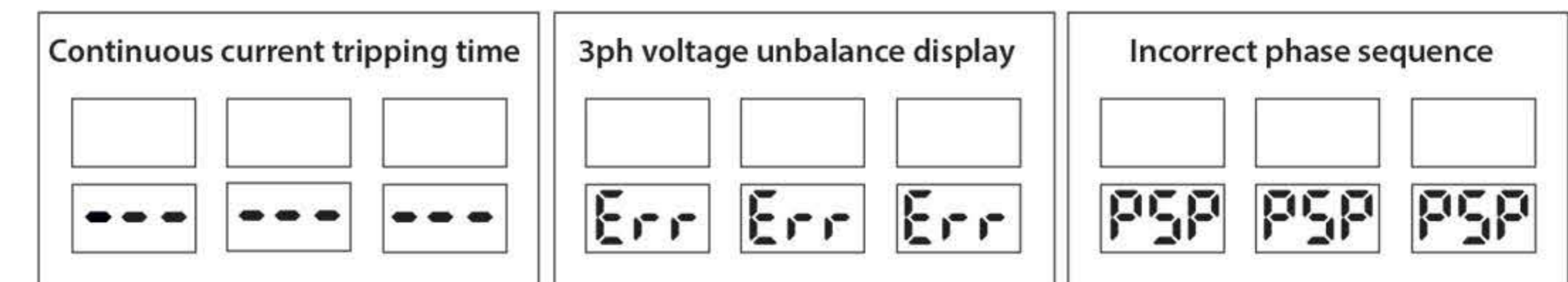
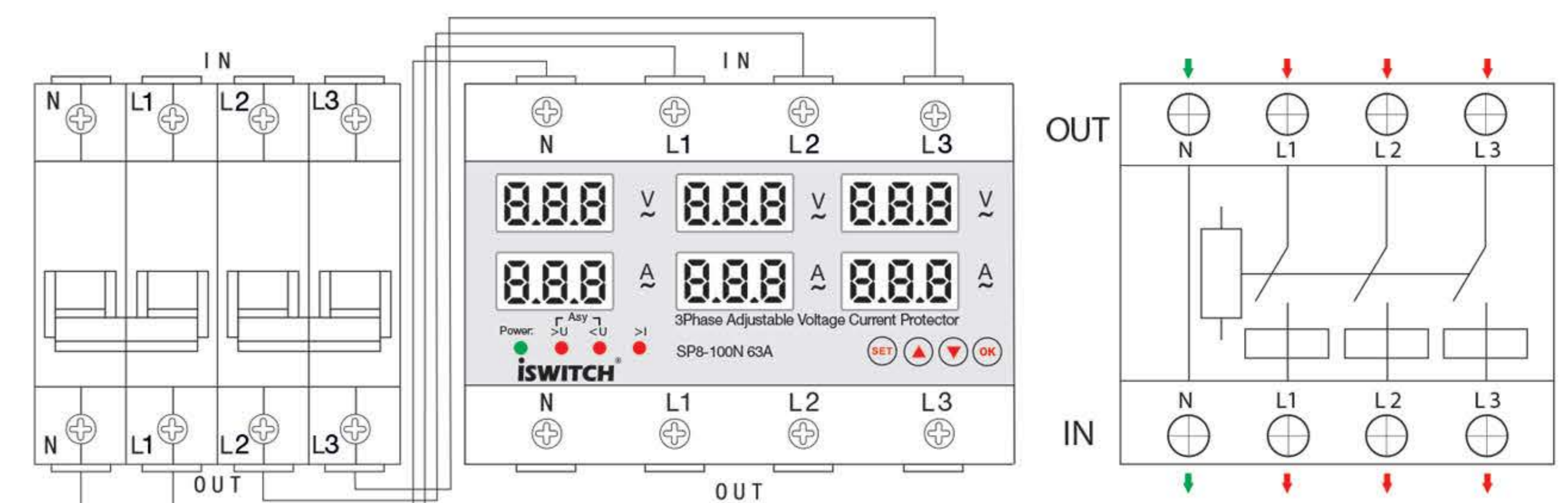
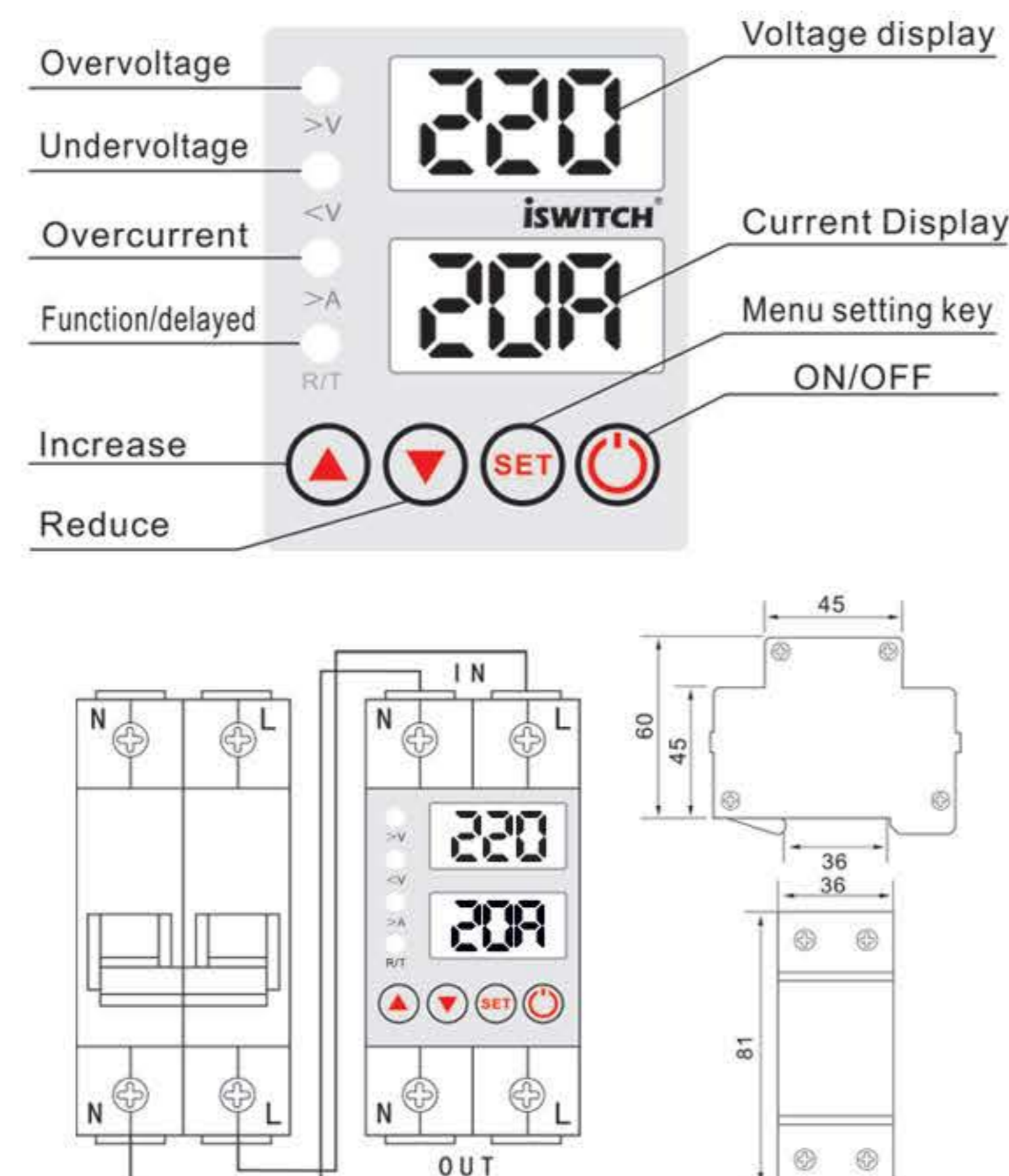
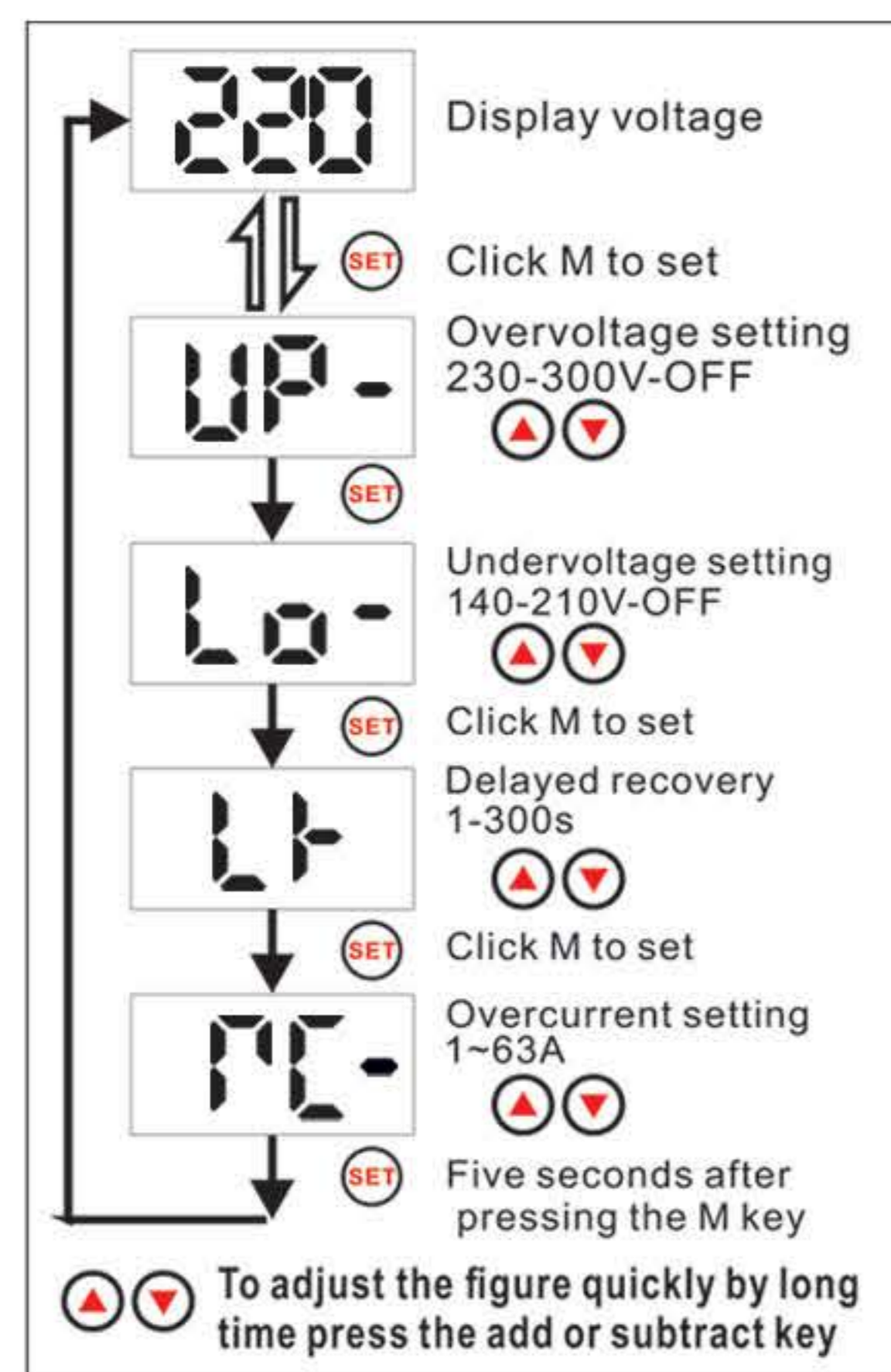
Technical Data

1P	
Model	ISVAP-1
Rated supply voltage	220VAC
Rated frequency	50/60 Hz
Electric current(>A) setting range	1-63A
Consumption power	2W≤
Mechanic and Electrical life	10 ⁵ -10 ⁶
Reset/start delay	1-300S
Operation voltage range	80V-400VAC
Voltage measurement accuracy	1%
Overvoltage(>U) setting range	230-300V
Undervoltage (<U) setting range	120-210V
>U and < U trip delay	0.5 S
Rated insulation voltage	400 V
Output contact	1 NO
Operatintg temperature	-50 ~ +55 °C
Pollution degree	IP20
Rail	
Standard No	EN61000-3-2: 2019/2013 / JB/T 12762-2015



Technical Data

3P	
Model	ISVAP-3
Rated supply voltage	380VAC
Rated frequency	50/60 Hz
Electric current(>A) setting range	1-63A
Consumption power	2W≤
Mechanic and Electrical life	105-106
Reset/start delay	1-500S
Operation voltage range	140V-500VAC
Voltage measurement accuracy	1%
Overvoltage(>U) setting range	390-500V
Undervoltage (<U) setting range	140-370V
>U and < U trip delay	0.5 S
Rated insulation voltage	400 V
Output contact	3 NO
Operatintg temperature	-50 ~ +55 °C
Pollution degree	IP20
Rail	
Standard No	EN61000-3-2: 2019/2013 / JB/T 12762-2015



The terminals are used to finish the connection to thousands of different electrical installations. They are very versatile and come in many styles to suit many applications. They are made of copper (economy versions use brass) and they are tin-plated to prevent corrosion.

- PVC insulated terminals are the most common. The barrel of the terminal is insulated with PVC plastic to protect against short circuits.
- The PVC and the copper barrel are crimped once to fix the terminal to the bare wire.

Cord End Terminals



Item No	F	L	W	Dφ	Cφ	A.W.G	Lead Section	Color
E 0206	6.0	10.5	2.5	1.0	0.7	#26	0.25	Light Blue
E 0208	8.0	12.5						
E 0306	6.0	10.5	2.5	1.1	0.8	#24	0.34	Light Green
E 0308	8.0	12.5						
E 0506	6.0	12.0	2.6	1.3	1.0	#22	0.5	Orange
E 0508	8.0	14.0						
E 0510	10.0	16.0						White
E 0512	12.0	18.0						
E 7506	6.0	12.4	2.8	1.6	1.3	#20	0.75	White
E 7508	8.0	14.6						
E 7510	10.0	16.4						Blue
E 7512	12.0	18.4						
E 1006	6.0	12.4	3.0	1.8	1.5	#18	1.0	Yellow
E 1008	8.0	14.6						
E 1010	10.0	16.4						Red
E 1012	12.0	18.4						
E 1508	6.0	14.6	3.5	2.1	1.8	#16	1.5	Red
E 1510	8.0	16.4						
E 1512	10.0	18.4						Black
E 1518	12.0	24.4						
E 2508	8.0	15.2	4.0	2.6	2.3	#14	2.5	Blue
E 2510	10.0	17.2						
E 2512	12.0	19.2						Grey
E 2518	18.0	25.2						
E 4009	9.0	16.5	4.4	3.2	2.8	#12	4.0	Gray
E 4010	10	16.5						Orange
E 4012	12.0	19.5						
E 4018		25.5						
E 6010	10.0	18.0	6.3	3.9	3.5	#10	6.0	Black
E 6012	12.0	20.0						Green
E 6018	18.0	26.0						
E 10-12	12.0	21.5	7.6	4.9	4.5	#7	10.0	roy
E 10-18	18.0	27.5						Brown
E 16-12	12.0	22.2	8.8	6.2	5.8	#5	16.0	Green
E 16-18	18.0	28.2						Iroy

The Terminal Series



Item No	F	L	W	DΦ	CΦ	A.W.G	Lead Section	Color
E25-16	16.0	29.0	11.2	7.9	7.5	#4	25.0	Brown
E25-22	22.0	35.0						Black
E35-16	16.0	30.0	12.7	8.7	8.3	#2	35.0	Gray
E35-25	25.0	39.0						Olive
E50-20	20.0	36.0	15.3	10.9	10.3	#1	50.0	
E50-25	25.0	41.0						Yellow
E70-20	20.0	37.0	16.0	14.3	13.5	2/0	70	
E70-25	25.0	42.0						Red
E70-27	27.0	44.0						Blue
E95-25	25.0	44.0	18.5	15.3	14.5	3/0	95	
E120-27	27.0	47.6	20.3	17.5	16.5	4/0	120	
E120-32	32.0	52.6						Yellow
E150-25	25.0	50.6	23.4	20.6	19.6	250/300	150	
E150-27	27.0	52.6						
E150-32	32.0	57.6						

Twin Cord End Terminals



Item No	F	L	W	B	DΦ	CΦ	Lead Section	Color
TE0508	8.0	14.5	5.0	6.5	1.8	1.5	2x0.5	White
TE7508	8.0	14.7	5.5	6.7	2.1	1.8	2x0.75	Blue
TE7510	10.0	16.7	5.5	6.7	2.1	1.8	2x0.75	Gray
TE1008	8.0	15.1	5.5	7.1	2.3	2.0	2x1.0	Red
TE1010	10.0	17.1	5.5	7.1	2.3	2.0	2x1.0	Black
TE1508	8.0	15.5	6.4	7.2	2.6	2.3	2x1.5	Yellow
TE1512	12.0	19.5	6.4	7.2	2.6	2.3	2x1.5	Gray
TE2510	10.0	18.5	8.0	8.5	3.3	2.9	2x2.5	Blue
TE2513	13.0	21.5	8.0	8.5	3.3	2.9	2x2.5	Orange
TE4012	12.0	23.1	8.8	11.1	4.2	3.8	2x4.0	Green
TE6014	14.0	26.1	9.5	12.1	5.3	4.9	2x6.0	Brown
TE10-14	14.0	26.6	12.6	12.0	6.9	6.5	2x10.0	
TE16-14	14.0	31.3	19.0	17.3	8.7	8.3	2x16.0	Iroy

Non-insulating Cord End Terminals



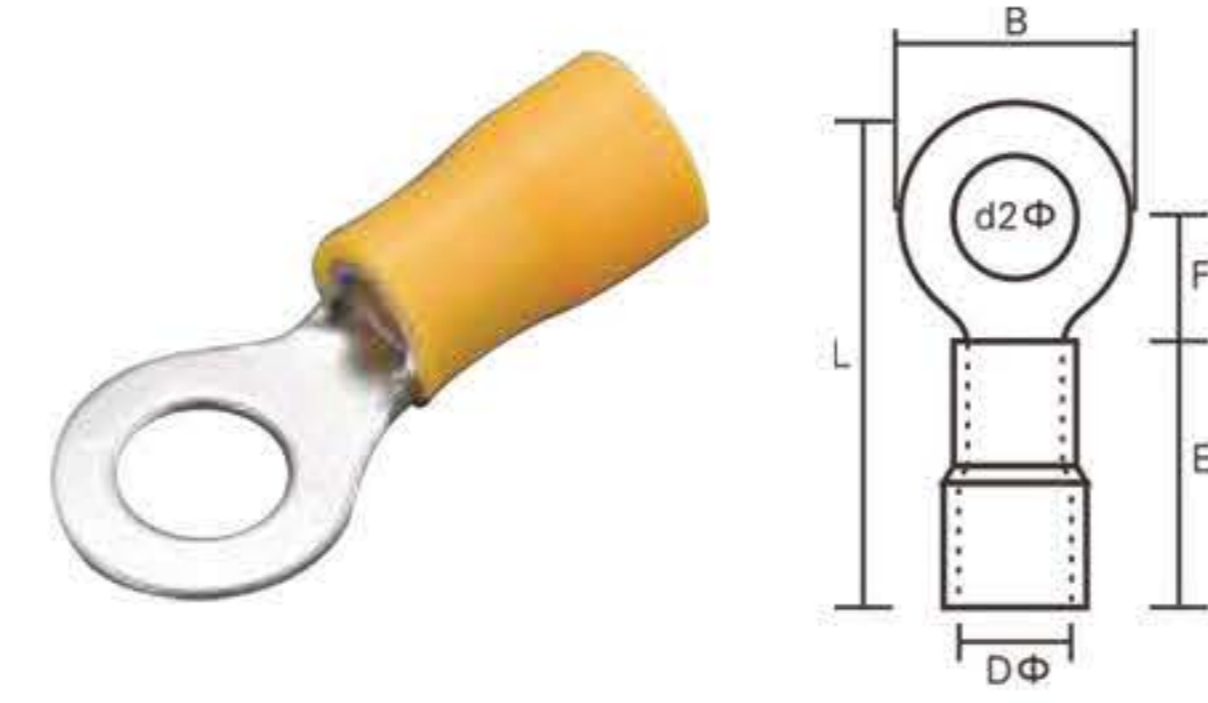
Item No	L	W	DΦ	CΦ	A.W.G	Lead Section
EN0206	6.0	1.4	1.0	0.7	#26	0.2
EN0207	7.0					
EN0208	8.0					
EN0306	6.0	1.5	1.1	0.8	#24	0.3
EN0308	8.0					
EN0505	5.0	1.7	1.3	1	#22	0.5
EN0506	6.0					
EN0508	8.0					
EN0510	10.0					
EN0512	12.0					
EN7506	6.0	1.9	1.6	1.3	#20	0.75
EN7508	8.0					
EN7510	10.0					
EN7512	12.0					
EN1006	6.0	2.2	1.8	1.5	#18	1.0
EN1008	8.0					
EN1010	10.0					
EN1012	12.0					
EN1507	7.0	2.5	2.1	1.8	#16	1.5
EN1508	8.0					
EN1510	10.0					
EN1512	12.0					
EN1518	18.0					
EN2507	7.0	3.3	2.6	2.3	#14	2.5
EN2508	8.0					
EN2510	10.0					
EN2512	12.0					
EN2518	18.0					
EN4009	9.0	3.9	3.2	2.8	#12	4.0
EN4012	12.0					
EN4018	18.0					

Item No	L	W	DΦ	CΦ	A.W.G	Lead Section
EN6010	10.0	4.8	3.9	3.5	#10	6.0
EN6012	12.0					
EN6015	15.0					
EN6018	18.0	5.8	4.9	4.5	#7	10.0
EN10-12	12.0					
EN10-15	15.0					
EN10-18	18.0	7.2	6.2	5.8	#5	16.0
EN16-12	12.0					
EN16-15	15.0					
EN16-18	18.0					
EN25-16	16.0	9.1	7.9	7.5	#4	25.0
EN25-22	22.0					
EN35-16	16.0	10.2	8.7	8.3	#2	35.0
EN35-25	25.0					
EN50-20	20.0	12.4	10.9	10.3	#1	50.0
EN50-25	25.0					
EN50-30	30.0	12.7	10.9	10.3	1/0	50.0
EN50-32	32.0					
EN70-22	22.0	15.8	14.3	13.5	2/0	70.0
EN70-25	25.0					
EN70-30	30.0					
EN70-32	32.0					
EN95-25	25.0	17.3	15.3	14.5	3/0	95
EN95-30	30.0					
EN95-32	32.0					
EN95-34	34.0					
EN120-30	30.0	20.2	17.5	16.5	4/0	120
EN120-32	32.0					
EN120-34	34.0					
EN120-38	38.0					
EN120-40	40.0					
EN150-32	32.0	23.0	20.6	19.6	250/300	150
EN150-34	34.0					
EN150-38	38.0					
EN150-40	40.0					
EN185-32	32.0	23.9	21.4	20.2	250/300	185
EN185-40	40.0					

The Terminal Series

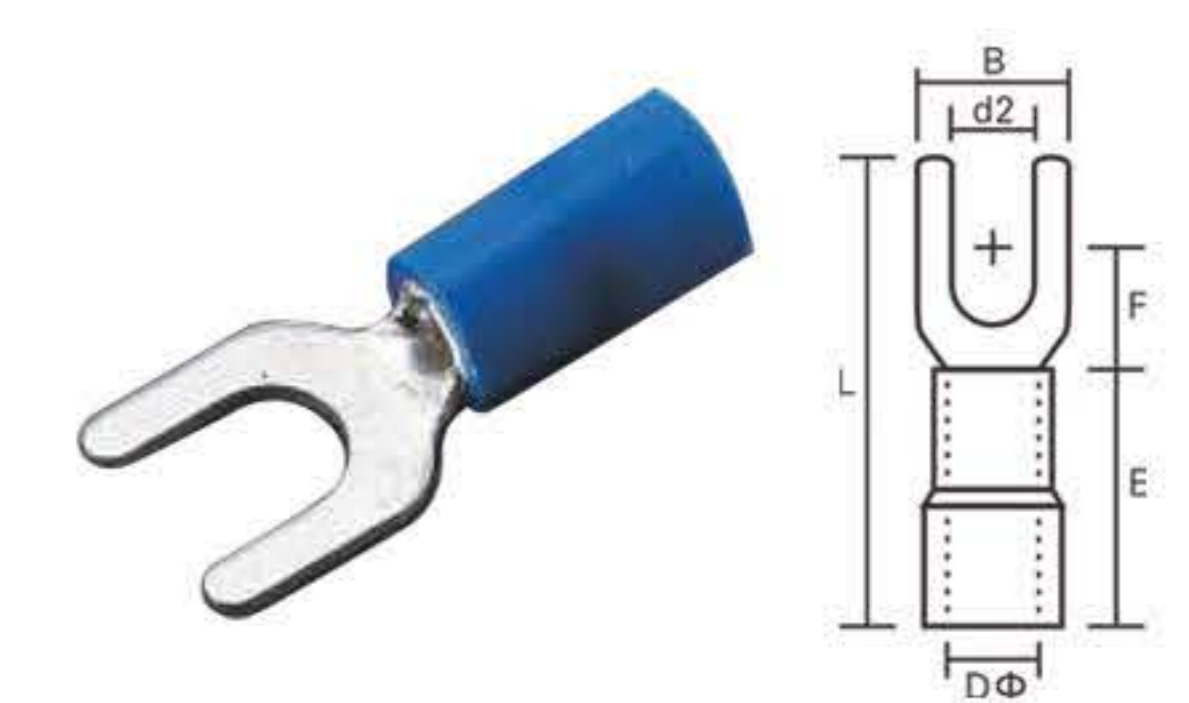


Pre-insulated Ring Terminals



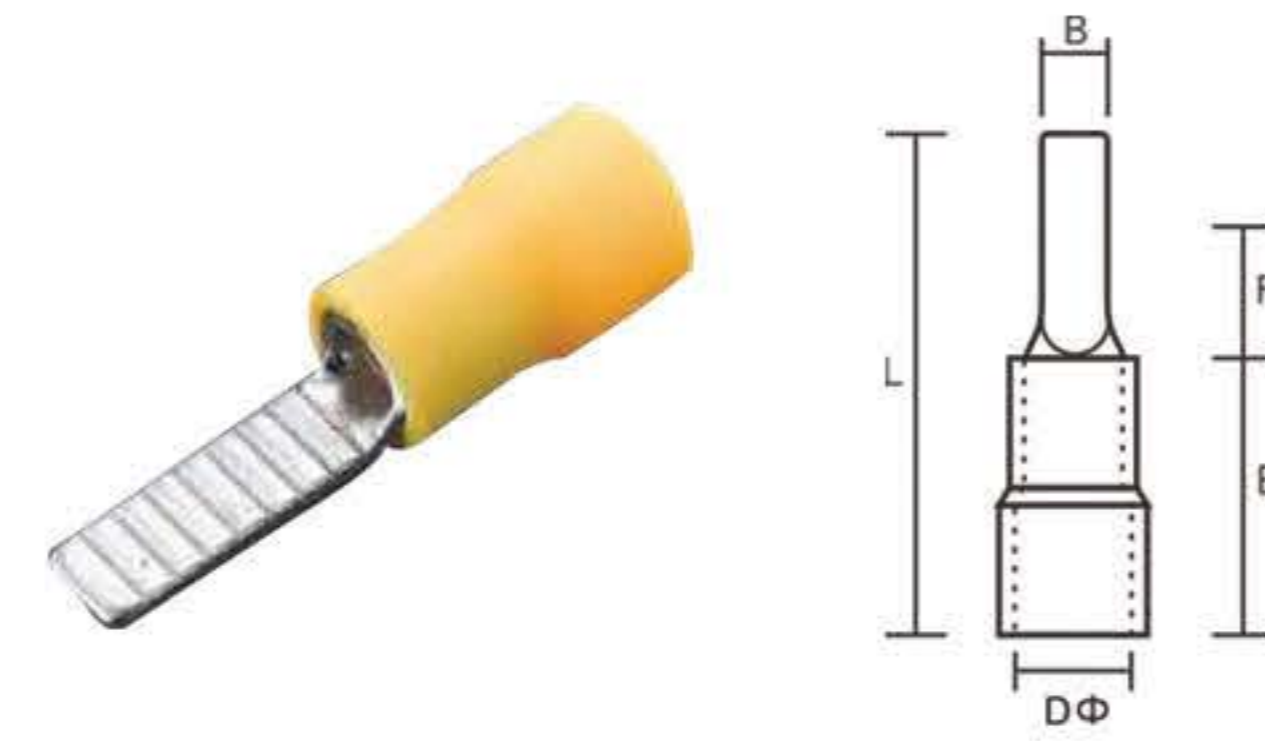
Item No	USA Bole No.	Bolt dia d2(mm)	B	F	L	E	DΦ	Color
RV1.25-3	#4	3.2	5.7	4.95	17.8	10.0	4.3	Red
RV1.25-3.5S	#6	3.7	5.7	4.95	17.8			
RV1.25-3.5M	#6	3.7	6.6	6.3	19.6			
RV1.25-3.5L	#6	3.7	8.0	7.0	21.0			
RV1.25-4S	#8	4.3	6.6	6.3	19.6			
RV1.25-4L	#8	4.3	8.0	7.0	21.0			
RV1.25-5S	#10	5.3	8.0	7.0	21.0			
RV1.25-5L	#10	5.3	9.5	8.5	22.2			
RV1.25-6S	1/4	6.5	9.5	8.5	22.2			
RV1.25-6L	1/4	6.5	11.6	11.1	27.0			
RV1.25-8	5/16	8.5	11.6	11.1	27.0			
RV1.25-10	3/8	10.5	13.6	13.9	30.7			
RV1.25-12	1/2	13.0	19.2	16.0	35.6			
RV2-3	#4	3.2	6.6	4.8	17.8	10.0	4.9	Blue
RV2-3.5S	#6	3.7	6.6	4.8	17.8			
RV2-3.5M	#6	3.7	6.6	7.0	21.0			
RV2-3.5L	#6	3.7	8.5	7.4	21.7			
RV2-4S	#8	4.3	6.6	6.3	19.7			
RV2-4L	#8	4.3	8.5	7.4	21.7			
RV2-5S	#10	5.3	8.5	7.4	21.7			
RV2-5L	#10	5.3	9.5	7.4	22.5			
RV2-6S	1/4	6.5	9.5	7.4	22.5			
RV2-6L	1/4	6.5	12.0	11.0	27.0			
RV2-8	5/16	8.5	12.0	11.0	27.0			
RV2-10	3/8	10.5	13.6	13.9	30.7			
RV2-12	1/2	13.0	19.2	16.0	35.6			
RV3.5-4	#8	4.3	8.0	8.0	25.0	13.0	6.3	Black
RV3.5-5S	#10	5.3	8.0	8.0	25.0			
RV3.5-5L	#10	5.3	12.0	9.4	28.4			
RV3.5-6	1/4	6.5	12.0	9.4	28.4			
RV3.5-8	5/16	8.5	15.0	13.5	34.0			
RV3.5-10	3/8	10.5	15.0	13.5	34.0			
RV5.5-3.5	#6	3.7	7.2	6.1	22.7	13.0	6.7	Yellow
RV5.5-4S	#8	4.3	7.2	6.1	22.7			
RV5.5-4L	#8	4.3	9.5	8.3	26.0			
RV5.5-5	#10	5.3	9.5	8.3	26.0			
RV5.5-6	1/4	6.5	12.0	10.5	29.5			
RV5.5-8	5/16	8.5	15.0	13.7	35.0			
RV5.5-10	3/8	10.5	15.0	13.7	35.0			
RV5.5-12	1/2	13.0	19.2	16.0	39.4			

Pre-insulated Fork Terminals



Item No	USA Bole No.	Bolt dia d2(mm)	B	F	L	H	DΦ	Color
SV1.25-3	#4	3.2	5.7	6.5	21.2	10.0	4.3	Red
SV1.25-3.5S	#6	3.7	5.7	6.5	21.2			
SV1.25-3.5L	#6	3.7	6.4	6.5	21.2			
SV1.25-4S	#8	4.3	6.4	6.5	21.2			
SV1.25-4M	#8	4.3	7.2	6.5	21.2			
SV1.25-4L	#8	4.3	8.1	6.5	21.2			
SV1.25-5S	#10	5.3	8.1	6.5	21.2			
SV1.25-5L	#10	5.3	9.5	6.5	21.2			
SV1.25-6S	1/4	6.5	9.5	6.5	21.2			
SV1.25-6L	1/4	6.5	12.0	11.0	27.2			
SV1.25-8	5/16	8.5	14.0	12.0	29.2			
SV2-3	#4	3.2	5.7	6.5	21.2	10.0	4.9	
SV2-3.5S	#6	3.7	5.7	6.5	21.2			
SV2-3.5L	#6	3.7	6.4	6.5	21.2			
SV2-4S	#8	4.3	6.4	6.5	21.2			
SV2-4M	#8	4.3	7.2	6.5	21.2			
SV2-4L	#8	4.3	8.1	6.5	21.2			
SV2-5S	#10	5.3	8.1	6.5	21.2			
SV2-5L	#10	5.3	9.5	6.5	21.2			
SV2-6S	1/4	6.5	9.5	6.5	21.2			
SV2-6L	1/4	6.5	12.0	11.0	27.2			
SV2-8	5/16	8.5	14.0	12.5	29.2			
SV3.5-3.5	#6	3.7	8.0	7.0	25.3	13.0	6.3	black
SV3.5-4	#8	4.3	8.0	7.0	25.3			
SV3.5-5S	#10	5.3	8.0	7.0	25.3			
SV3.5-6S	1/4	6.5	9.0	7.5	26.5			
SV3.5-6	1/4	6.5	12.0	12.1	28.5			
SV5.5-3.5	#6	3.7	8.3	7.5	26.5	13.0	6.7	yellow
SV5.5-4S	#8	4.3	8.3	7.5	26.5			
SV5.5-4L	#8	4.3	9.0	7.5	26.5			
SV5.5-5	#10	5.3	9.0	7.5	26.5			
SV5.5-6S	1/4	6.5	9.0	7.5	26.5			
SV5.5-6L	1/4	6.5	12.0	12.0	32.5			
SV5.5-8	5/16	8.5	14.0	11.5	31.5			

Pre-insulated Blade Terminals



Item No	B	F	L	E	DΦ	Color
DBV1.25-10	2.3	10.0	20.0	10.0	4.3	Red
DBV1.25-11	3.0	11.0	21.0			
DBV1.25-14	3.0	14.0	24.0			
DBV1.25-18	2.3	18.0	28.0			
DBV2-9	2.8	9.0	19.0	10.0	4.9	Blue
DBV2-10	2.8	10.0	20.0			
DBV2-14	3.0	14.0	24.0			
DBV2-18	2.3	18.0	28.0			
DBV5.5-10	2.8	10.0	23.0	13.0	6.7	yellow
DBV5.5-14	4.5	14.0	27.0			
DBV5.5-18	4.5	18.0	31.0			

How Do I Crimp The Terminals?

1. Check that tooling is clean and not worn. If necessary, clean and replace worn tooling.
2. Disconnect power to the press and remove guarding devices.
3. Install the appropriate tooling into the press.
4. Load terminals into the tooling so that the first terminal is located over the anvil.
5. Manually cycle the press to help ensure a complete cycle can be made without interference. If it cannot, remove tooling and check press shut height. Go to procedure 3.
6. Check that the tooling is aligned. Check the impression on the bottom of the crimp that was made by the anvil tooling. Check that the extrusions and crimp forms are centered. If not, align tooling and go to procedure 5.
7. Check that the terminal feed locates the next terminal over the center of the anvil tooling. If not, adjust terminal feed and feed finger and go to procedure 5.
8. Crimp sample terminals under power.
9. Evaluate cut-off tab length and conductor bellmouth. If adjustment is necessary, disconnect power to the press and remove the guard. Adjust track position. Manually cycle the press and check the feed finger for feed location, go to procedure 7.
10. Evaluate insulation position. If necessary, adjust strip length, crimp new samples, and go to procedure 11.
11. Crimp sample terminals.
12. Measure conductor crimp height and compare to specification. If necessary, disconnect power and remove the guard. Adjust conductor crimp height, install guards, connect power, and go to procedure 14.
13. Adjust insulation crimp.
14. Crimp sample terminals.
15. Measure crimp height and compare to specification. If necessary, disconnect power and remove the guard. Adjust conductor crimp height, install guards, connect power, and go to procedure 18.

The Terminal Series



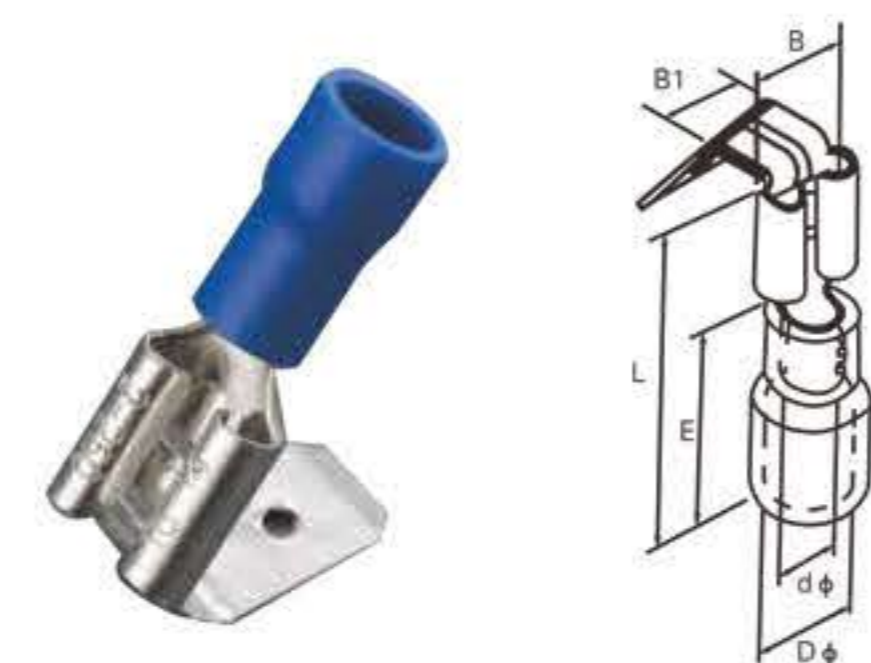
Everyday's **Solution**

Pre-insulating Female Terminals



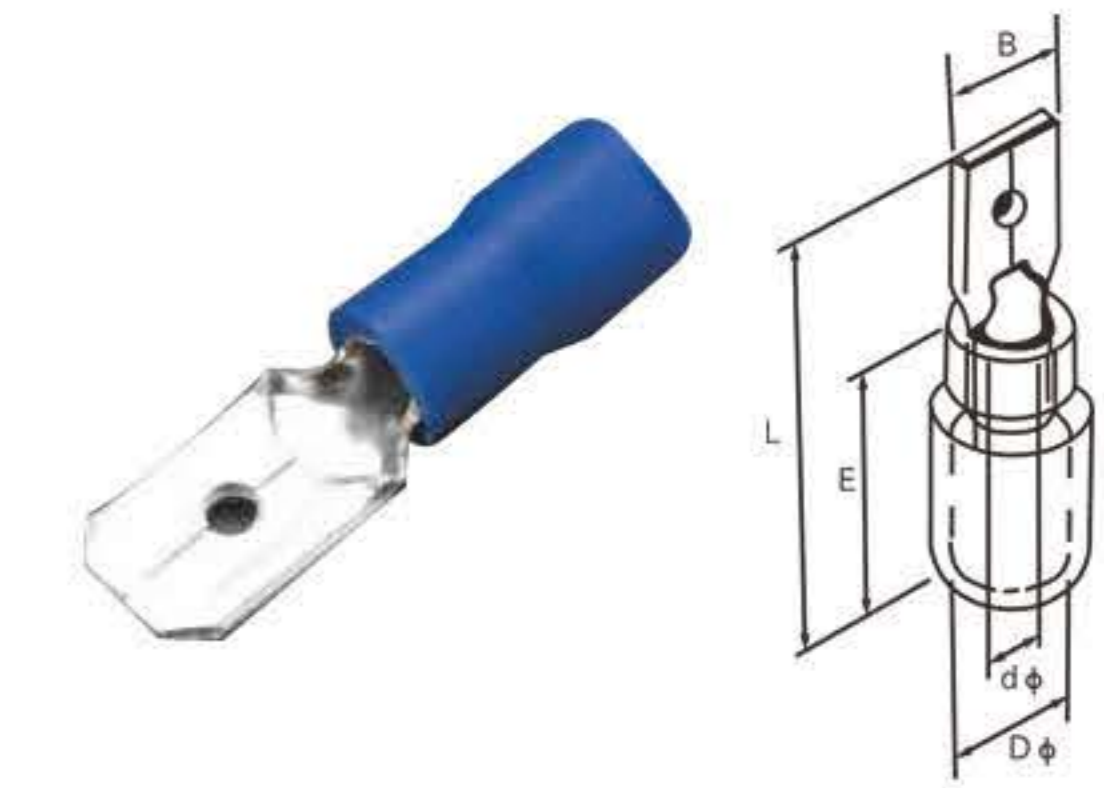
Item No	(mm)	Thickness	B	DΦ	dΦ	L	E	Color
FDD1.25-110(5)	0.5x2.8	0.3	3.3	3.8	1.7	18.5	10.0	Red
FDD1.25-110(8)	0.8x2.8	0.3	3.3	3.8	1.7	18.5		
FDD1.25-187(5)	0.5x4.75	0.35	5.0	3.8	1.7	19.0		
FDD1.25-187(8)	0.8x4.75	0.35	5.0	3.8	1.7	19.0		
FDD1.25-205	0.5x5.2	0.35	5.7	3.8	1.7	19.0		
FDD1.25-205	0.8x6.35	0.4	6.6	3.8	1.7	19.8		
FDD2-110(5)	0.5x2.8	0.3	3.3	4.3	2.3	18.5	10.0	Blue
FDD2-110(8)	0.8x2.8	0.3	3.3	4.3	2.3	18.5		
FDD2-187(5)	0.5x4.75	0.35	5.0	4.3	2.3	19.0		
FDD2-187(8)	0.8x4.75	0.35	5.0	4.3	2.3	19.0		
FDD2-205	0.5x5.5	0.35	5.7	4.3	2.3	19.0		
FDD2-250	0.8x6.35	0.4	6.6	4.3	2.3	19.0		
FDD2-312	0.8x8.0	0.4	8.2	4.3	2.3	23.7		Yellow
FDD5.5-187x5	0.5x4.75	0.4	5.0	5.7	3.4	22.0	12.5	
FDD5.5-187x8	0.8x4.75	0.4	5.0	5.7	3.4	22.0		
FDD5.5-250	0.8x6.35	0.4	6.6	5.7	3.4	23.4		
FDD5.5-375	1.2x9.4	0.5	9.9	5.7	3.4	29.6		

Pre-insulating Piggy Back Male Female Terminals



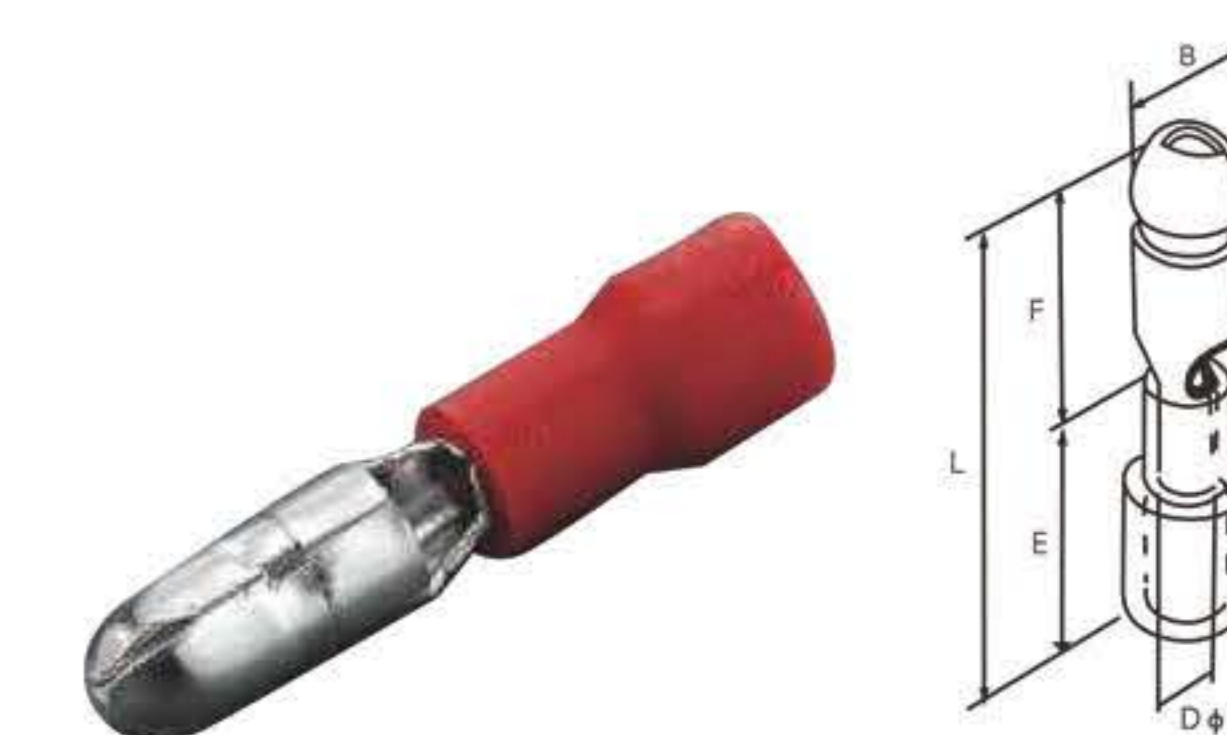
Item No	(mm)	B	B1	E	DΦ	dΦ	L	Color
PBDD1.25-250	0.8x6.35	6.6	6.35	10.0	3.8	1.7	22.5	Red
PBDD2-250	0.8x6.35	6.6	6.35	10.0	4.3	2.3	22.5	Blue
PBDD5.5-250	0.8x6.35	6.6	6.35	13.0	5.7	3.4	24.0	Yellow

Pre-insulating Male Terminals



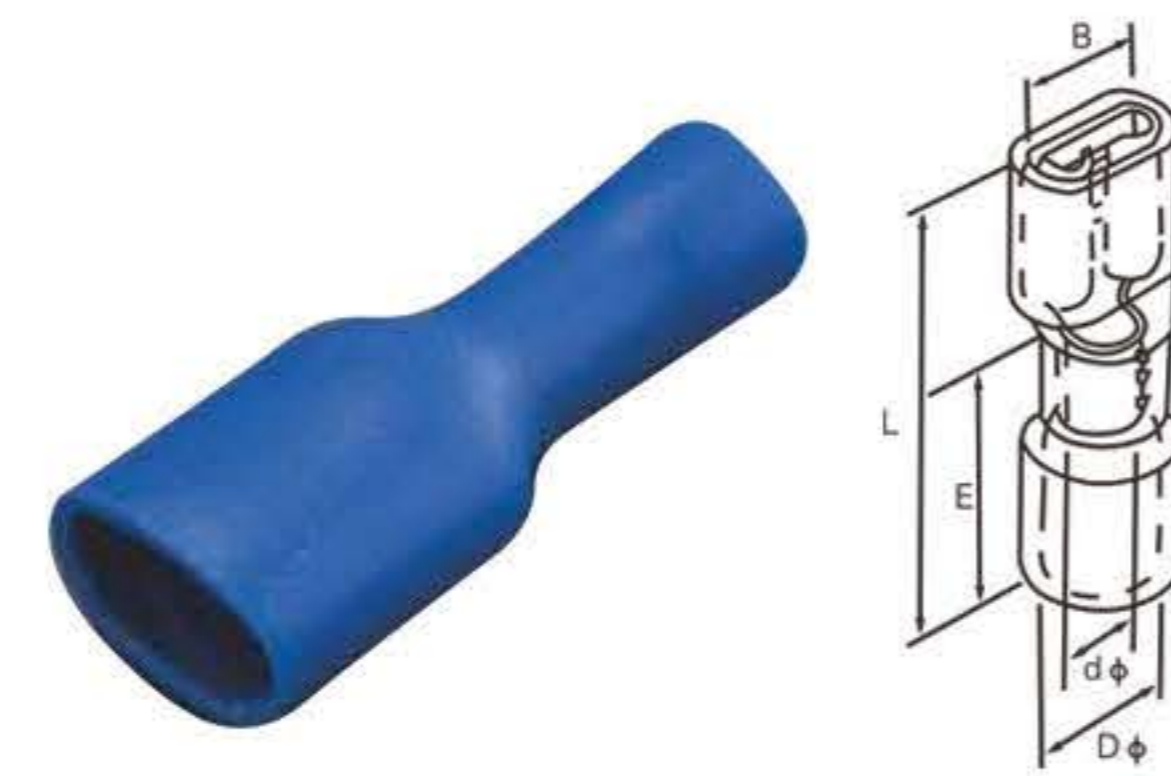
Item No	(mm)	Thickness	B	dΦ	DΦ	L	E	Color
MDD1.25-110(5)	0.5x2.8	0.5	2.8	1.7	3.8	17.7	10.0	Red
MDD1.25-110(8)	0.8x2.8	0.8	2.8	1.7	3.8	17.7		
MDD1.25-187(5)	0.5x4.75	0.5	4.8	1.7	3.8	20.0		
MDD1.25-187(8)	0.4x4.75	0.4x2	4.8	1.7	3.8	20.0		
MDD1.25-250	0.8x6.35	0.4x2	6.4	1.7	3.8	21.0		
MDD2-110(5)	0.5x2.8	0.5	2.8	2.3	4.3	17.7	10.0	
MDD2-110(8)	0.8x2.8	0.8	2.8	2.3	4.3	17.7		
MDD2-187(5)	0.5x4.75	0.5	4.8	2.3	4.3	20.0		
MDD2-187(8)	0.4x4.75	0.4x2	4.8	2.3	4.3	20.0		
MDD2-250	0.8x6.35	0.4x2	6.4	2.3	4.3	21.0		
MDD5.5-187	0.5x4.75	0.5	4.8	3.4	5.7	22.0	12.5	Yellow
MDD5.5-250	0.8x6.35	0.4x2	6.4	3.4	5.7	23.0		

Pre-insulating Bullet Male Terminals



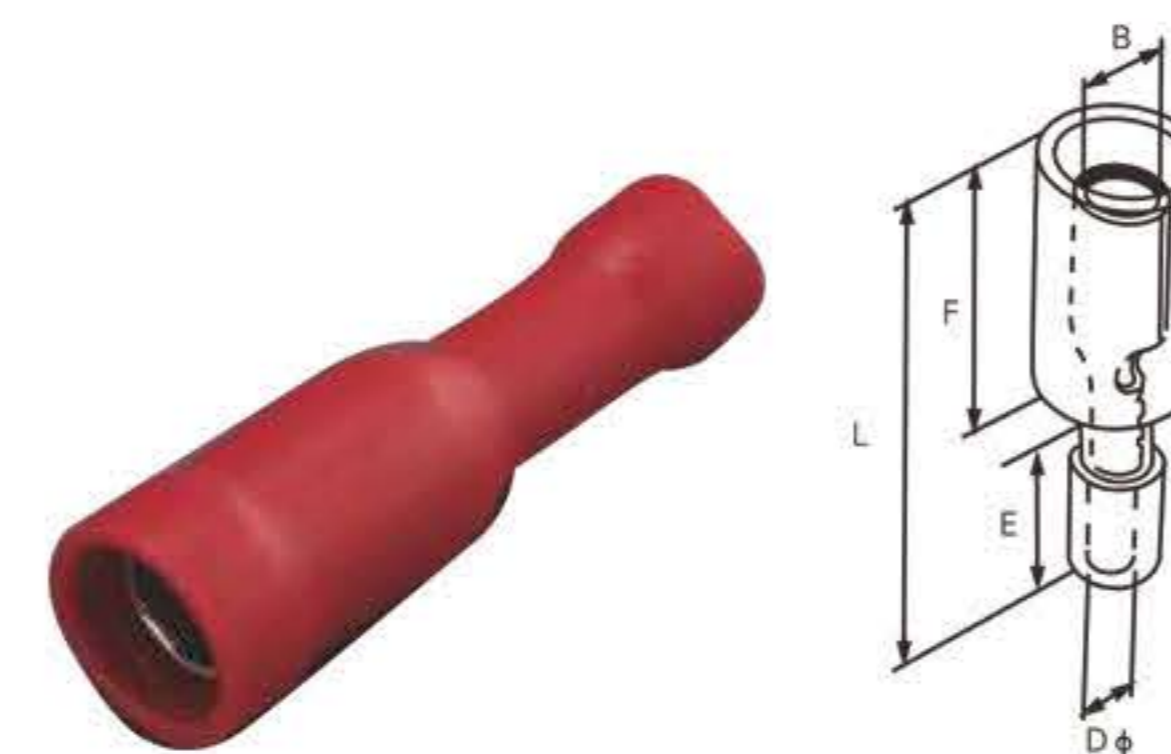
Item No	Thickness	B	F	DΦ	E	L	Color
MPD 1.25-156	0.4	4.0	8.5	1.7	10.5	21.5	Red
MPD 2-156	0.4	4.0	8.5	2.3	10.5	21.7	Blue
MPD 2-195	0.4	5.0	8.5	2.3	10.5	21.7	Blue
MPD 25.5-156	0.4	4.0	8.5	3.4	13.0	24.0	Yellow
MPD 5.5-195	0.4	5.0	8.5	3.4	13.0	24.0	

Full-insulating Female Terminals



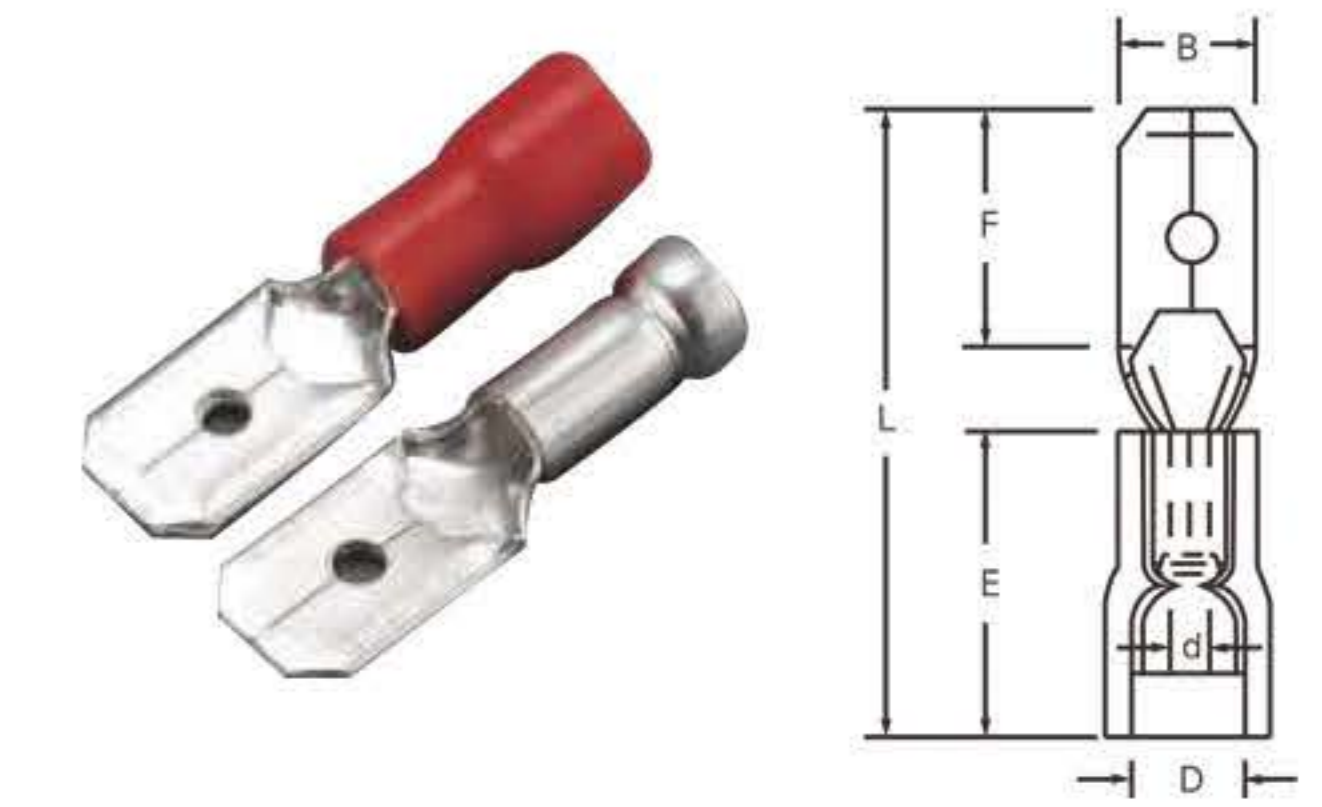
Item No	(mm)	Thickness	B	DΦ	dΦ	L	E	Color
FDFD1.25-110(5)	0.5x2.8	0.3	3.3	3.8	1.7	20.0	10.0	Red
FDFD1.25-110(8)	0.8x2.8	0.3	3.3	3.8	1.7	20.0		
FDFD1.25-187(5)	0.5x4.75	0.35	5.0	3.8	1.7	20.5		
FDFD1.25-187(8)	0.8x4.75	0.35	5.0	3.8	1.7	20.5		
FDF1.25-250	0.8x6.35	0.4	6.6	3.8	1.7	22.4		Blue
FDFD2-110(5)	0.5x2.8	0.3	3.3	4.3	2.3	20.0	10.0	
FDFD2-110(8)	0.8x2.8	0.3	3.3	4.3	2.3	20.0		
FDFD2-187(5)	0.8x4.75	0.35	5.0	4.3	2.3	20.5		
FDFD2-187(8)	0.8x4.75	0.35	5.0	4.3	2.3	20.5		Yellow
FDFD2-250	0.8x6.35	0.4	6.6	4.3	2.3	22.7		
FDFD5.5-187x5	0.5x4.75	0.4	5.0	5.7	3.4	23.0	12.5	
FDFD5.5-187x8	0.8x4.75	0.4	5.0	5.7	3.4	23.0		
FDFD5.5-250	0.8x6.35	0.4	6.6	5.7	3.4	23.0		Yellow
FDFD5.5-375	1.2x9.4	0.5	9.9	5.7	3.4	28.5		

Full-insulating Bullet Female Terminals



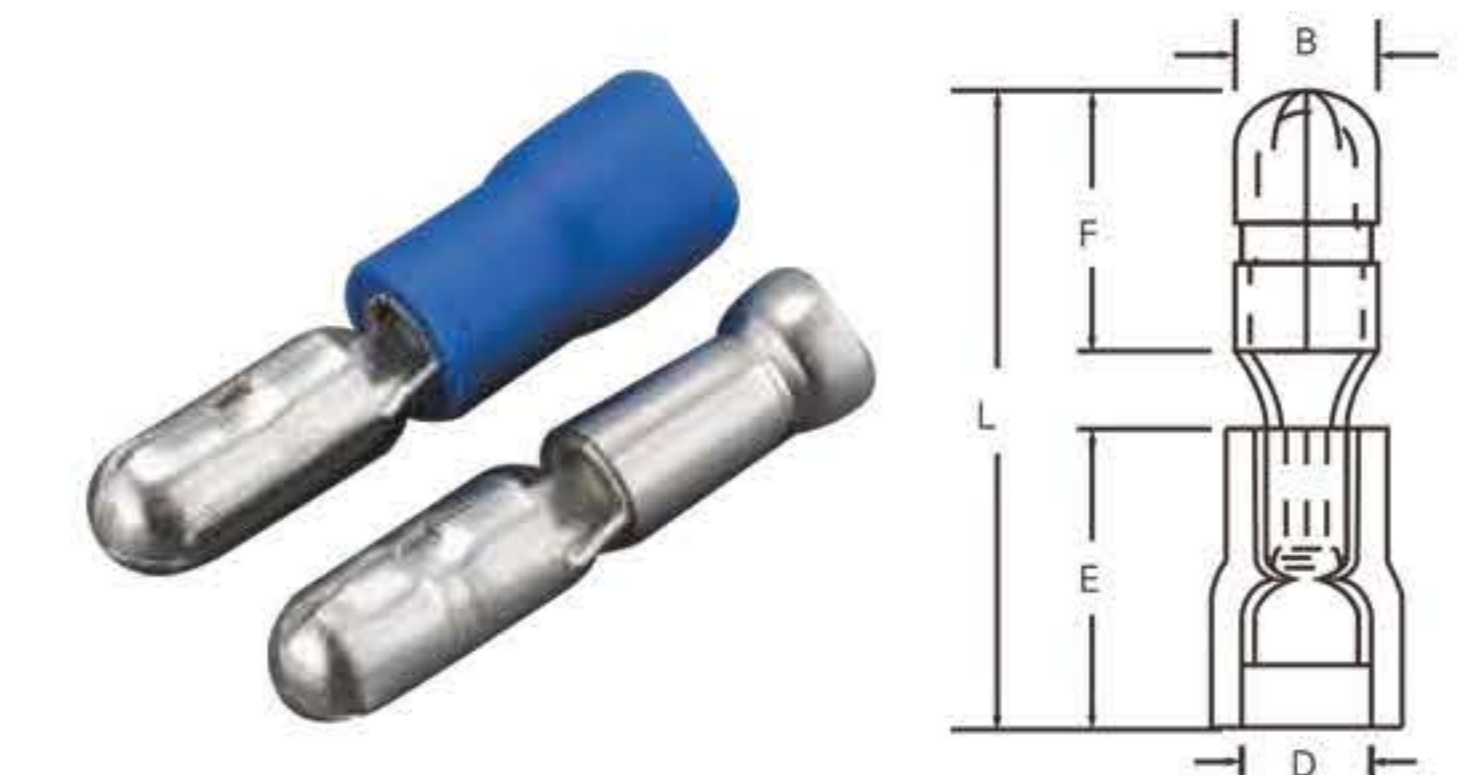
Item No	Thickness	B	F	DΦ	E	L	Color
FRD 1.25-156	0.4	4.0	7.0	1.7	10.5	23.3	Red
FRD 2-156	0.4	4.0	7.0	2.3	10.5	23.3	Blue
FRD 2-195	0.4	5.0	7.0	2.3	10.5	25.1	
FRD 25.5-156	0.4	4.0	7.0	3.4	12.5	25.1	Yellow
FRD 5.5-195	0.4	5.0	7.0	3.4	12.5	25.1	

Double Crimp Male Terminals



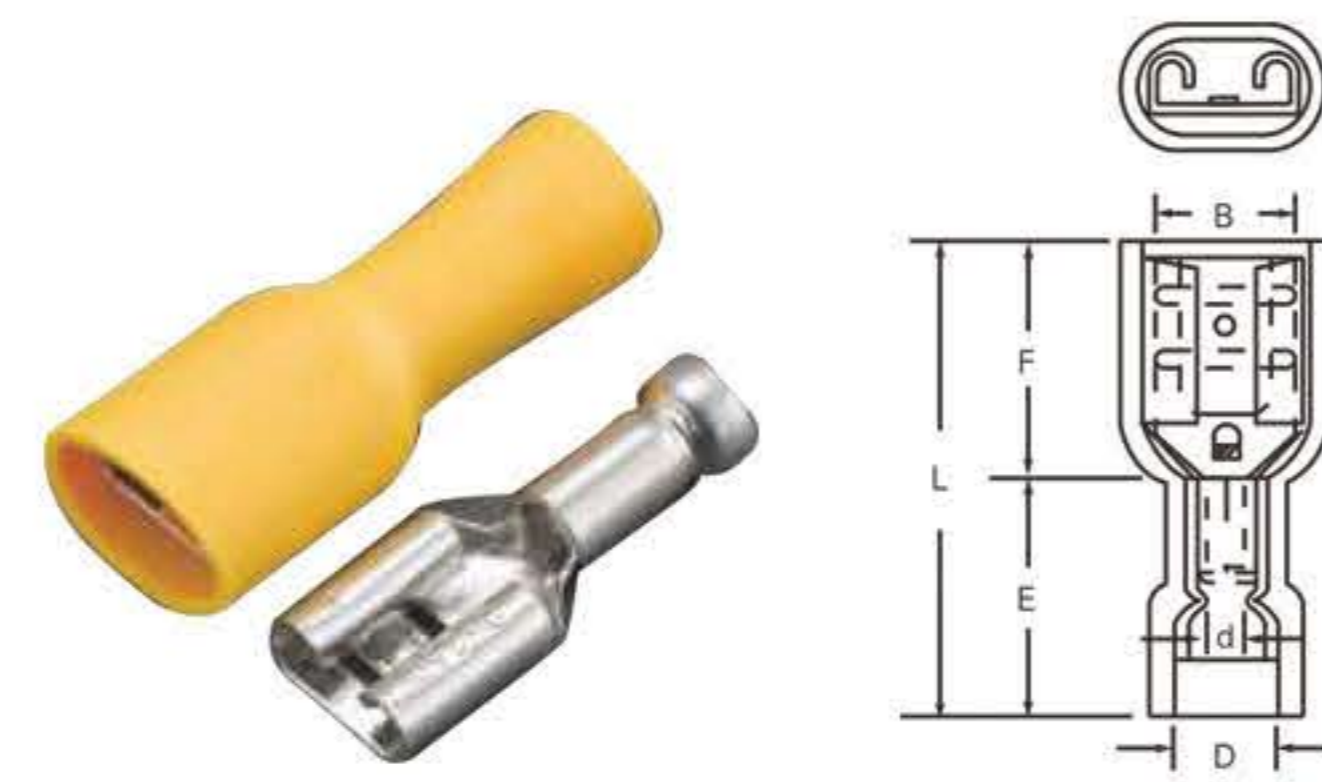
Item No	(mm)	Thickness	B	dΦ	DΦ	L	E	Color
MDDN1.25-110(5)	0.5x2.8	0.5	2.8	1.7	3.8	18.2	10.5	Red
MDDN1.25-110(8)	0.8x2.8	0.8	2.8	1.7	3.8	18.2		
MDDN1.25-187(5)	0.5x4.75	0.5	4.75	1.7	3.8	20.5		
MDDN1.25-187(8)	0.4x4.75	0.4x2	4.75	1.7	3.8	20.5		
MDDN1.25-250	0.8x6.35	0.4x2	6.35	1.7	3.8	21.5		Blue
MDDN2-110(5)	0.5x2.8	0.5	2.8	2.3	4.3	18.2	10.5	
MDDN2-110(8)	0.8x2.8	0.8	2.8	2.3	4.3	18.2		
MDDN2-187(5)	0.5x4.75	0.5	4.75	2.3	4.3	20.5		
MDDN2-187(8)	0.4x4.75	0.4x2	4.75	2.3	4.3	20.5		Yellow
MDDN2-250	0.8x6.35	0.4x2	6.35	2.3	4.3	21.5		
MDDN5.5-187	0.5x4.75	0.5	4.75	3.4	5.7	22.5	13	
MDDN5.5-250	0.8x6.35	0.4x2	6.35	3.4	5.7	23.5		

Double Crimp Bullet Male Terminals



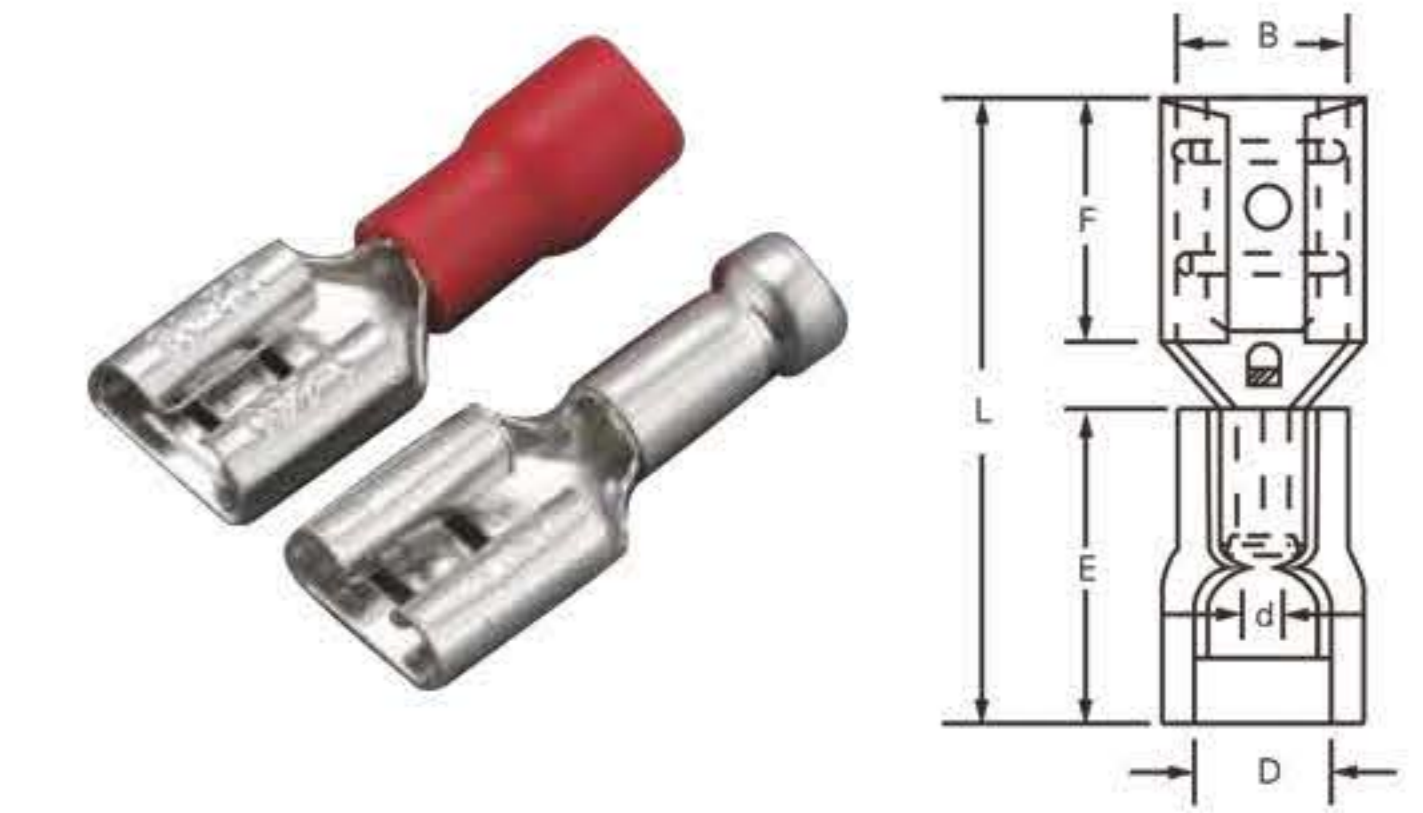
Item No	Thickness	B	F	DΦ	E	L	Insulation	Color
MPDN1.25-156	0.4	4.0	8.5	1.7	10.5	22.0	PVC	Red
MPDN2-156	0.4	4.0	8.5	2.3	10.5	22.2	PVC	Blue
MPDN2-195	0.4	5.0	8.5	2.3	10.5	22.2		
MPDN5.5-156	0.4	4.0	8.5	3.4	13.0	24.5	PVC	Yellow
MPDN5.5-195	0.4	5.0	8.5	3.4	13.0	24.5		

Double Crimp Full- Insulating Female Terminals



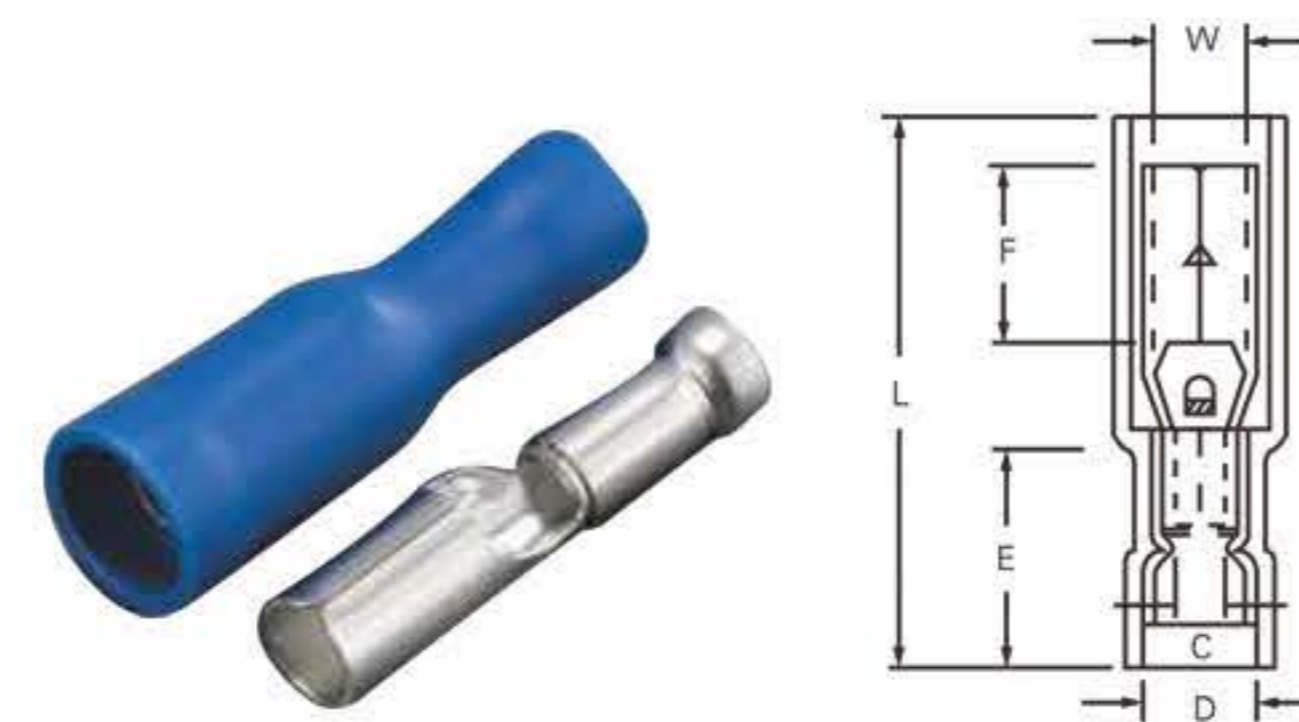
Item No	(mm)	Thickness	B	dΦ	DΦ	L	E	Color
FDFDN1.25-110(5)	0.5x2.8	0.3	3.3	1.7	3.8	21.0	10.5	Red
FDFDN1.25-110(8)	0.8x2.8	0.3	3.3	1.7	3.8	21.0		
FDFDN1.25-187(5)	0.5x4.75	0.35	5.0	1.7	3.8	21.5		
FDFDN1.25-187(8)	0.8x4.75	0.35	5.0	1.7	3.8	21.5		
FDFDN1.25-250	0.8x6.35	0.34	6.6	1.7	3.8	23.4		Blue
FDFDN2-110(5)	0.5x2.8	0.3	3.3	2.3	4.3	21.0	10.5	
FDFDN2-110(8)	0.8x2.8	0.3	3.3	2.3	4.3	21.0		
FDFDN2-187(5)	0.8x4.75	0.35	5.0	2.3	4.3	21.5		
FDFDN2-187(8)	0.8x4.75	0.35	5.0	2.3	4.3	21.5		Yellow
FDFDN2-250	0.8x6.35	0.4	6.6	2.3	4.3	23.7		
FDFDN5.5-110x5	0.5x2.8	0.35	3.3	3.4	5.7	23.0	13	
FDFDN5.5-110x8	0.8x2.8	0.35	3.3	3.4	5.7	23.0		
FDFDN5.5-187x5	0.5x4.75	0.4	5.0	3.4	5.7	24.0		Yellow
FDFDN5.5-187x8	0.8x4.75	0.4	5.0	3.4	5.7	24.0		
FDFDN5.5-250	0.8x6.35	0.4	6.6	3.4	5.7	24.0		
FDFDN5.5-312	0.8x8.0	0.5	8.2	3.4	5.7	27.0		
FDFDN5.5-375	1.2x9.4	0.2	9.9	3.4	5.7	29.5		

Double Crimp Female Terminals



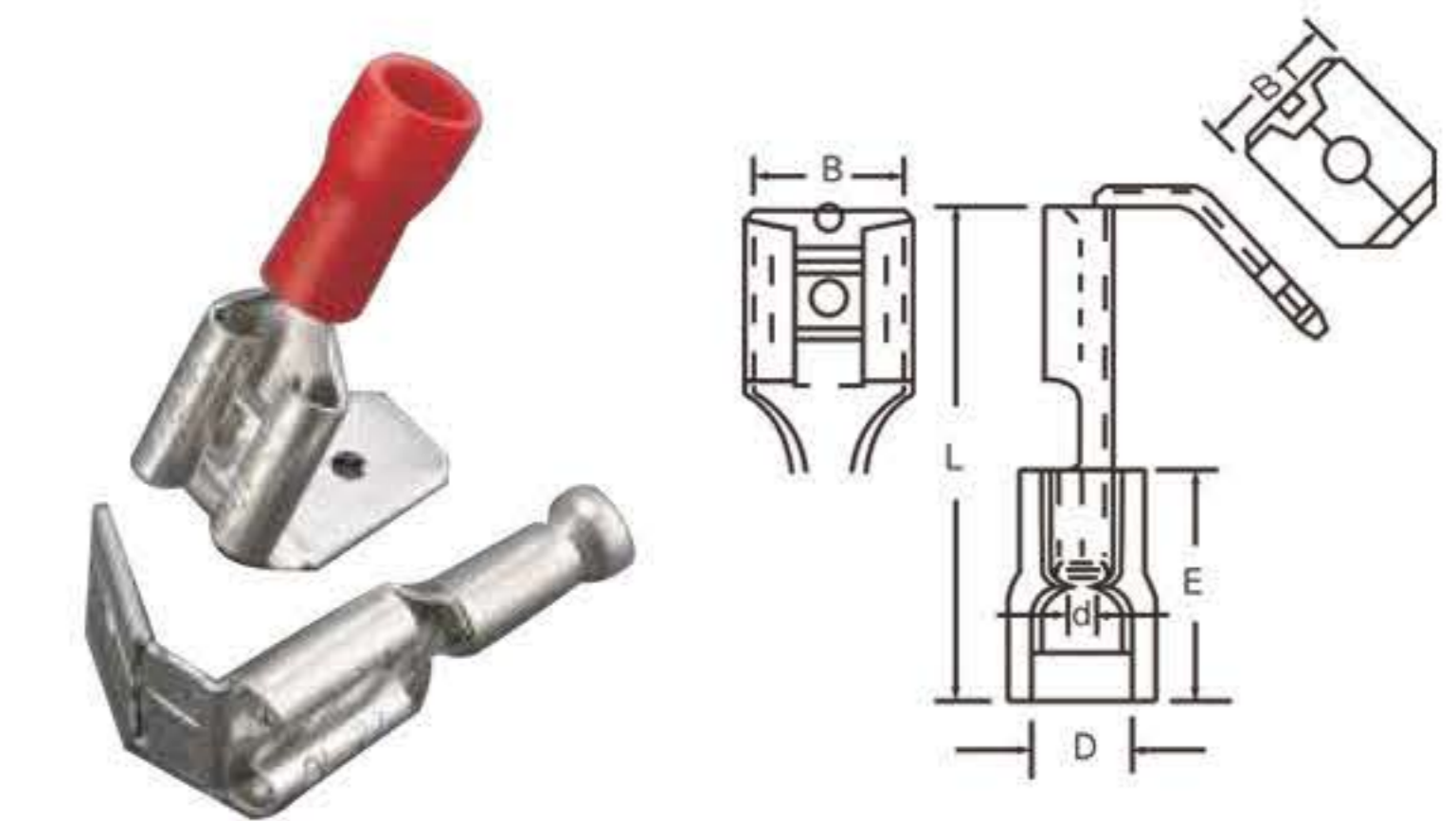
Item No	(mm)	Thickness	B	DΦ	dΦ	L	E	Color
FDDN1.25-110(5)	0.5x2.8	0.3	3.3	3.8	1.7	20	10.5	Red
FDDN1.25-110(8)	0.8x2.8	0.3	3.3	3.8	1.7	20		
FDDN1.25-187(5)	0.5x4.75	0.35	5.0	3.8	1.7	20.5		
FDDN1.25-187(8)	0.8x4.75	0.35	5.0	3.8	1.7	20.5		
FDDN1.25-205	0.5x5.2	0.35	5.7	3.8	1.7	20.5		Blue
FDDN1.25-250	0.8x6.35	0.4	6.6	3.8	1.7	21.3		
FDDN2-110(5)	0.5x2.8	0.3	3.3	4.3	2.3	20	10.5	
FDDN2-110(8)	0.8x2.8	0.3	3.3	4.3	2.3	20		
FDDN2-187(5)	0.5x4.75	0.35	5.0	4.3	2.3	20.5		Yellow
FDDN2-187(8)	0.8x4.75	0.35	5.0	4.3	2.3	20.5		
FDDN2-205	0.5x5.2	0.35	5.7	4.3	2.3	20.5		
FDDN2-250	0.8x6.35	0.4	6.6	4.3	2.3	20.5		
FDDN2-312	0.8x8.0	0.4	8.2	4.3	2.3	25.2		Yellow
FDDN5.5-187x5	0.5x4.75	0.4	5.0	5.0	3.4	23.5	13	
FDDN5.5-187x8	0.8x4.75	0.4	5.0	5.0	3.4	23.5		
FDDN5.5-250	0.8x6.35	0.4	6.6	6.6	3.4	24.9		
FDDN5.5-375	1.2x9.4	0.5	9.9	9.9	3.4	31.1		

Double Crimp Bullet Female Terminals



Item No	Thickness	B	F	DΦ	E	L	Insulation	Color
FRDN1.25-156	0.4	4.0	7.0	1.7	10.5	23.8	PVC	Red
FRDN2-156	0.4	4.0	7.0	2.3	10.5	23.8	PVC	Blue
FRDN2-195	0.4	5.0	7.0	2.3	10.5	23.8		Blue
FRDN5.5-156	0.4	4.0	7.0	3.4	12.5	25.6	PVC	Yellow
FRDN5.5-195	0.4	5.0	7.0	3.4	12.5	25.6		

Double Crimp piggy back Terminals



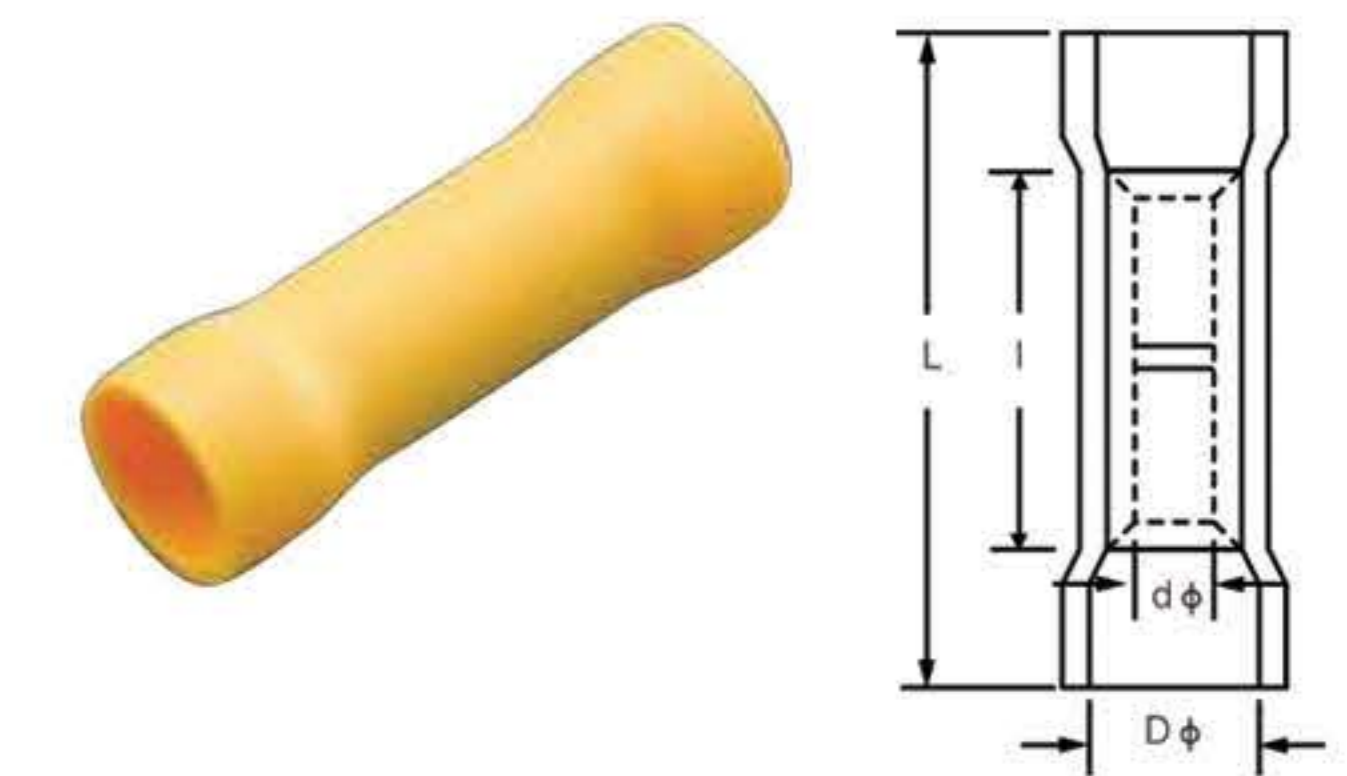
Item No	(mm)	B	B1	E	DΦ	d	L	Color
PBDDN1.25-250	0.8x6.35	6.6	6.35	11.0	3.8	1.7	22.5	Red
PBDDN2-250	0.8x6.35	6.6	6.35	11.0	4.3	2.3	22.5	Blue
PBDDN5.5-250	0.8x6.35	6.6	6.35	13.0	5.7	3.4	24.5	Yellow

The Terminal Series



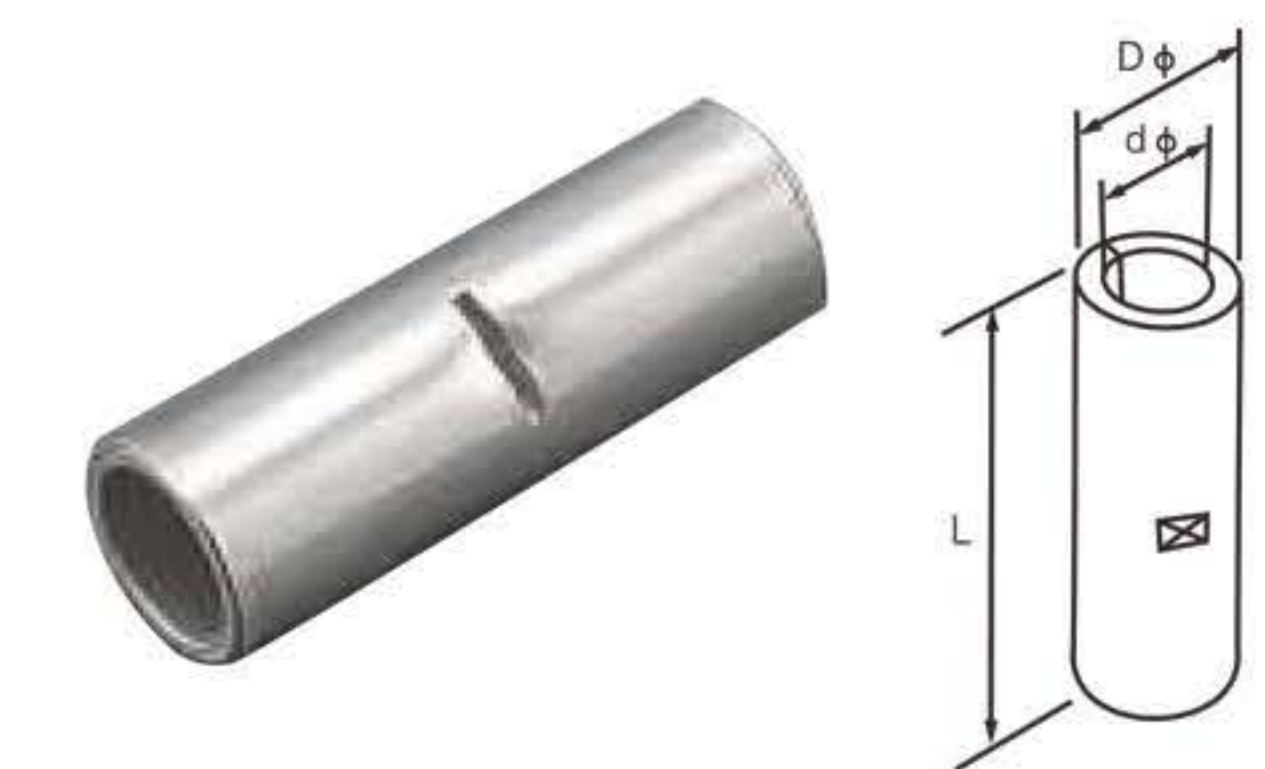
Everyday's **Solution**

Long type Middle Connector



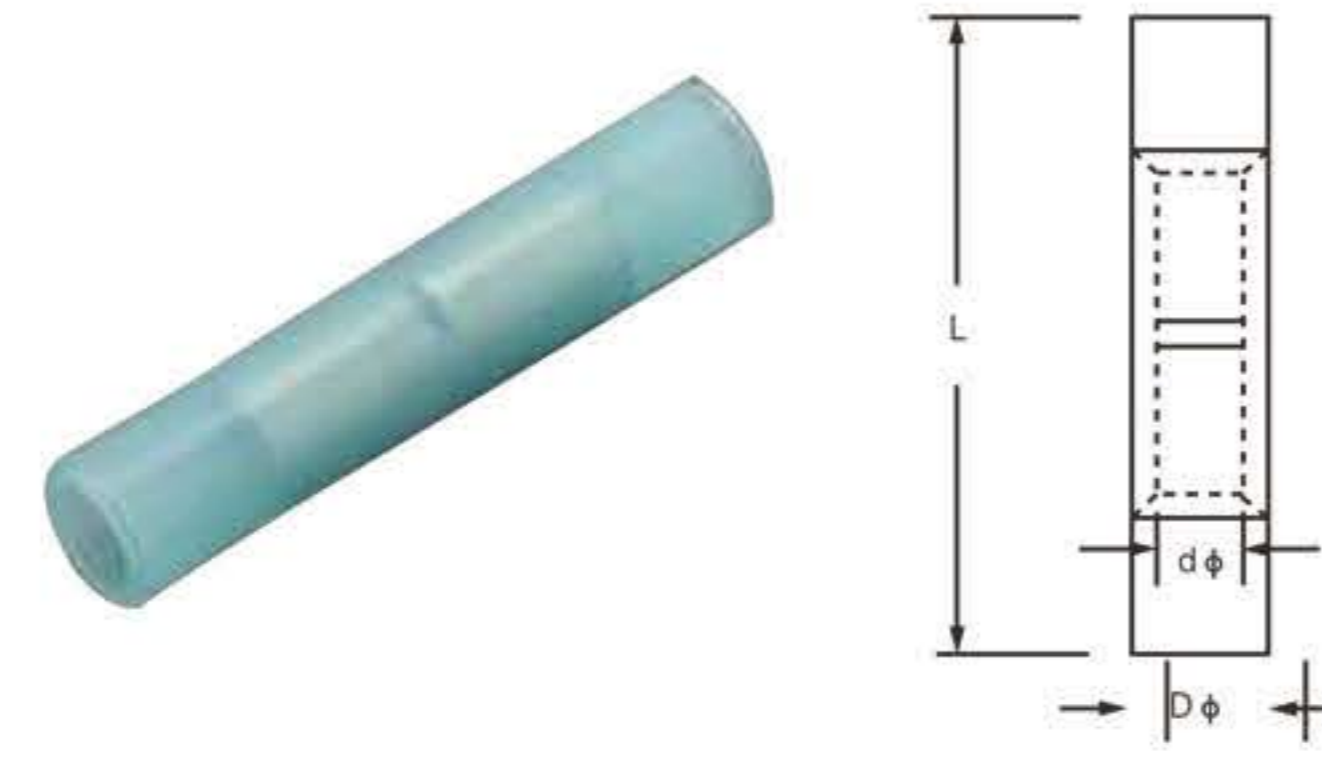
Item No	A.W.G	mm ²	l	dΦ	DΦ	L	Max.current	Color
BV 0.5	26-22	0.2-0.5	12.0	1.3	3.3	22.0	15A	Red
BV 1.2	22-116	0.5-1.5	15.0	1.7	4.3	25.0	19A	Red
BV 2	16-14	1.5-2.5	15.0	2.3	4.9	25.0	27A	Blue
BV 3.5	14-12	2.5-4	15.0	3.0	6.3	25.0	36A	Black
BV 5.5	12-10	4-6	15.0	3.4	6.7	25.0	48A	Yellow
BV 8	#8	6-10	21.0	4.5	8.5	32.0	62A	Red
BV 14	#4	10-16	26.0	5.8	10.5	42.0	88A	Blue
BV 22	#4	16-25	29.0	7.7	13.0	50.0	115A	Yellow
BV 38	#2	35-50	32.0	9.4	15.3	55.0	160A	Red

Non- Insulating Butt Conector



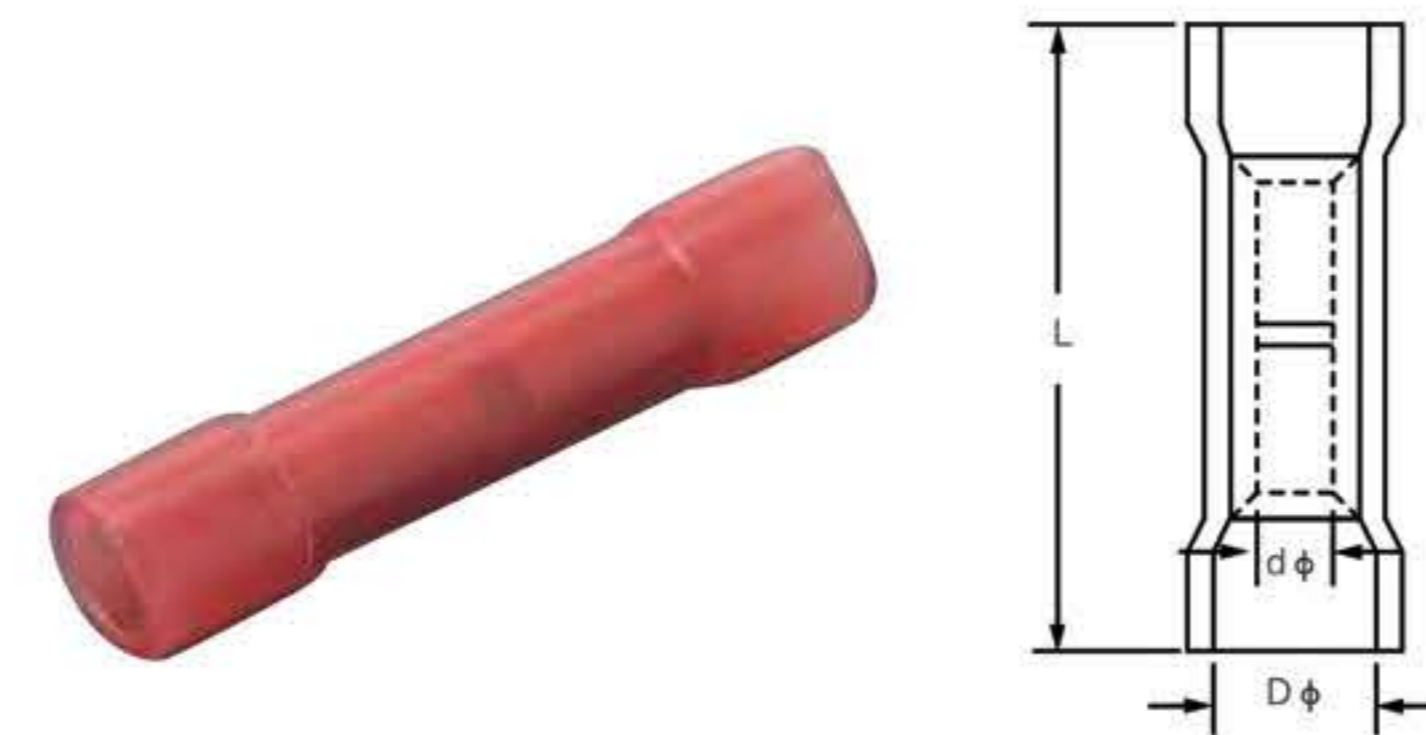
Item No	A.W.G	mm ²	dΦ	DΦ	L	Color
BN0.5	26-22	0.2-0.5	1.3	2.1	12	
BN1.25	22-16	0.5-1.5	1.7	3.3	15	
BN2	16-14	1.5-2.5	2.3	3.9	15	
BN3.5	14-12	2.5-4	3.0	5.0	15	
BN5.5	12-10	4-6	3.4	5.4	15	
BN8	8	8	4.6	7.0	21	
BN14	6	14	5.9	8.9	26	
BN22	4	22	7.8	11.3	29	
BN38	2	38	9.5	13.2	32	
BN60	1/0	60	11.4	15.3	36	
BN70	2/0	70	13.3	17.5	37	
BN80	3/0	80	14.5	19.5	38	
BN100	4/0	100	16.4	22.1	38	
BN150	250/300	150	19.5	26.4	54	
BN180	300/350	180	21	28.5	57	
BN200	400/500	200	24	32.4	63	
BN325	500/600	325	28	37	72	

**Nylon Middle Connector
Long Type**



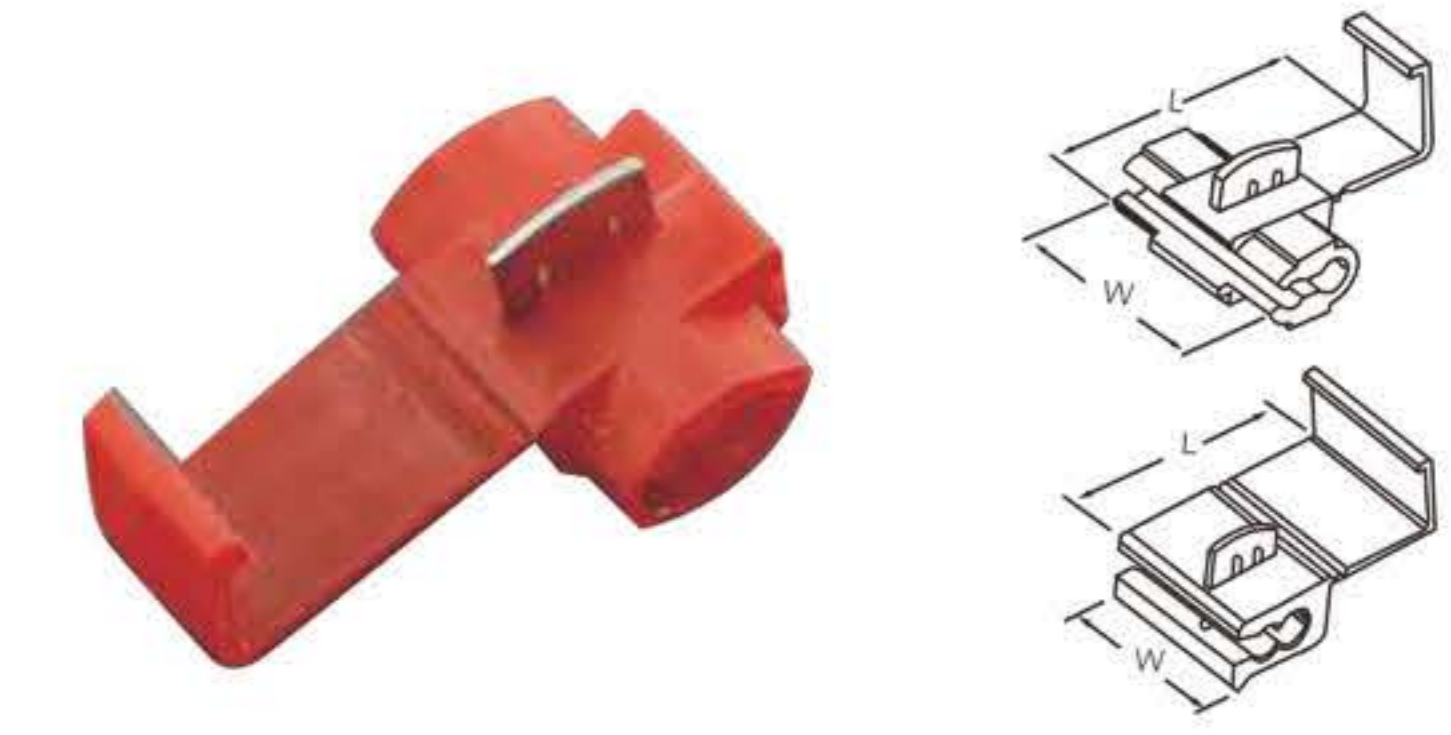
Item No	A.W.G	mm ²	L	dΦ	DΦ	Max.current	Color
BNY1.25	22-16	0.5-1.5	27.5	1.7	3.3	19A	Red
BNY2	16-14	1.5-2.5	27.5	2.3	3.9	27A	Blue
BNY5.5	12-10	4-6	27.5	3.4	5.4	48A	Yellow

**Nylon Middle Connector
Long Type**



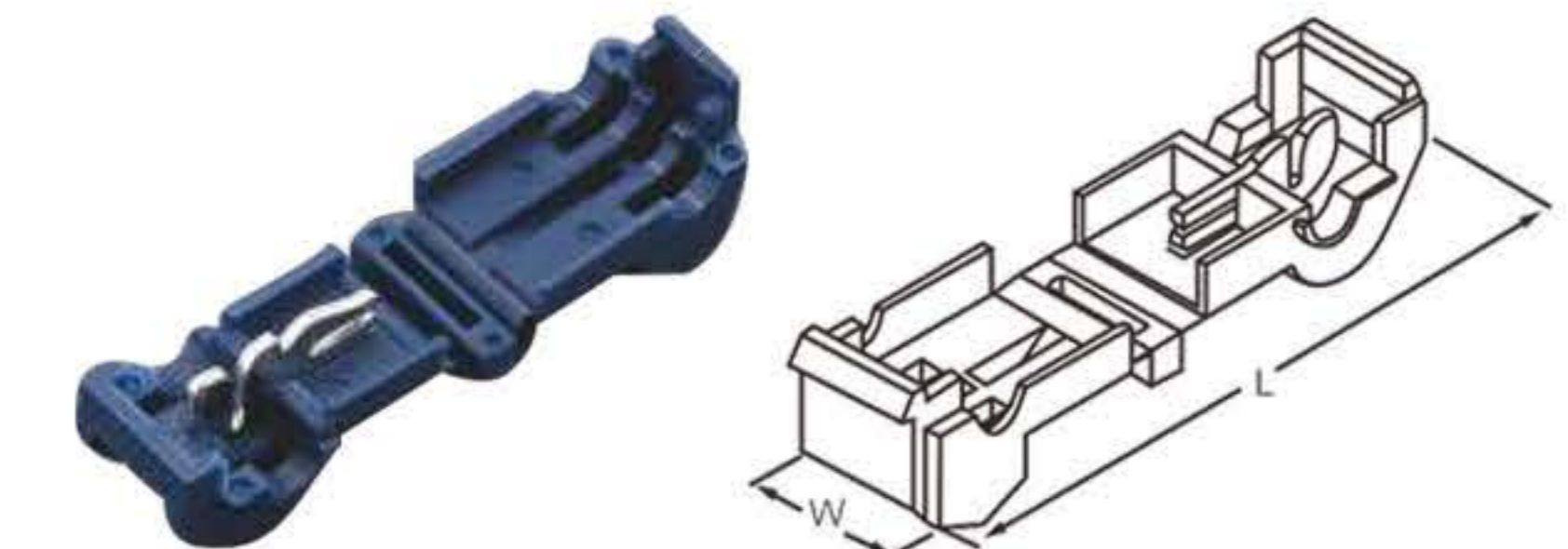
Item No	A.W.G	mm ²	L	dΦ	DΦ	Max.current	Color
BNYF1.25	22-16	0.5-1.5	24.7	1.7	3.8	19A	Red
BNYF2	16-14	1.5-2.5	24.7	2.3	4.7	27A	Blue
BNYF5.5	12-10	4-6	27.3	3.4	6.5	48A	Yellow

Quick Splice Connectors



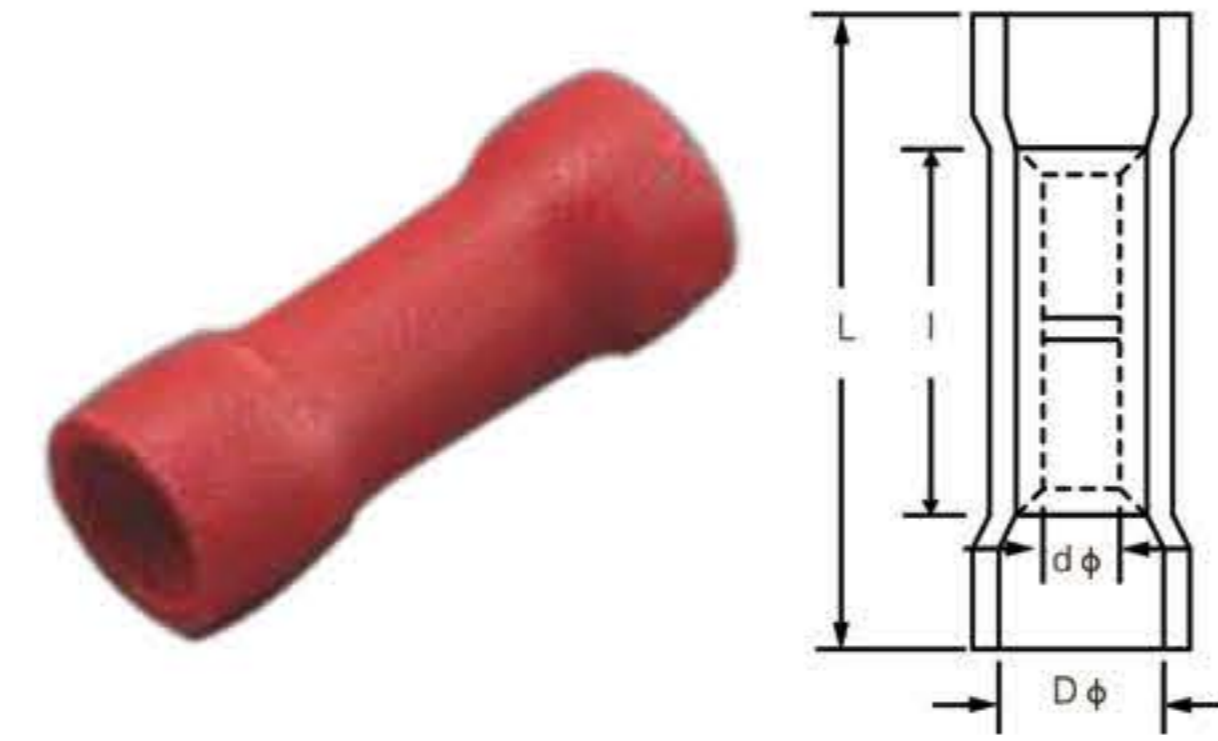
Item No	A.W.G	mm ²	W	L	Color
FG1.25-N3	22-18	0.5-1.0	20.0	27.0	Red
FG2-N3	18-14	0.75-2.5	20.0	27.0	Blue
FG5.5-N3	12-10	4-6	20.5	34.5	Yellow

Quick Splice Connectors



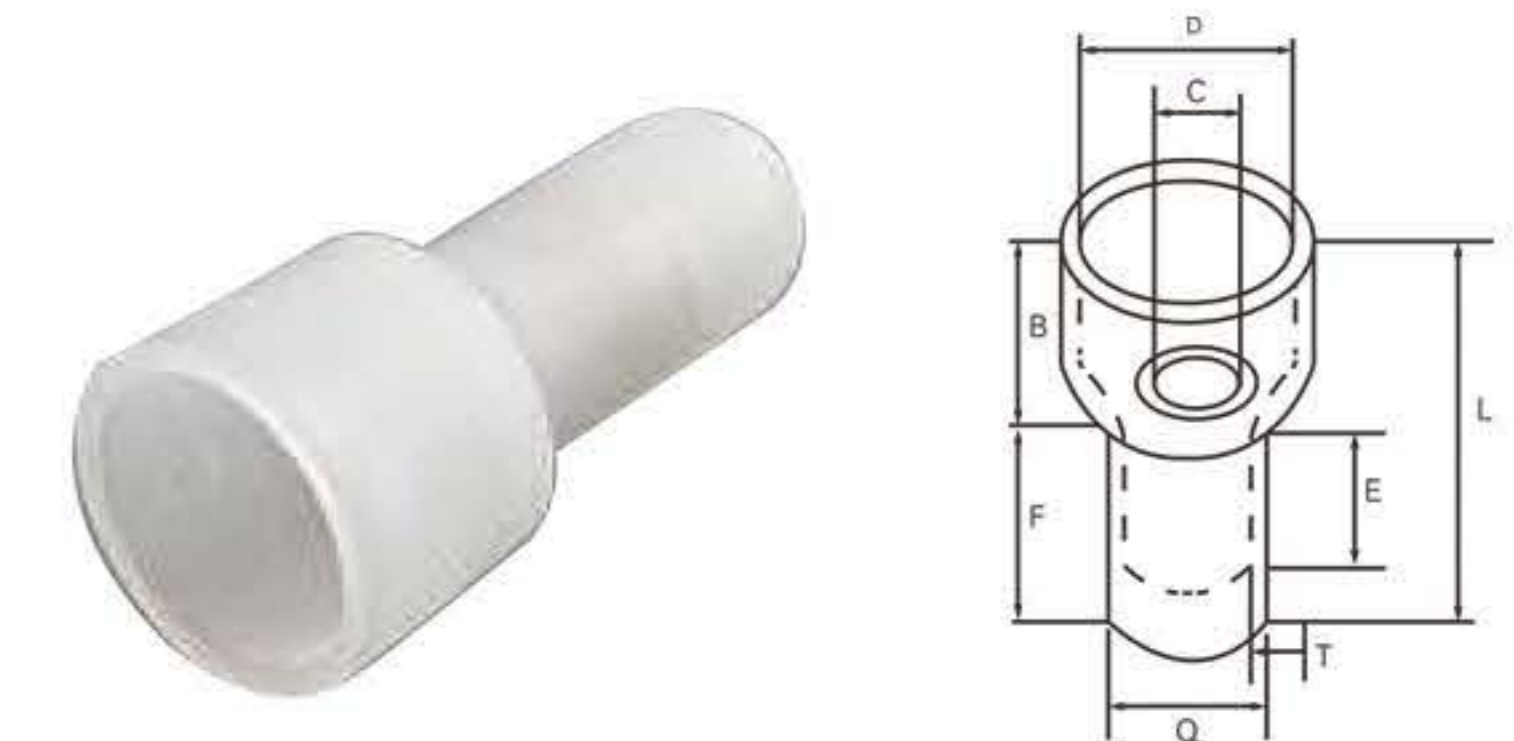
Item No	A.W.G	mm ²	W	L	Color
ZJ87810	22-18	0.5-0.75	9.8	37.0	Tan
ZJ87811	18-14	0.75-2.5	9.8	37.0	Blue
ZJ87821	12-10	4	9.8	37.0	Yellow

Short type Middle Connector



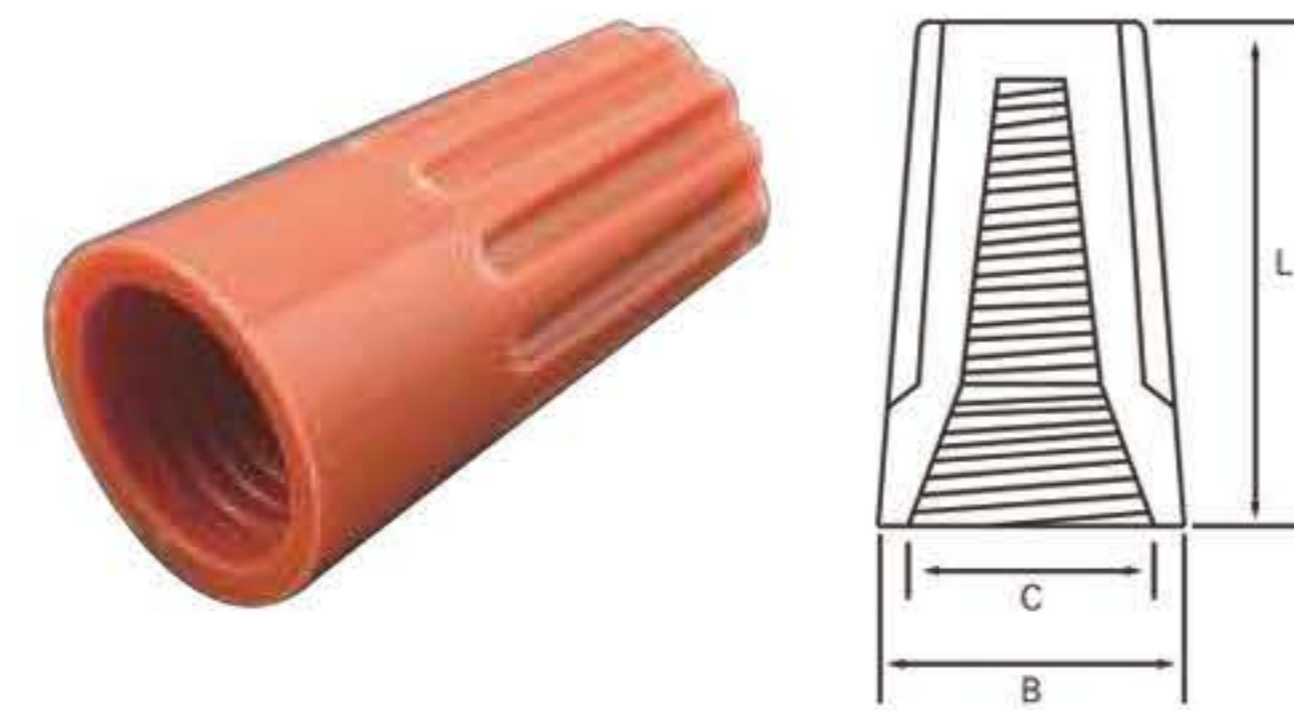
Item No	A.W.G	mm ²	l	dΦ	DΦ	L	Max.current	Color
PVT 1.25	22-16	0.5-1.5	8.0	1.7	4.3	16.0	19A	Red
PVT 2	16-14	1.5-2.5	8.0	2.3	4.9	16.0	27A	Blue
PVT 5.5	12-10	4-6	8.0	3.4	2.7	20.5	48A	Yellow

Quick Splice Connectors



Item No	A.W.G	mm ²	C	T	E	L	F	B	D	Q
CE1	22-16	0.5-1.5	2.2	3.0	6.0	18.0	10.0	5.5	5.5	4.5
CE2	16-14	0.5-1.5	2.9	4.0	6.5	19.8	11.0	6.5	7.0	5.0
CE5	12-10	4-6	4.3	5.0	8.0	25.0	14.0	10.0	10.0	7.0

Wire Nut Connector



Item No	Wire combination scope	B	C	L	Color
SP1	最少0.75 × 1+0.5 × 1最多1.5 × 2	8.5	6.7	15.0	Gray
SP2	最少0.75 × 3最多1.5 × 3	10.1	7.4	17.5	blue
SP3	最少0.75 × 3最多1.5 × 3+1 × 1	12.6	9.9	22.1	orange
SP4	最少0.25 × 1+0.75 × 1最多2.5 × 4+0.75 × 1	13.7	11.0	24.5	yellow
SP6	最少0.25 × 2最多6 × 2+4 × 2	16.0	13.0	26.5	red



The Terminal Series



Everyday's **Solution**

Heat Shrinkable Ring Terminals



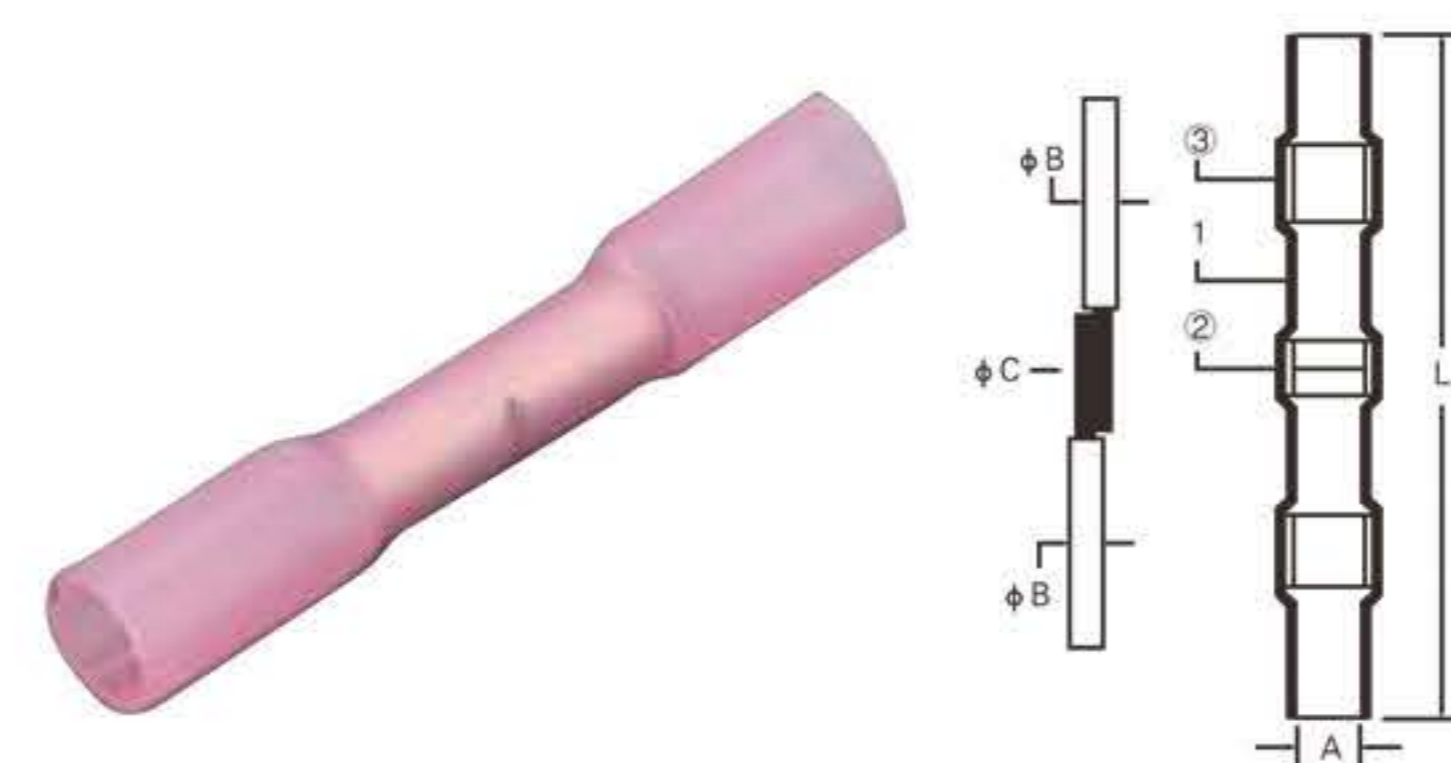
Item No	USA Bole No.	Bolt dia d2(mm)	B	F	L	E	DΦ	Color
RVRS1.25-3	#4	3.2	5.7	4.95	26.6	19.0	4.8	Red
RVRS1.25-3.5S	#6	3.7	5.7	4.95	26.6			
RVRS1.25-3.5M	#6	3.7	6.6	6.3	28.4			
RVRS1.25-3.5L	#6	3.7	8.0	7.0	29.8			
RVRS1.25-4S	#8	4.3	6.6	6.3	28.4			
RVRS1.25-4L	#8	4.3	8.0	7.0	29.8			
RVRS1.25-5S	#10	5.3	8.0	7.0	29.8			
RVRS1.25-5L	#10	5.3	9.5	8.5	31.0			
RVRS1.25-6S	1/4	6.5	9.5	8.5	31.0			
RVRS1.25-6L	1/4	6.5	11.6	11.1	35.8			
RVRS1.25-8	5/16	8.5	11.6	11.1	35.8			
RVRS1.25-10	3/8	10.5	13.6	13.9	39.5			
RVRS1.25-12	1/2	13.0	19.2	16.0	44.4			
RVRS2-3	#4	3.2	6.6	4.8	26.6	19.0	5.8	Blue
RVRS2-3.5S	#6	3.7	6.6	4.8	26.6			
RVRS2-3.5M	#6	3.7	6.6	7.0	28.4			
RVRS2-3.5L	#6	3.7	8.5	7.4	29.8			
RVRS2-4S	#8	4.3	6.6	6.3	28.4			
RVRS2-4L	#8	4.3	8.5	7.4	29.8			
RVRS2-5S	#10	5.3	8.5	7.4	29.8			
RVRS2-5L	#10	5.3	9.5	7.4	31.0			
RVRS2-6S	1/4	6.5	9.5	7.4	31.0			
RVRS2-6L	1/4	6.5	12.0	11.0	35.8			
RVRS2-8	5/16	8.5	12.0	11.0	35.8			
RVRS2-10	3/8	10.5	13.6	13.9	39.5			
RVRS2-12	1/2	13.0	19.2	16.0	44.4			
RVRS5.5-3.5	#6	3.7	7.2	6.1	31.5	22.0	6.8	Yellow
RVRS5.5-4S	#8	4.3	7.3	6.1	31.5			
RVRS5.5-4L	#8	4.3	9.5	8.3	34.8			
RVRS5.5-5	#10	5.3	9.5	8.3	34.8			
RVRS5.5-6	1/4	6.5	12.0	10.5	38.3			
RVRS5.5-8	5/16	8.5	15.0	13.7	43.8			
RVRS5.5-10	3/8	10.5	15.0	13.7	43.8			
RVRS5.5-12	1/2	13.0	19.2	16.0	48.2			

Heat Shrinkable Female Terminals



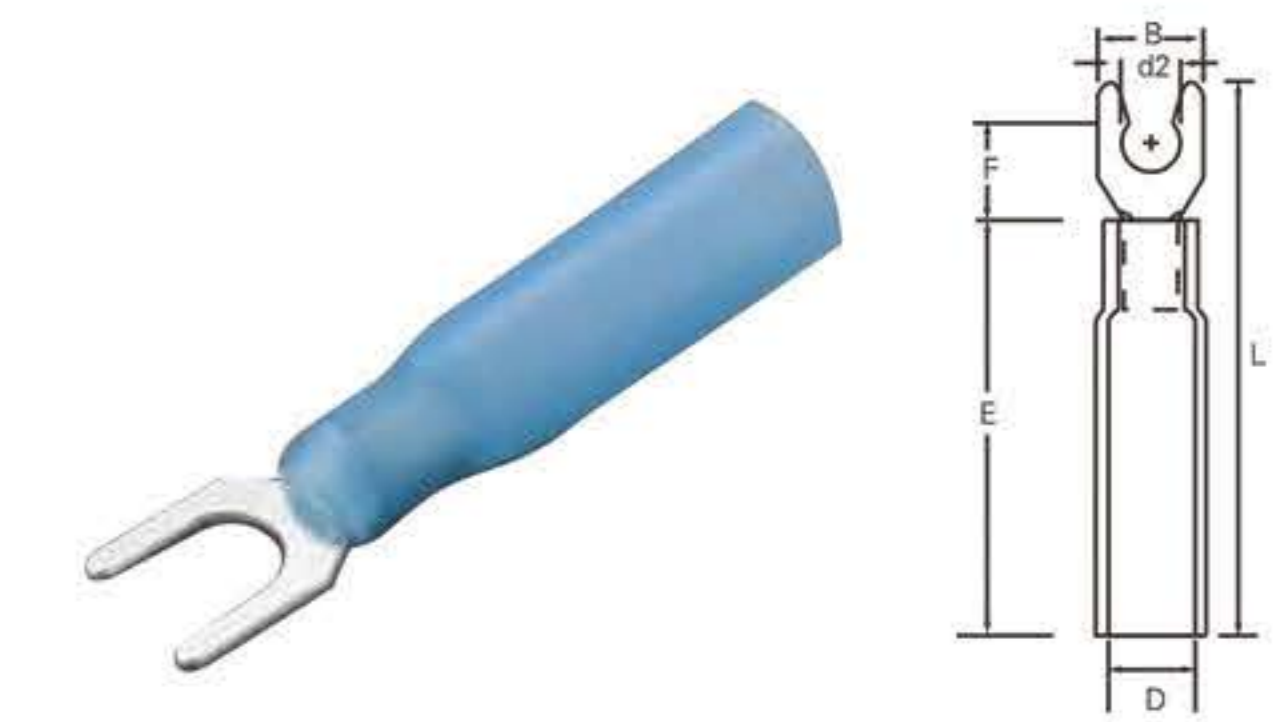
Item No	(mm)	Thickness	B	dΦ	DΦ	L	E	Color
FDRS1.25-110(5)	0.5x2.8	0.3	3.3	1.7	4.8	27.3	19.0	Red
FDRS1.25-110(8)	0.8x2.8	0.3	3.3	1.7	4.8	27.3		
FDRS1.25-187(5)	0.5x4.75	0.35	5.0	1.7	4.8	27.8		
FDRS1.25-187(8)	0.8x4.75	0.35	5.0	1.7	4.8	27.8		
FDRS1.25-205	0.5x5.2	0.35	5.7	1.7	4.8	27.8		
FDRS1.25-250	0.8x6.35	0.4	6.6	1.7	4.8	28.6		
FDRS2-110(5)	0.5x2.8	0.3	3.3	2.3	5.8	27.3	19.0	Blue
FDRS2-110(8)	0.8x2.8	0.3	3.3	2.3	5.8	27.3		
FDRS2-187(5)	0.5x4.75	0.35	5.0	2.3	5.8	27.8		
FDRS2-187(8)	0.8x4.75	0.35	5.0	2.3	5.8	27.8		
FDRS2-205	0.5x5.2	0.35	5.7	2.3	5.8	27.8		
FDRS2-250	0.8x6.35	0.4	6.6	2.3	5.8	32.5		
FDRS2-312	0.8x0.8	0.4	8.2	3.4	5.8	30.8		Yellow
FDRS5.5-187x5	0.5x4.75	0.4	5.0	3.4	6.8	30.8	22.0	
FDRS5.5-187x8	0.8x4.75	0.4	5.0	3.4	6.8	32.2		
FDRS5.5-250	0.8x6.35	0.4	6.6	3.4	6.8	38.4		

Heat Shrinkable Butt Connector



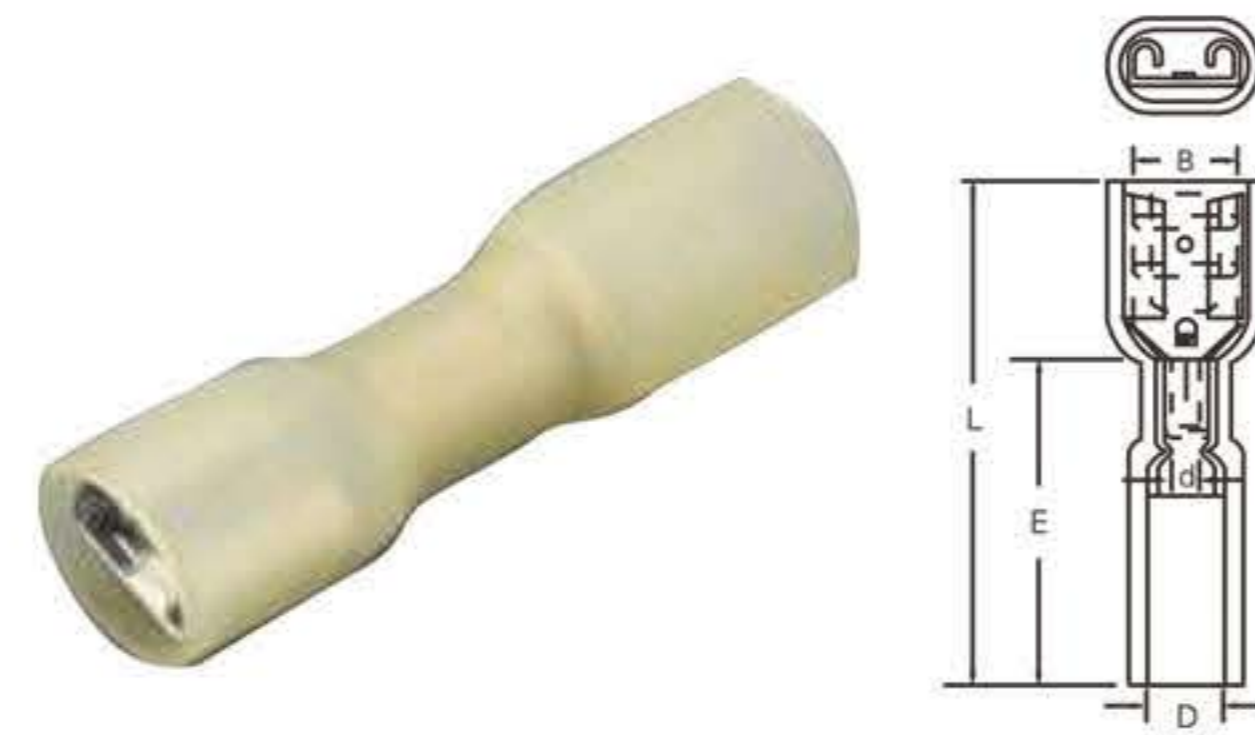
Item No	A.W.G	mm ²	B	L2	W	L1	Color
BHT-0.5	20-22	0.3-0.5	1.0	12	3.0	26	Yellow
BHT-1.25	22-18	0.5-1.0	1.7	15	4.8	36.5	Red
BHT-2.5	16-14	1.5-2.5	2.4	15	5.8	36.5	Blue
BHT-5.5	12-10	4.0-6.0	3.6	15	6.8	41.5	Yellow

Heat Shrinkable Fork Terminals



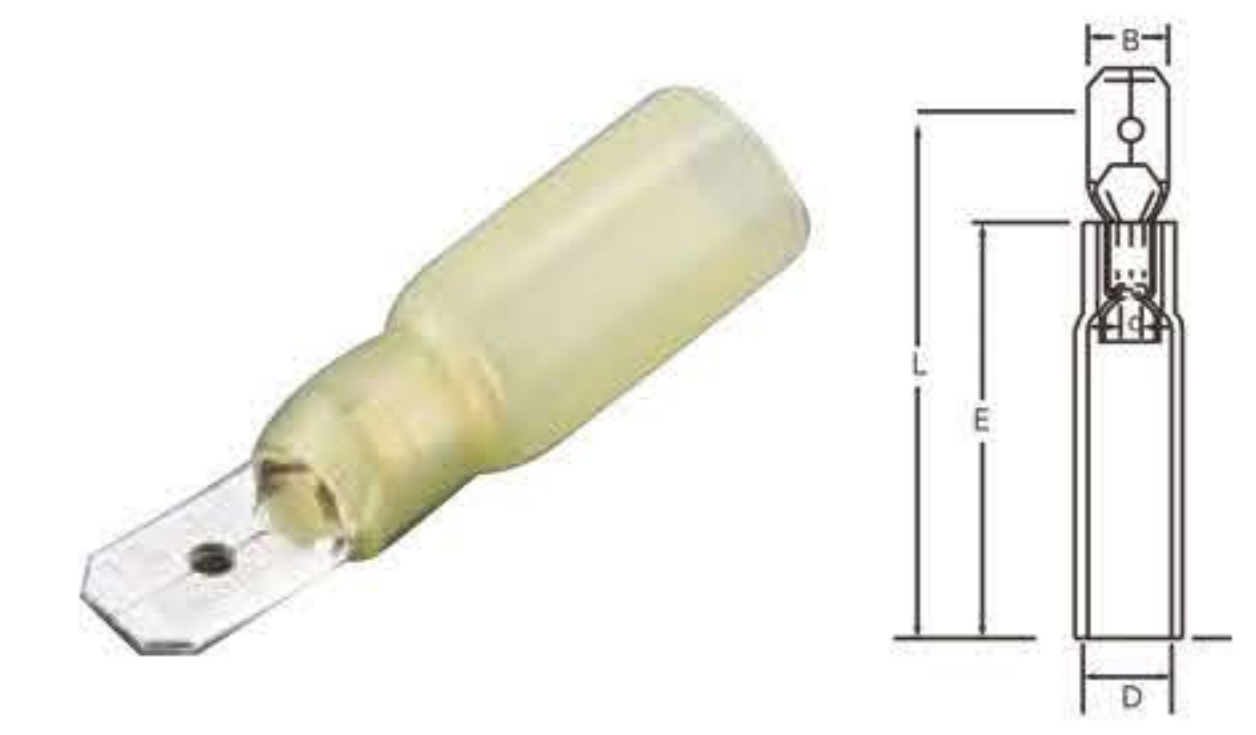
Item No	USA Bole No.	Bolt dia d2(mm)	B	F	L	E	DΦ	Color
SVRS1.25-3	#4	3.2	5.7	6.5	30.0	19.0	4.8	Red
SVRS1.25-3.5S	#6	3.7	5.7	6.5	30.0			
SVRS1.25-3.5L	#6	3.7	6.4	6.5	30.0			
SVRS1.25-4S	#8	4.3	6.4	6.5	30.0			
SVRS1.25-4M	#8	4.3	7.2	6.5	30.0			
SVRS1.25-4L	#8	4.3	8.1	6.5	30.0			
SVRS1.25-5S	#10	5.3	8.1	6.5	30.0			
SVRS1.25-5L	#10	5.3	9.5	6.5	30.0			
SVRS1.25-6S	1/4	6.5	9.5	11.0	36.0			
SVRS1.25-6L	1/4	6.5	12.0	12.5	38.0			
SVRS1.25-8	5/16	8.5	14.0	6.5	30.0			
SVRS2-3	#4	3.2	5.7	6.5	30.0	19.0	5.8	
SVRS2-3.5S	#6	3.7	5.7	6.5	30.0			
SVRS2-3.5L	#6	3.7	6.4	6.5	30.0			
SVRS2-4S	#8	4.3	6.4	6.5	30.0			
SVRS2-4M	#8	4.3	7.2	6.5	30.0			
SVRS2-4L	#8	4.3	8.1	6.5	30.0			
SVRS2-5S	#10	5.3	8.1	6.5	30.0			
SVRS2-5L	#10	5.3	9.5	11.0	36.0			
SVRS2-6S	1/4	6.5	9.5	12.5	38.0			
SVRS2-6L	1/4	6.5	12.0	7.5	34.3			
SVRS2-8	5/16	8.5	14.0	7.5	34.3			
SVRS5.5-3.5	#6	3.7	8.3	7.5	34.3	22.0	6.8	Yellow
SVRS5.5-4S	#8	4.3	8.3	7.5	34.3			
SVRS5.5-4L	#8	4.3	9.0	7.5	34.3			
SVRS5.5-5	#10	5.3	9.0	7.5	34.3			
SVRS5.5-6S	1/4	6.5	9.0	7.5	34.3			
SVRS5.5-6L	1/4	6.5	12.0	12.0	40.3			
SVRS5.5-8	5/16	8.5	14.0	11.5	39.3			

Heat Shrinkable Full-Insulating Female Terminals



Item No	(mm)	Thickness	B	dΦ	DΦ	L	E	Color
FDFDRS1.25-110(5)	0.5x2.8	0.3	3.3	1.7	4.8	26.0	17.0	Red
FDFDRS1.25-110(8)	0.8x2.8	0.3	3.3	1.7	4.8	26.0		
FDFDRS1.25-187(5)	0.5x4.75	0.35	5.0	1.7	4.8	26.0		
FDFDRS1.25-187(8)	0.8x4.75	0.35	5.0	1.7	4.8	26.0		
FDFDRS1.25-250	0.8x6.35	0.4	6.6	1.7	6.0	28.0		
FDFDRS2-110(5)	0.5x2.8	0.3	3.3	2.3	5.8	26.0	19.0	Blue
FDFDRS2-110(8)	0.8x2.8	0.3	3.3	2.3	5.8	26.0		
FDFDRS2-187(5)	0.8x4.75	0.35	5.0	2.3	5.8	26.0		
FDFDRS2-187(8)	0.8x4.75	0.35	5.0	2.3	5.8	26.0		
FDFDRS2-250	0.8x6.35	0.4	6.6	2.3	8.0	28.0	19.0	Yellow
FDFDRS5.5-187x5	0.5x4.75	0.4	5.0	3.4	7.0	26.0		
FDFDRS5.5-187x8	0.8x4.75	0.4	5.0	3.4	7.0	26.0		
FDFDRS5.5-250	0.8x6.35	0.4	6.6	3.4	8.5	28.0		
FDFDRS5.5-375	1.2x9.4	0.5	9.9	3.4	10.5	30.0		

Heat Shrinkable Male Terminals



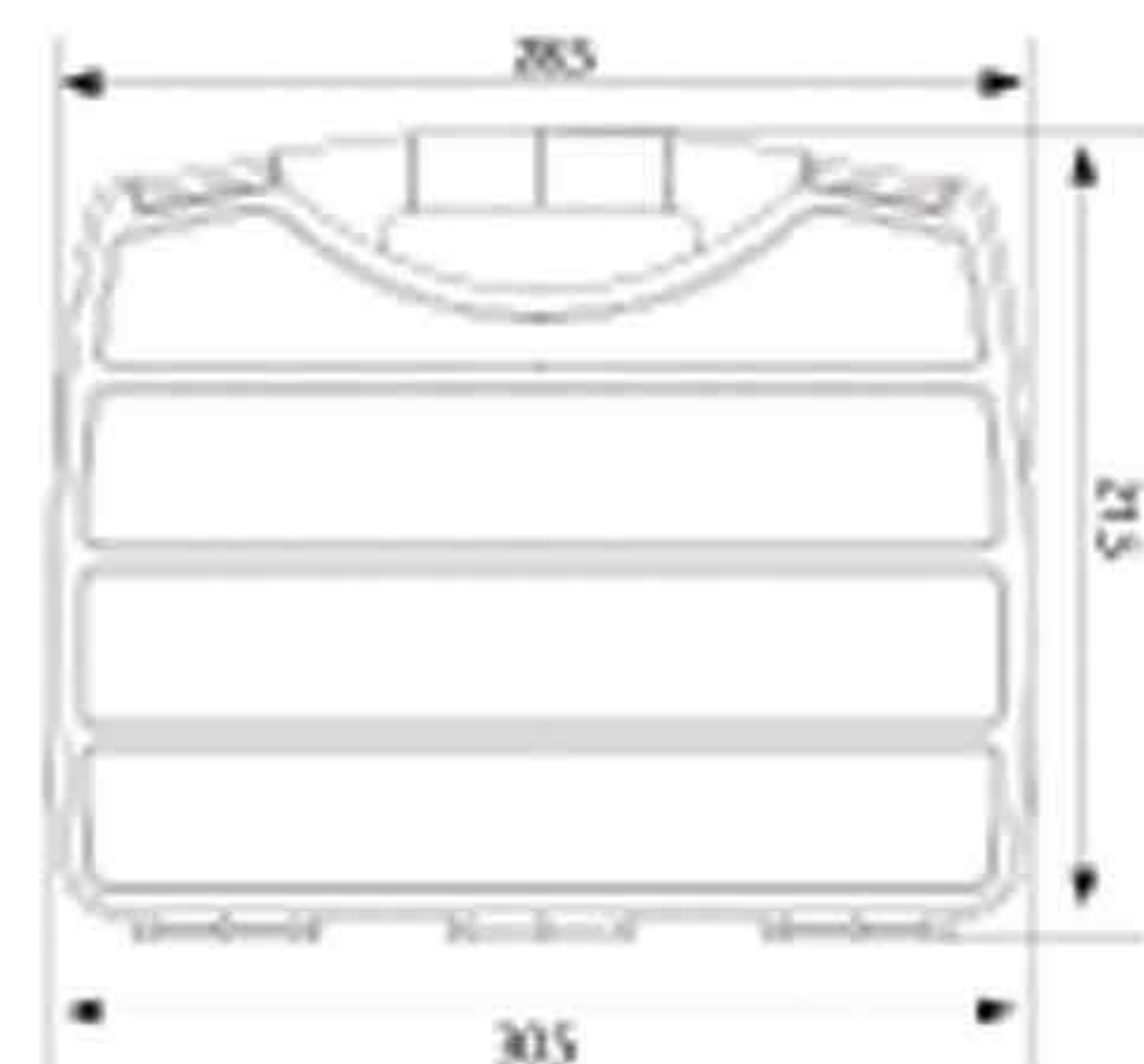
Item No	(mm)	Thickness	B	dΦ	DΦ	L	E	Color
MDRS1.25-110(5)	0.5x2.8	0.5	2.8	1.7	4.8	26.5	19.0	Red
MDRS1.25-110(8)	0.8x2.8	0.8	2.8	1.7	4.8	26.5		
MDRS1.25-187(5)	0.5x4.75	0.5	4.75	1.7	4.8	28.8		
MDRS1.25-187(8)	0.4x4.75	0.4X2	4.75	1.7	4.8	28.8		
MDRS1.25-250	0.8x6.35	0.4X2	6.35	1.7	4.8	29.8		
MDRS2-110(5)	0.5x2.8	0.5	2.8	2.3	5.8	26.5	19.0	Blue
MDRS2-110(8)	0.8x2.8	0.8	2.8	2.3	5.8	26.5		
MDRS2-187(5)	0.5x4.75	0.5	4.75	2.3	5.8	28.8		
MDRS2-187(8)	0.4x4.75	0.4X2	4.75	2.3	5.8	28.8		
MDRS2-250	0.8x6.35	0.4X2	6.35	2.3	5.8	29.8	22.0	Yellow
MDRS5.5-187	0.5x4.75	0.5	4.75	3.4	6.8	30.8		
MDRS5.5-250	0.8x6.35	0.4X2	6.35	3.4	6.8	31.8		

Solder Sleeve Wire Splices



Item No	A.W.G	mm ²	A(min)	L(min)	B(min)	B and C(min)	C(min)	Color
ZJ-11	26-24	(0.25-0.34)	1.7	26	1.0	1.7	0.76	White
ZJ-21	22-18	(0.5-1.0)	2.7	40	1.4	2.7	1.2	Red
ZJ-31	16-14	(1.5-2.5)	4.5	40	2.3	4.5	2.0	Blue
ZJ-41	12-10	(4.0-6.0)	6.0	40	3.7	6.0	3.4	Yellow

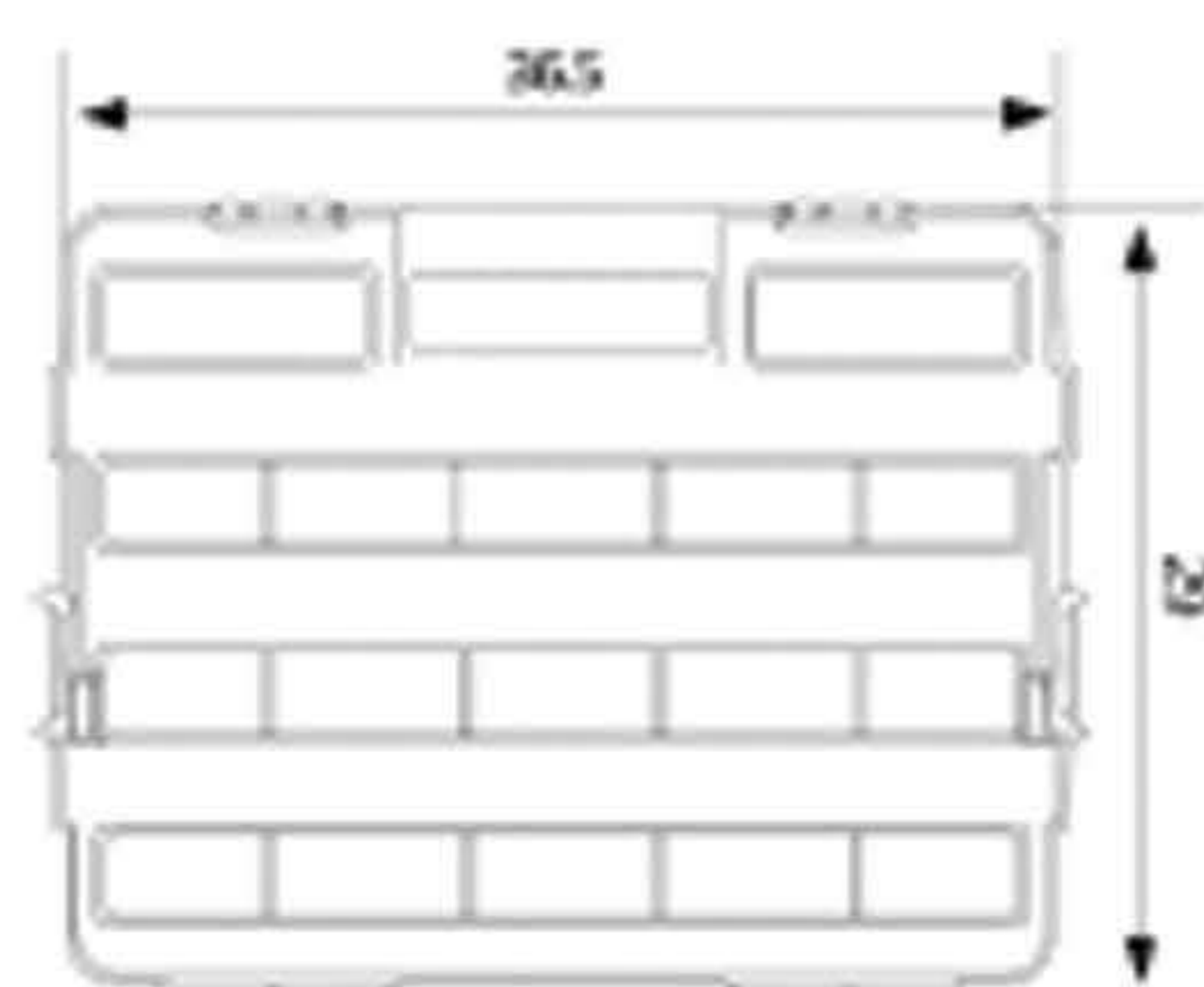
EWT 15
Easy Wiring Terminal Set 15 Box



EWT 9
Easy Wiring Terminal Set



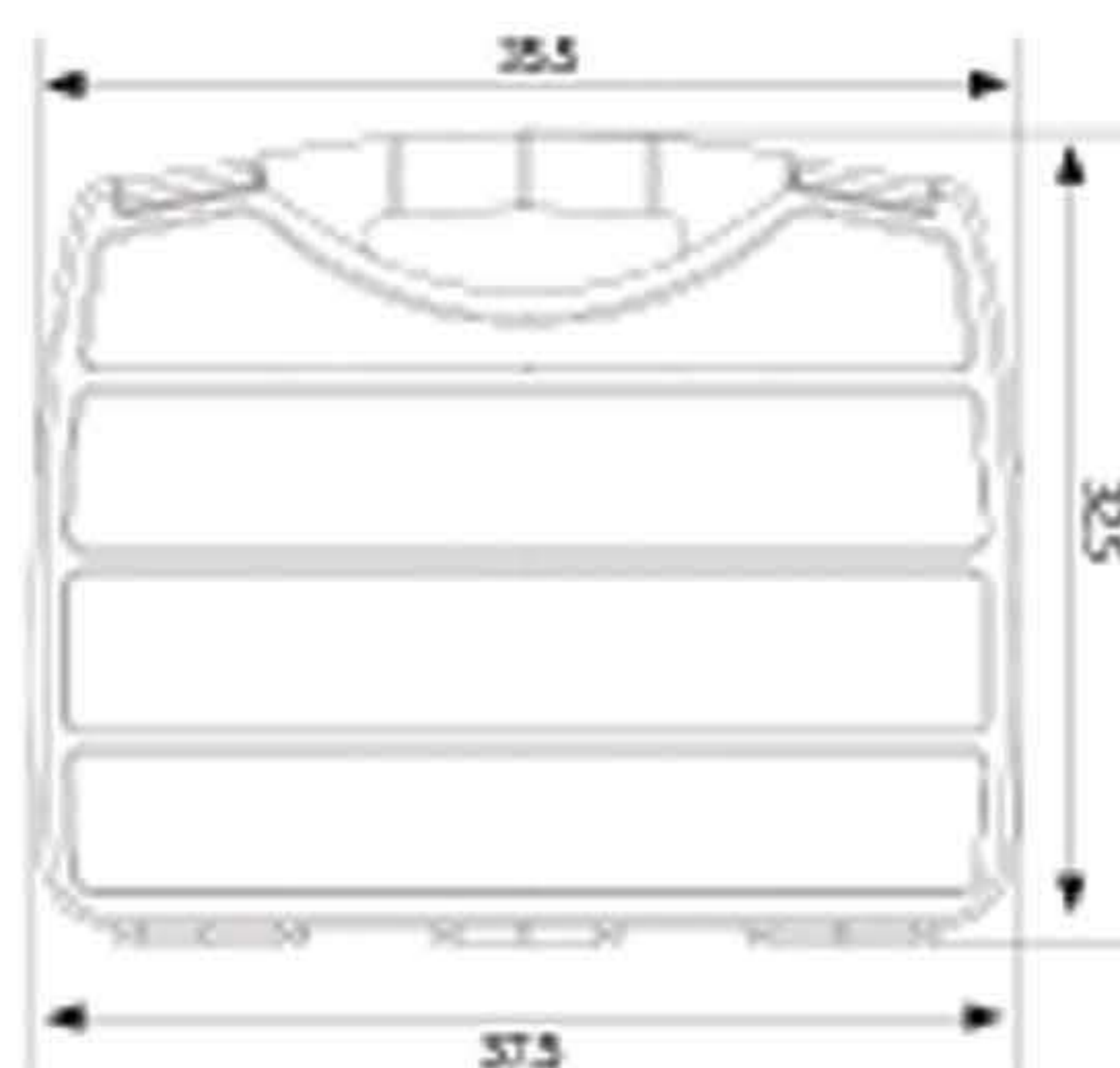
EWT 17
Easy Wiring Terminal Set 17 Box



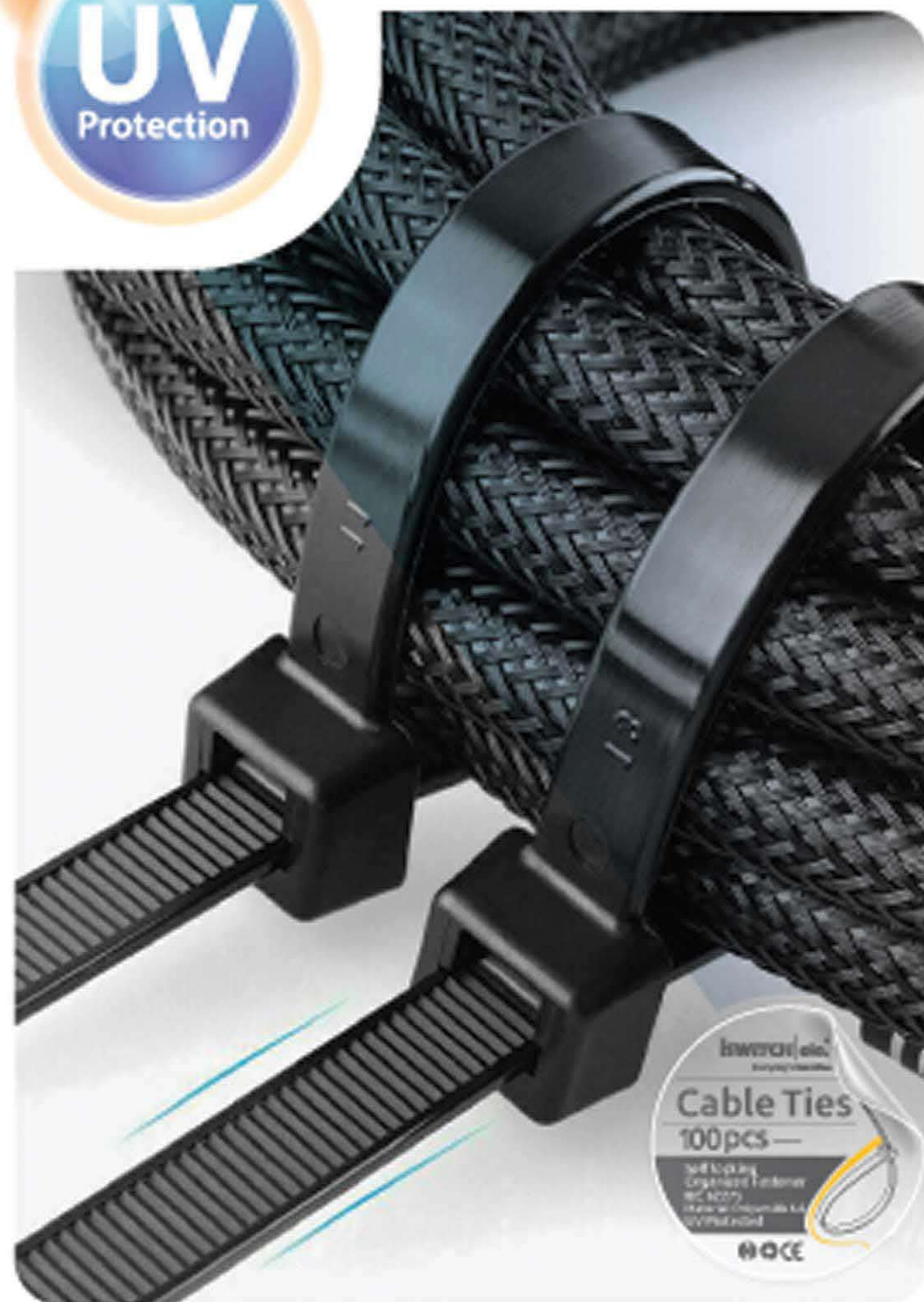
EWT 12
Easy Wiring Terminal Set 12 Box



EWT 21
Easy Wiring Terminal Set 21 Box



بست کمر بندی Cable Tie Series



ISO 4892: 3-2016 UV Test Certificate

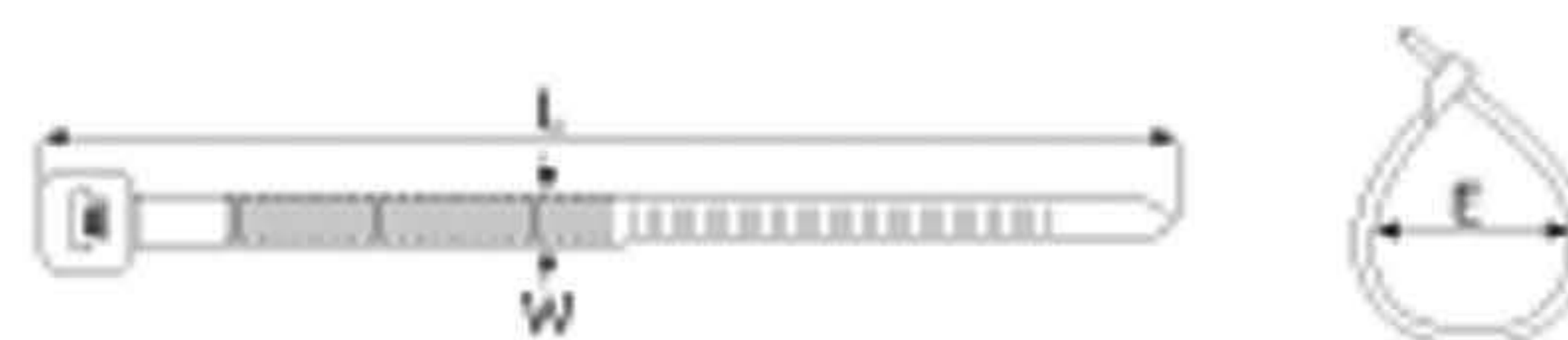
Self-Locking Nylon Cable Tie

- Material
Natural polyamide 6.6 natural
UV Black: polyamide 6.6 + carbon black
Colors: polyamide 6.6 natural + colorant
- Flammability of raw material: UL 94 - V2
- Humidity absorption: 2.7% - 2.8% (23°C - 50% RH)
- Working (operation) temperature: -40°C - +85°C (-40°F - +185°F)
- Min installation temperature: -10°C (14°F)
- Max sustainable temperature for short time: +110°C (230°F)
- Good resistance to bases, oils, greases, oil derivatives, chloride solvents, limited resistance to acids, not resistant to phenols
- ISO 4892: 3-2016 UV test certificate from AGO certifying body



Descriptions

Item No	L (mm)	W (mm)	Bundle Dia (mm)	Min. loop Tensile Strength (kg)	Packing (Pcs)
IS-2.5*60	60	60	2-11	8	100
IS-2.5*80	80	80	2-16	8	100
IS-2.5*100	100	100	2-22	8	100
IS-2.5*120	120	120	2-30	8	100
IS-2.5*150	150	150	2-35	8	100
IS-2.5*160	160	160	2-40	8	100
IS-2.5*200	200	200	3-50	8	100
IS-3.6*120	120	120	3-30	18	100
IS-3.6*150	150	150	3-35	18	100
IS-3.6*180	180	180	3-42	18	100
IS-3.6*200	200	200	3-50	18	100
IS-3.6*250	250	250	3-65	18	100
IS-3.6*280	280	280	3-70	18	100
IS-3.6*300	300	300	3-80	18	100
IS-3.6*370	370	370	3-102	18	100
IS-4.8*120	120	120	3-24	22	100
IS-4.8*180	180	180	3-42	22	100
IS-4.8*200	200	200	3-50	22	100
IS-4.8*250	250	250	3-65	22	100
IS-4.8*280	280	280	3-70	22	100
IS-4.8*300	300	300	3-82	22	100
IS-4.8*350	350	350	3-80	22	100



محافظ هوشمند ولتاژ/جریان/مصرف انرژی
Intelligent Voltage/ Current/ KWH 1P



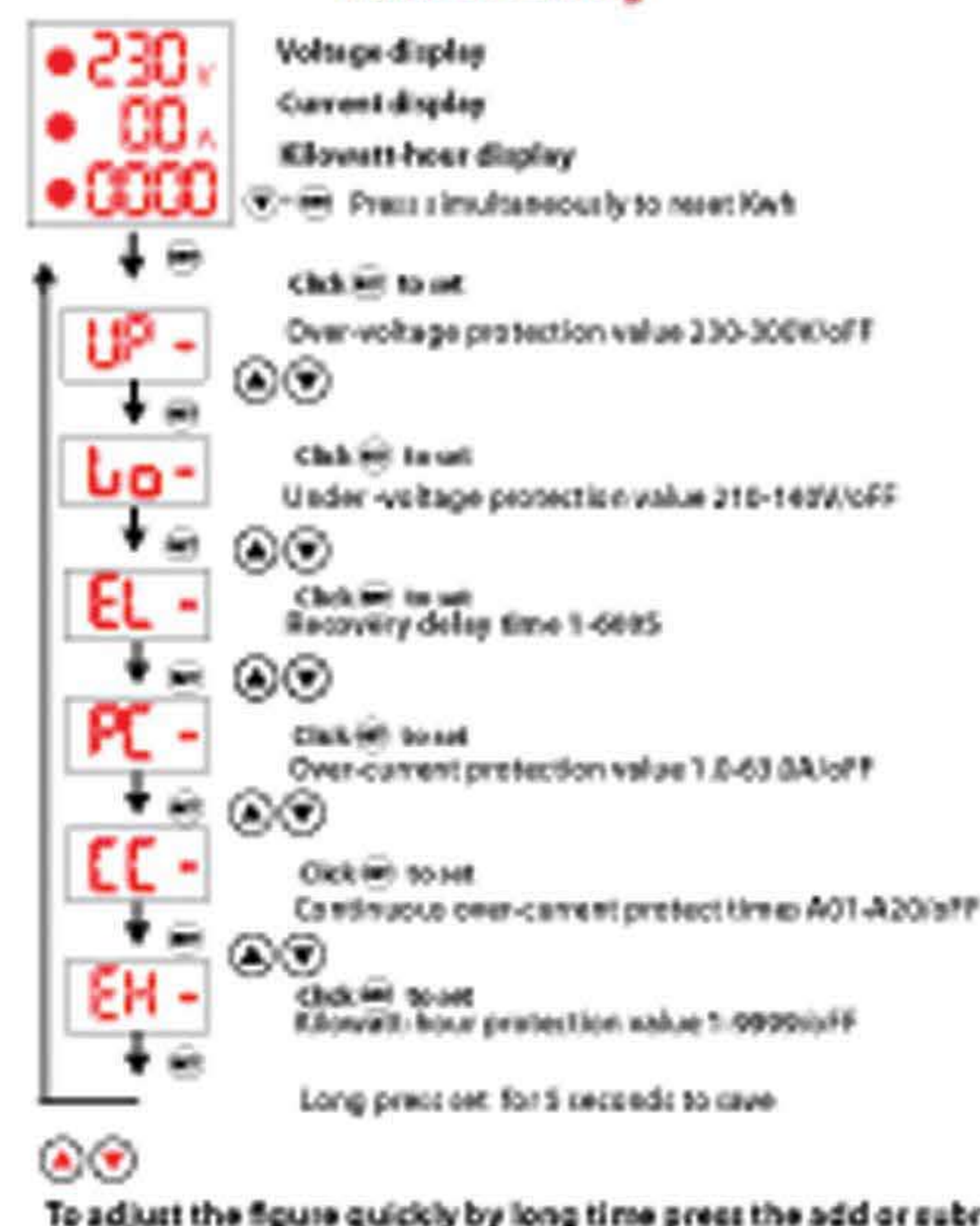
ISP2-VAKWH

Technical Data			
Rated supply voltage	AC 220V	Operation voltage range	AC 80-250V (single phase)
Rated frequency	50/60Hz	Basic current (I _N) setting range	1-4000A/PT
Overvoltage/Under-voltage Range	230-300V/OFF	Under-voltage/Over-voltage Range	210-140V/PT
Kilowatt-hour protection value	1-9999kWh	Rated Current	40KA (subject to product label)
ULNUL Trip Delay	0-5S	Reset/Start Delay	1-600S
Voltage measurement accuracy	2% (for working and rest)	Rated Insulation Voltage	400V
Output contact	1No	Electrical life	10 ⁴
Mechanical life	10 ⁴	Protection Degree	IP20
Pollution Degree	3	Absorb	$\leq 2000m$
Operating temperature	-50°C ~ 55°C	Humidity	$\leq 95\%$ RH (without condensation)
Storage temperature	-30°C ~ 70°C		

Default setting			
Technical Parameter	Setting range	Step	Factory Setting
Over-voltage Protection Value	AC230-300V/PT	1V	AC230V
Under-voltage Protection Value	AC210-140V/PT	1V	AC190V
Recovery delay time	1-600S	1S	5S
Over-current protection value	1-4000A/PT	1A	5A
Continuous over-current protect time	1-200OFF	1	OFF
Kilowatt-hour protection value	1-9999kWh	1	200

Current Specification	15A	25A	30A	50A	60A
Rated Operating current (I _N)	15	25	30	50	60
Max Operating Current (I _N) (within 10 min)	25	30	40	60	90
Max power of load (kW)	30	55	7	11	120

Function setting



Wiring and shape dimension



محافظ هوشمند ولتاژ/تک فاز
Intelligent Voltage 1P

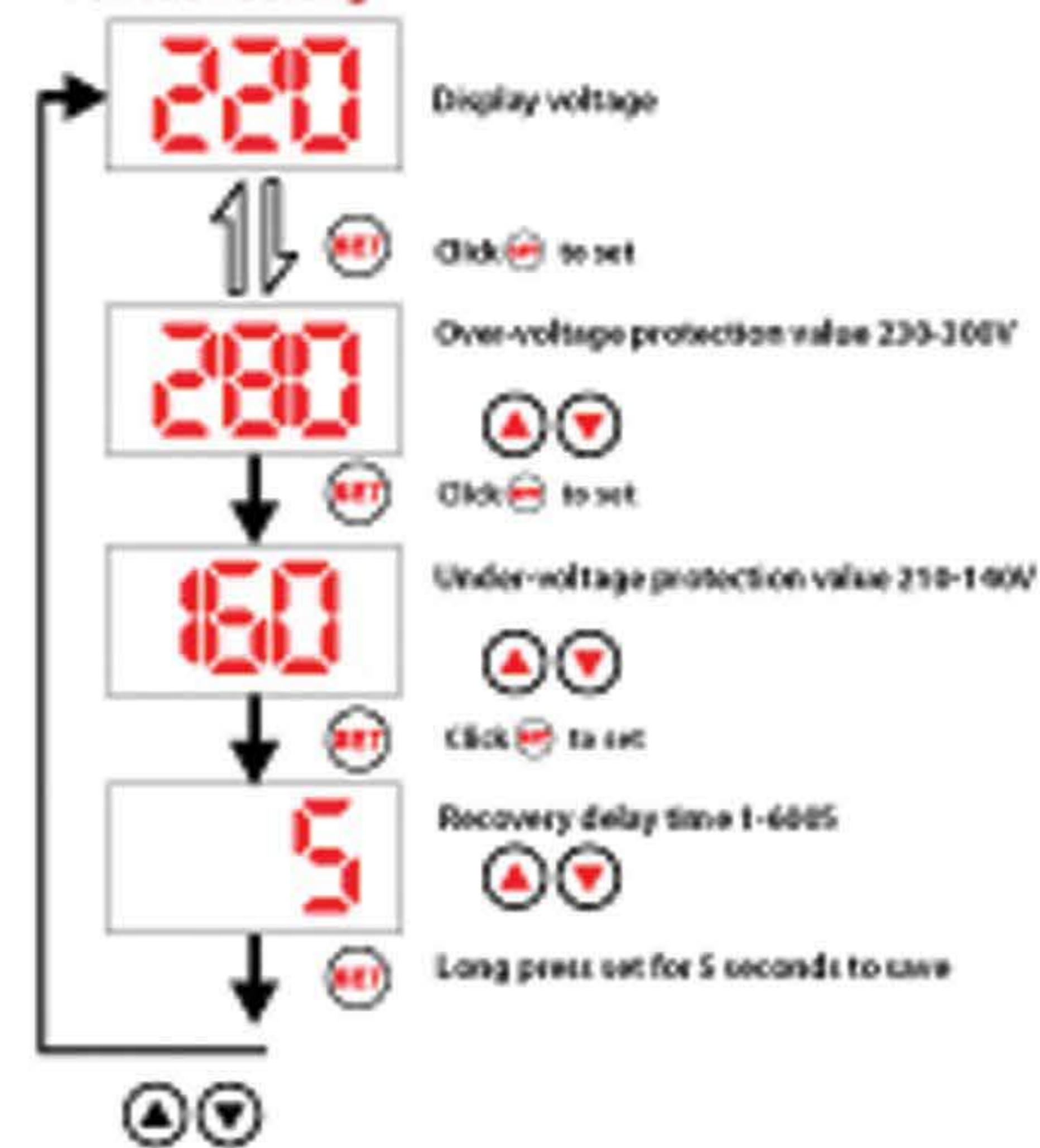


ISP3-V

Technical Data			
Rated supply voltage	AC 220V	Operation voltage range	AC 80-250V
Rated frequency	50/60Hz	Overvoltage/Under-voltage Range	230-300V
Overvoltage/Under-voltage Range	230-300V	Rated Current	400A (subject to product label)
ULNUL Trip Delay	0-5S	Reset/Start Delay	1-600S
Voltage measurement accuracy	2% (for working and rest)	Rated Insulation Voltage	400V
Output contact	1No	Electrical life	10 ⁴
Mechanical life	10 ⁴	Protection Degree	IP20
Pollution Degree	3	Absorb	$\leq 2000m$
Operating temperature	-50°C ~ 55°C	Humidity	$\leq 95\%$ RH (without condensation)
Storage temperature	-30°C ~ 70°C		

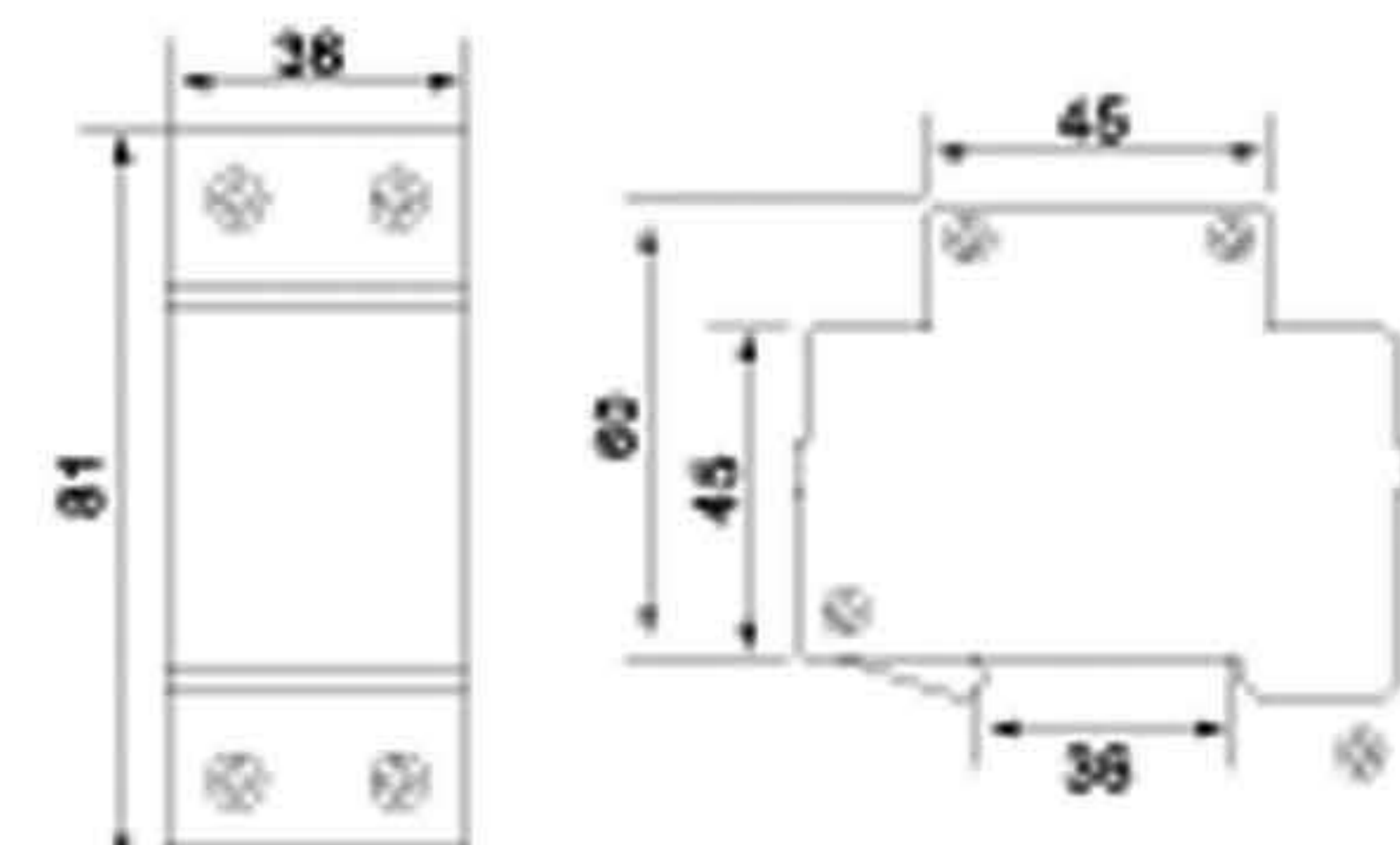
Default setting			
Technical Parameter	Setting range	Step	Factory Setting
Over-voltage Protection Value	230-300V	1V	230V
Under-voltage Protection Value	210-140V	1V	190V
Recovery delay time	1-600S	1S	5S

Function setting



To adjust the figure quickly by long time press the add or subtract key

Wiring and shape dimension



نمایشگر ولتاژ تک فاز / سه فاز
Intelligent Voltage Indicator 1P/3P

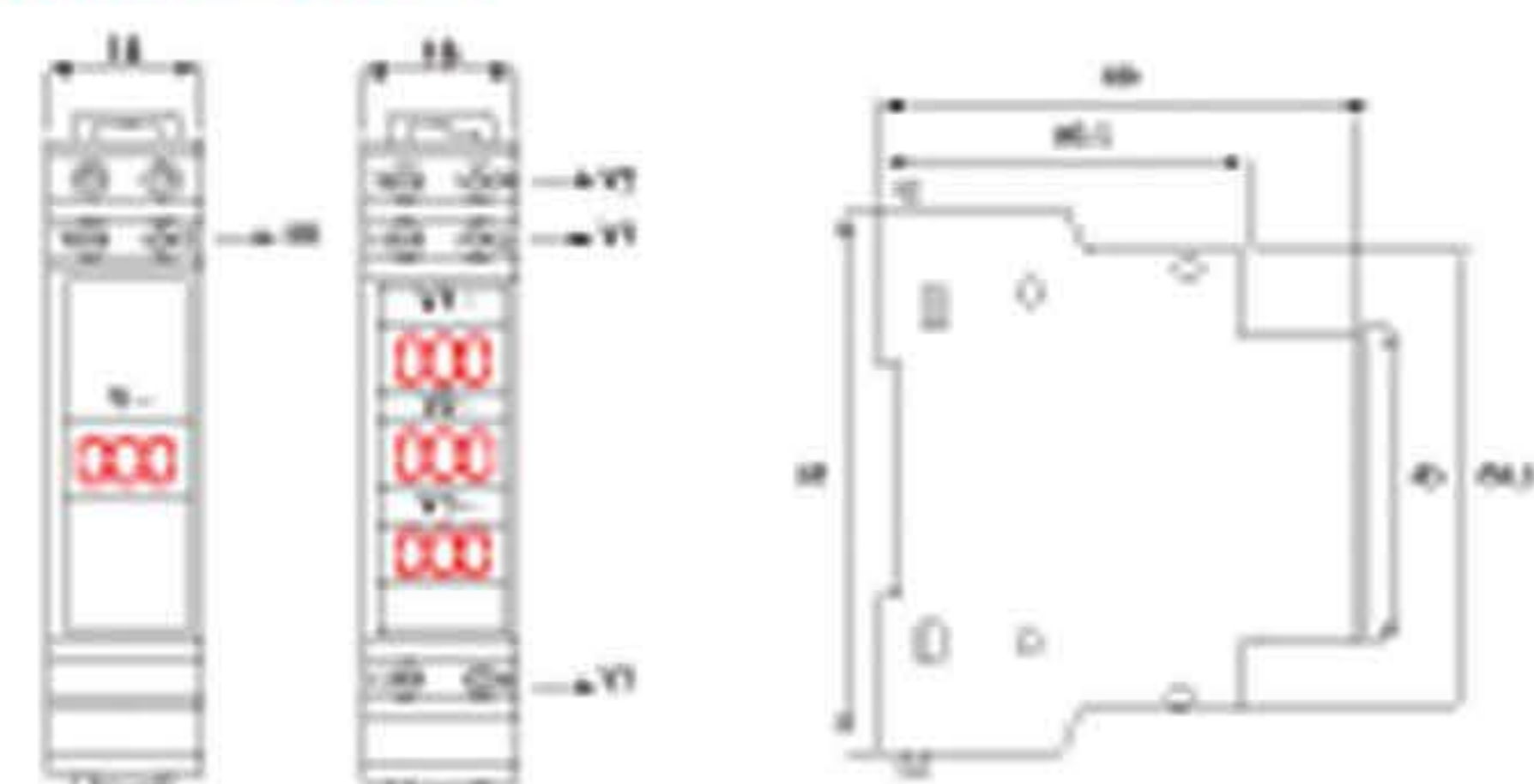


Technical Parameter

Voltage Display Range	AC 85V-220V
Frequency Range	AC 50-60Hz
Color	Red
Discrepancy Range	±2%
Rated Insulation Voltage	660V
Sampling Rate	30ms
Input loop power consumption	<2mA
Reliability	>1000h
Ambient Temperature	-40~55°C
Humidity	5% and 92% C Condensation free
Storage Temperature	-35°C~72°C

• This product is prohibited using for frequency conversion, inverter, for power environment with high harmonic interference.

Product Dimensions



نمایشگر آمپر تک فاز / سه فاز
Intelligent Amper Indicator 1P/3P

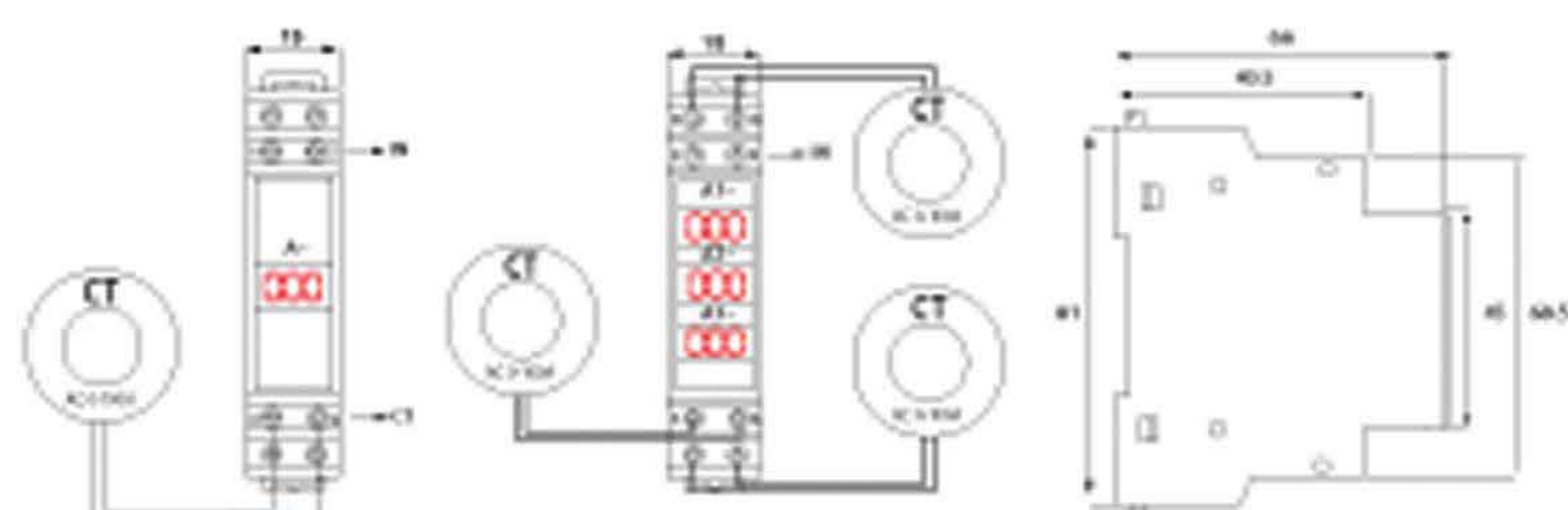


Technical Parameter

Supply Voltage / Frequency Range	AC 85V-220V / 50-60Hz
Current Range	AC 0-100A
Color	Red
Discrepancy Range	±2%
Rated Insulation Voltage	660V
Sampling Rate	30ms
Input loop power consumption	<2mA
Reliability	>1000h
Ambient Temperature	-40~55°C
Humidity	5% and 92% C Condensation free
Storage Temperature	-35°C~72°C

• This product is prohibited using for frequency conversion, inverter, for power environment with high harmonic interference.

Product Dimensions



نمایشگر مولتی فانکشن
ولتاژ/ جریان / فرکانس / ضریب توان / مصرف انرژی / توان
Voltage/ Current/ Frequency/ PF/W/KWH 1P



ISS2-2086

Technical Parameter

Accuracy	1%±2 words
Range	AC voltage AC 40.8-208.0V or AC 200.0-450.0V (You should select the range of the meter in your order) AC current 0.1-99.9A (You should order current transformer when current is higher than 100A independent) Frequency 45.0 to 65.0 Hz Power Factor 0.00-1.00 PF Electric Power 0-4999.99Wh (the electric power resolution is 0.1 Wh when measure electric power between 0-3200.0Wh otherwise for electric power resolution is 1 Wh) Electric Energy 0-9999.9kWh (the display of electric energy resolution is 0.1 kWh when measure electric energy between 0-999.9kWh, the display of electric energy resolution is 1 kWh when measure electric energy between 1000.0-9999.9kWh and the display of electric energy resolution is 1 kWh when measure electric energy larger than 9999.9kWh)
Sampling rate	2 times per second
Size	54*52*64 mm
Installation	DIN rail

Application Method

- 1- Connect the measure voltage to the 1 and 2 terminal
- 2- Connect the meter with external current transformer as graph 1. Make the wire through the hole in the hole in the meter and the direction of wire clockwise
- 3- Connect one of meter with external current transformer as graph 2. Make the wire through the hole in the meter, and connect the two wires of the secondary transformer to the 3 and 4 terminal
- 4- when power on, the meter display the measure parameters
- 5- when power on, you can press the button of LHM OK for 5 seconds, then the electric energy will be zero and start to calculate when release the button and when power off, the meter can save the value of total energy and go on accumulating data when the meter power on next.

نمایشگر مولتی فانکشن (طرح سینگل)
ولتاژ/ جریان / فرکانس / ضریب توان / مصرف انرژی / توان
Voltage/ Current/ Frequency/ PF/W/KWH 1P



Technical Parameter

accuracy	1%
Display mode	0.5 inch LED digital tube
Range	AC voltage 50-208V/ 200-450V (You should select the one of measuring range in your order) AC current 0.1-99.9A (You should order current transformer when current is higher than 100A independent)
Sampling Rate	2 per second
Size	54*50*64 mm
Installation	DIN rail

• This product is prohibited using for frequency conversion, inverter, for power environment with high harmonic interference.

Application Method

- 1- According to the wiring diagram, connect the plug terminals of the current transformer to transformer the input in meter, make the current conductor across the hole which in the middle of the current transformer
- 2- Connect the voltage measurement to the voltage input terminal of the meter, then turn on and measure the voltage to start to accumulate data
- 3- The electric energy read button on the right. Bottom of the meter, you can press the button with a needle tool for
- 4- Second, then the electric energy will be read



راهکاری برای هر روز

شرکت فنی و مهندسی اصفهان سوئیچ به عنوان یک شرکت دانش بنیان فعالیت خود را از سال ۱۳۹۳ آغاز کرد. آغاز به کار فعالیت این شرکت در راستای ارائه محصولات و خدمات در خور و شایسته متخصصین صنعت برق کشور بوده است و همیشه سعی نموده ایم با تمرکز بر مشتری مداری و تلاش مجدانه جهت نیل به کیفیت بالاتر تمامی محصولات و توجه ویژه به الزامات زیست محیطی به عنوان عضوی از جامعه جهانی مهیا باشیم و در تمام زمینه ها در جهت تامین تقاضای روزافزون مشتریان با تمام قوا تلاش کنیم.

ما در این مجموعه برای حرکت رو به جلو و دست یابی به موفقیت های آتی خود و کسب بازارهای متعدد داخلی و خارجی به مدد باری تعالی، حصول رضایتمندی مشتریان و خشنودی کارکنان، باور داریم.

این مجموعه با بهره وری از منابع متخصص در زمینه بازرگانی و تولید و مدیریت بازار و به کارگیری از استراتژی های مهم در صدد تامین و تولید مایحتاج کارشناسان بازار، تابلو سازان برقی و تولیدکننده دستگاه های صنعتی می باشد و گام به گام تلاش نموده است با همکاری مدیران و کارکنان زحمتکش و خدوم، با کار موثر و بهره وری بالا در جهت رشد روز افزون صنعت این مرز و بوم حرکت کرده و در مسیر جهش تولید گام بردارد.

تولید محصولات با کیفیت، مطابق با استانداردهای EN/IEC60947-5-1 و استانداردهای اروپایی از جمله اهداف نیروهای فنی و مهندسی شرکت می باشد و امید داریم با ارتقا روز به روز سطح کیفی محصولات، جمله " ما میتوانیم" را به معنای واقعی کلمه محقق سازیم.

با آرزوی موفقیت - اصفهان سوئیچ

Made to Last . . .

آی-سویچ الکترونیک

راهکاری برای هر روز

Address:
No. 8, 6th ST, Phase III, Mobarakeh Industrial
Area, Isfahan, Iran
Zip Code: 8486135491
Tel: +98 31 970 900 39
Email: info@isfahanswitch.com
Website: www.isfahanswitch.com
Instagram: [isfahanswitch](https://www.instagram.com/isfahanswitch)

